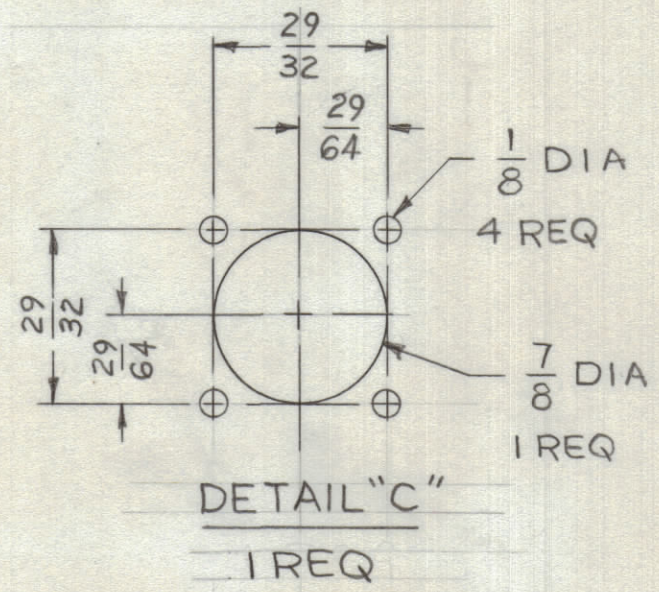
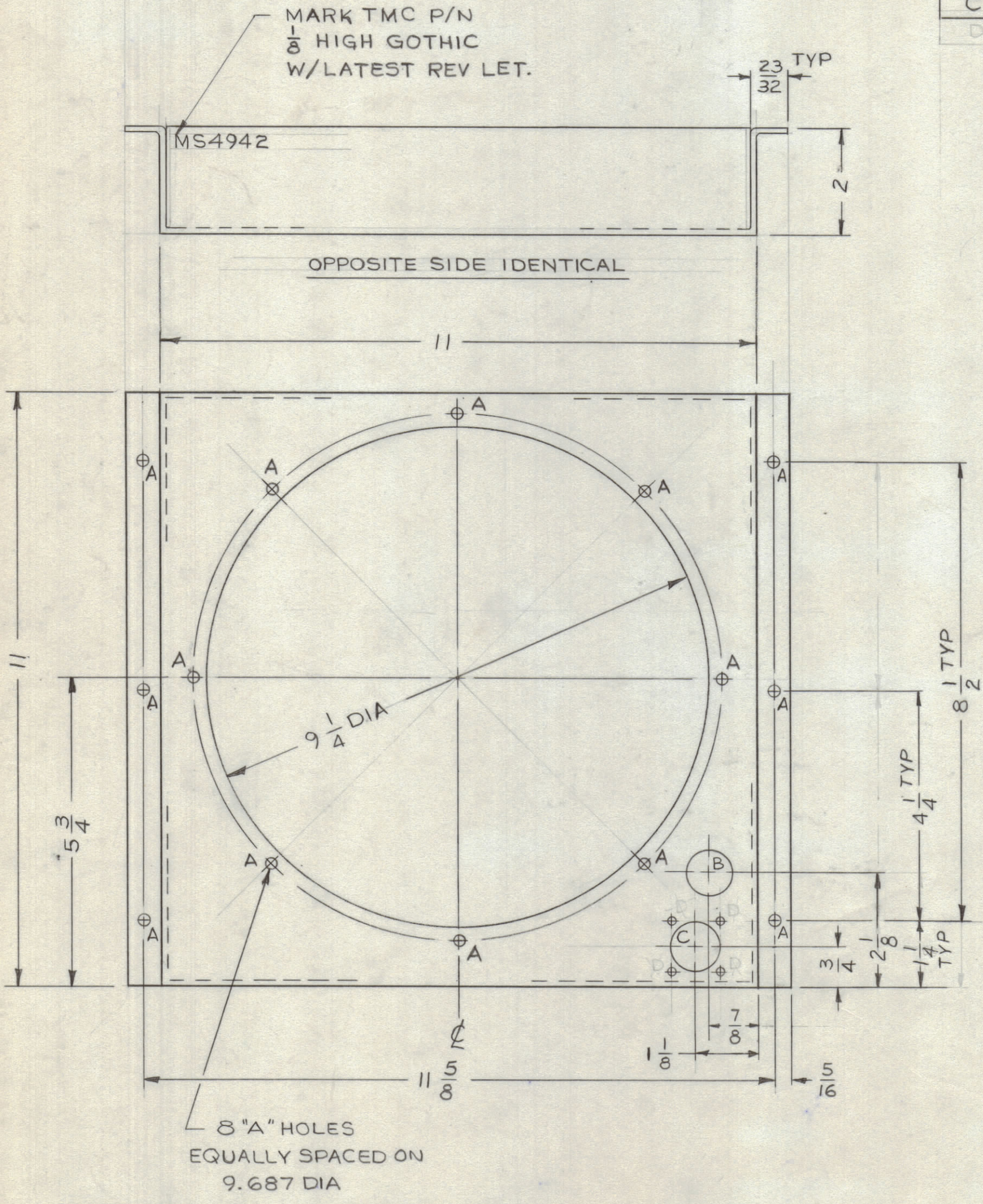


REVISIONS							
ZONE	SYM	DESCRIPTION	DATE	E.M.N. NO.	DRAFT	CHKD	APPD
02	Ø	ORIGINAL RELEASE FOR PRODUCTION	7/10/69		W		

HOLE	DESCRIPTION	REQ
A	3/16 DIA	14
B	13/16 DIA	1
C	SEE DETAIL	1
D	SEE DETAIL	4



- UNLESS OTHERWISE SPECIFIED:
1. USE MATERIAL THICKNESS FOR MAXIMUM RADIUS ON ALL BENDS
 2. ALL ANGULAR BENDS 90 DEGREES
 3. REMOVE ALL BURRS AND SHARP EDGES
 4. ALL SEAMS TIGHT

QTY./UNIT	MODEL USED ON	ASS'Y. NO.
5	DDRR-506	
SCALE	CODE	
V2		

REQ'D.	ITEM	PART NUMBER	DESCRIPTION	SYMBOL
LIST OF MATERIAL				
MATERIAL		THE TECHNICAL MATERIEL CORP.		
.081 ALUMINUM		MAMARONECK, NEW YORK		
5052-H32				
FINISH		TITLE		
S404 YEL IRIDITE		CHASSIS, BLOWER		
UNLESS OTHERWISE SPECIFIED		DRAWN		DATE
DIMENSIONS ARE IN INCHES AND INCLUDE		C. HOFFMANN		6-2-66
CHEMICALLY APPLIED OR PLATED FINISHES		CHECKED		DATE
		[Signature]		6-15-66
		ELECT. DES.		DATE
		[Signature]		
		MECH. DES.		DATE
		[Signature]		6-15-66
		SHEET		REV. LTR.
		MS4942		Ø