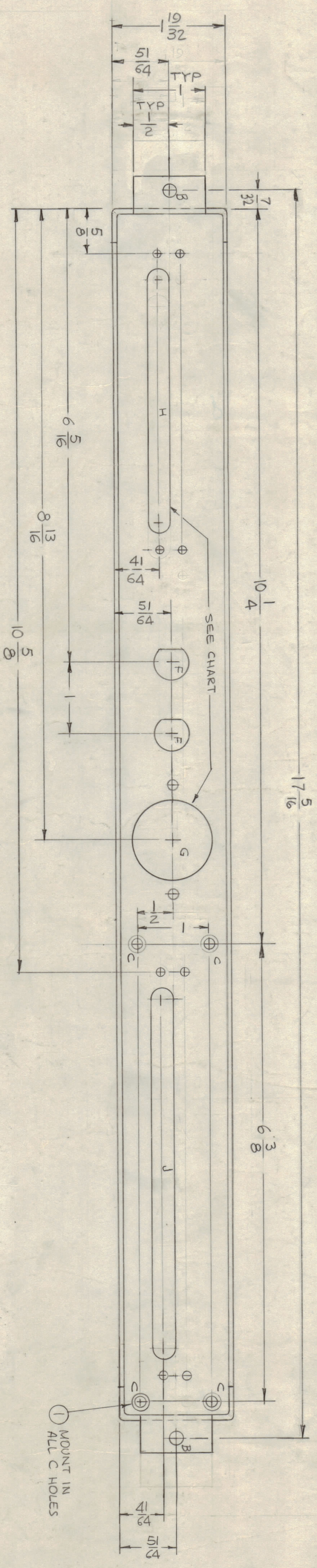
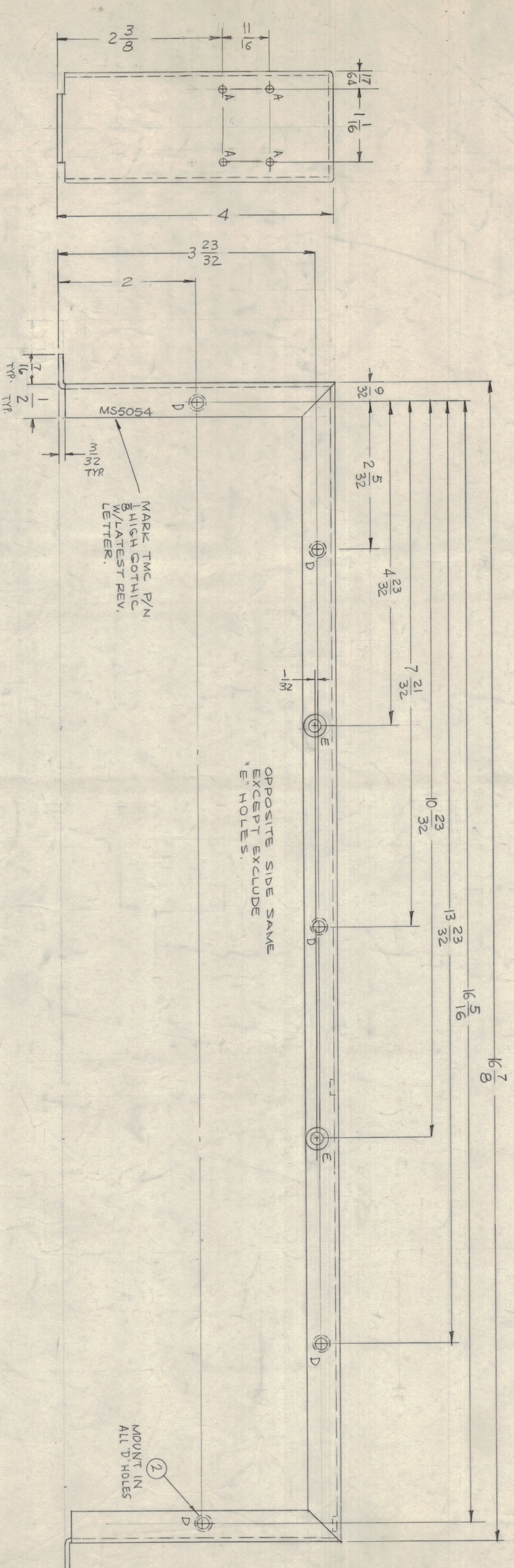


ZONE	REV	DESCRIPTION	DATE	E.M.N. NO.	DRAWN	CHKD	APPR
X	1	EXP. RELEASE	8/28/44	X			
X	2	17-5014AS 17-304, 7/32 WAS 1/4, 7/16 WAS 5/16	9/9/44	X			
✓	3	ORIGINAL RELEASE FOR PRODUCTION	12/20/44	✓			

REVISIONS

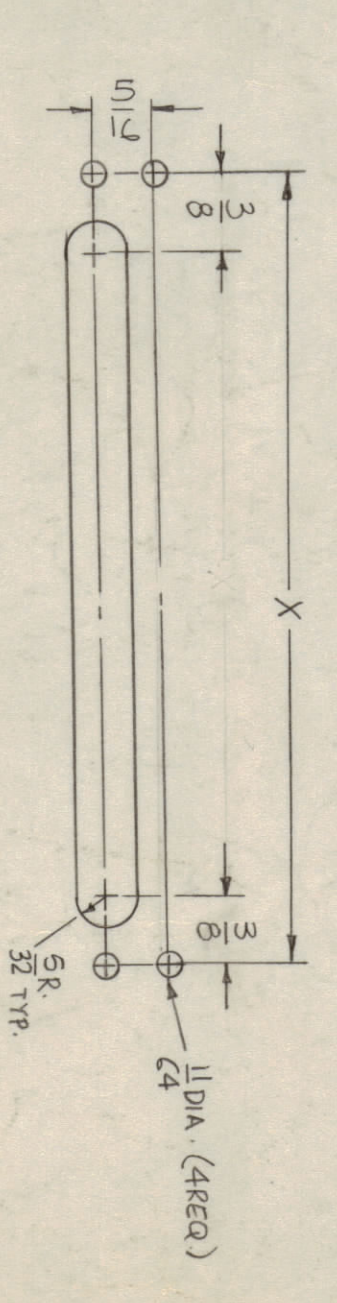
HOLES	DESCRIPTION	REQ.
A	9/64 DIA.	4
B	13/64 DIA.	2
C	1/16-1/64 DIA.	4
D	.191 - .194 DIA.	10
E	1/4 DIA. C/SINK 82° TO 284/100	2
F	SEE DETAIL	2
G	SEE CHART	1
H	SEE CHART	1
J	SEE DETAIL	1



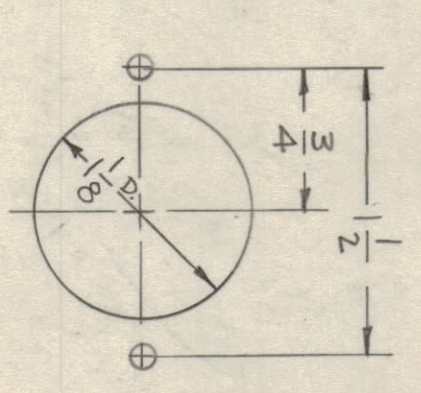
TMC P/N	DETAIL-G	DETAIL-H	USED ON
MS5054-1	NOT REQ.	REQ.	AX 633
MS5054-2	REQ.	REQ.	AX 642
MS5054-3	NOT REQ.	NOT REQ.	AX 647

- UNLESS OTHERWISE SPECIFIED:
1. USE MATERIAL THICKNESS FOR MAXIMUM RADIUS ON ALL BENDS
 2. ALL ANGULAR BENDS 90 DEGREES
 3. REMOVE ALL BURRS AND SHARP EDGES
 4. MOUNT INSERTS AFTER FINISHING

NOTES



DETAIL - G



DETAIL - F

DETAIL	X
H	4-1/8
J	5-5/8

REF.	LDZ156	DESCRIPTION	SYMBOL
10	2	NUT, PLAIN, SPLINE	D
4	1	NUT, PLAIN, SPLINE	C

LIST OF MATERIAL

REF.	QTY.	UNIT	DESCRIPTION	SYMBOL
1	1	PCB	CHASSIS, MAIN, MONITOR PANEL	