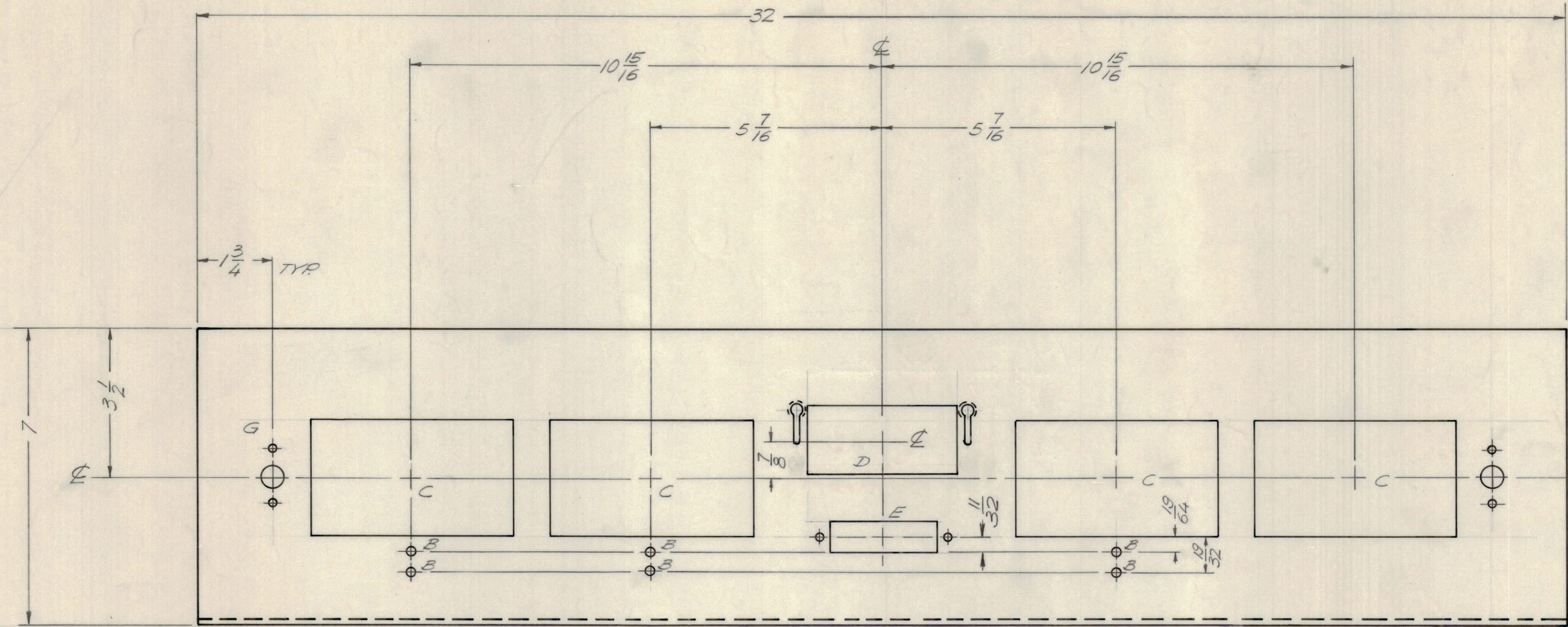
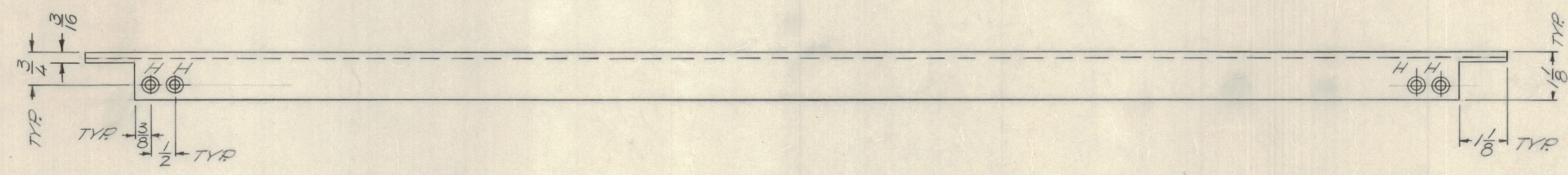


REVISIONS							
E.M.N.NO	DRAFT	CHKD	ZONE	LTR	DESCRIPTION	DATE	APPROVED
	GE			X2	REDRAWN	12.15.69	
				B	ORIGINAL RELEASE FOR PRODUCTION	1/14/70	
19737	G.E.			A	DETAIL D CENTER LINE REMOVED & 15/16 DIM ADDED	1/26/70	
19822	GLA			B	1/32 DIM # 2 SYMB. TO C # D DETAIL ADD	4/22/70	



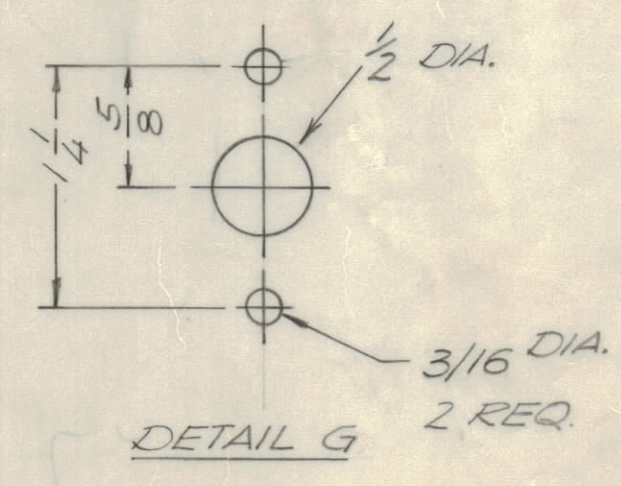
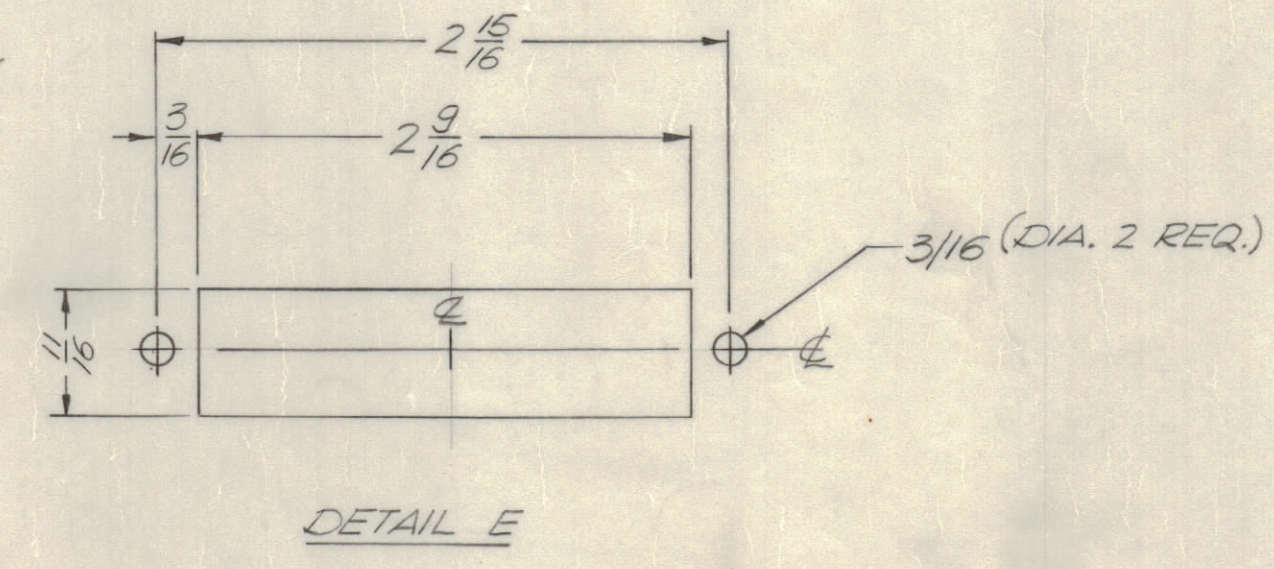
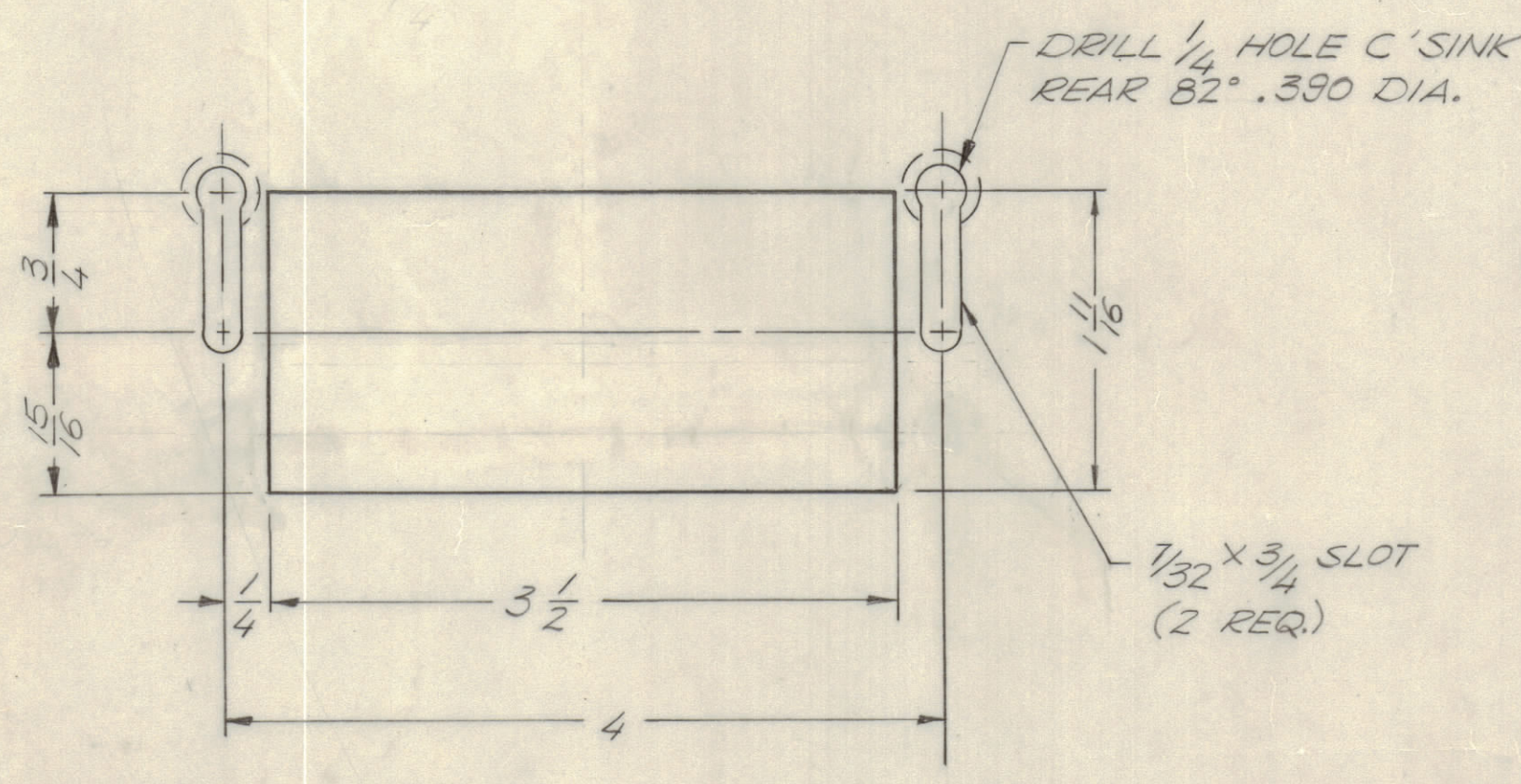
REFERENCE FOR MACHINING EDGES (BOTH ENDS)
BEND PANEL BEFORE MACHINING.



UNLESS OTHERWISE SPECIFIED
1. USE MATERIAL THICKNESS FOR MAXIMUM RADIUS ON ALL BENDS.
2. ALL ANGULAR BENDS 90° DEGREES.
3. REMOVE ALL BURRS AND SHARP EDGES.

FINISH NOTES
1. S404 - IRIDITE 14-2 AL - COAT.
2. S114 - ZINC CHROMATE PRIMER } FRONT AND
3. S115 - SMOOTH GRAY ENAMEL } EDGES ONLY
OR
PRIME AND PAINT PER CUSTOMER'S SPECIFICATIONS

HOLE	DESCRIPTION	QTY
B	3/16 DIA.	6
C	2 3/4 x 4 13/16	4
D	SEE DETAIL	1
E	SEE DETAIL	1
G	SEE DETAIL	2
H	Ø832 C'SINK Ø2	4



REF. LD 2367

QTY / UNIT	MODEL USED ON	ASS'Y NO.
1	PALA-10K	AX 5083
APPLICATION		
CODE		
MATERIAL 1/8 ALUM 5052 H32		
FINISH SEE NOTES		

UNLESS OTHERWISE SPECIFIED DIMENSIONS ARE IN INCHES AND INCLUDE CHEMICALLY APPLIED OR PLATED FINISHES

TOLERANCES ON
DECIMALS .X ± .05
.XX ± .01
.XXX ± .005

FRACTIONS ± 1/64
ANGLES ± 0° - 30'

QTY. REQ.	ITEM	PART NO.	DESCRIPTION	SYMBOL
LIST OF MATERIAL				
FINAL APPROVAL: [Signature] DATE: 1-8-70				
MECH. DES. ALP. DATE: 1-8-70				
ELECT. DES. HVC DATE: 1-5-70				
CHECKED: [Signature] DATE:				
DRAWN: EVANGELIST DATE: 12.15.69				
THE TECHNICAL MATERIEL CORP. MAMARONECK, NEW YORK				
PANEL, METER				
SIZE	CODE	IDENT NO.	DWG NO.	ISSUE
D	82679	MS5508		B
SCALE				SHEET OF

NOTICE TO PERSONS RECEIVING THIS DRAWING
THE TECHNICAL MATERIEL CORPORATION claims proprietary right in the material disclosed herein. This drawing is issued in confidence for engineering information only and may not be reproduced or used to manufacture anything shown herein without permission from THE TECHNICAL MATERIEL CORPORATION to the user. This drawing is loaned for mutual assistance and is subject to recall at any time.