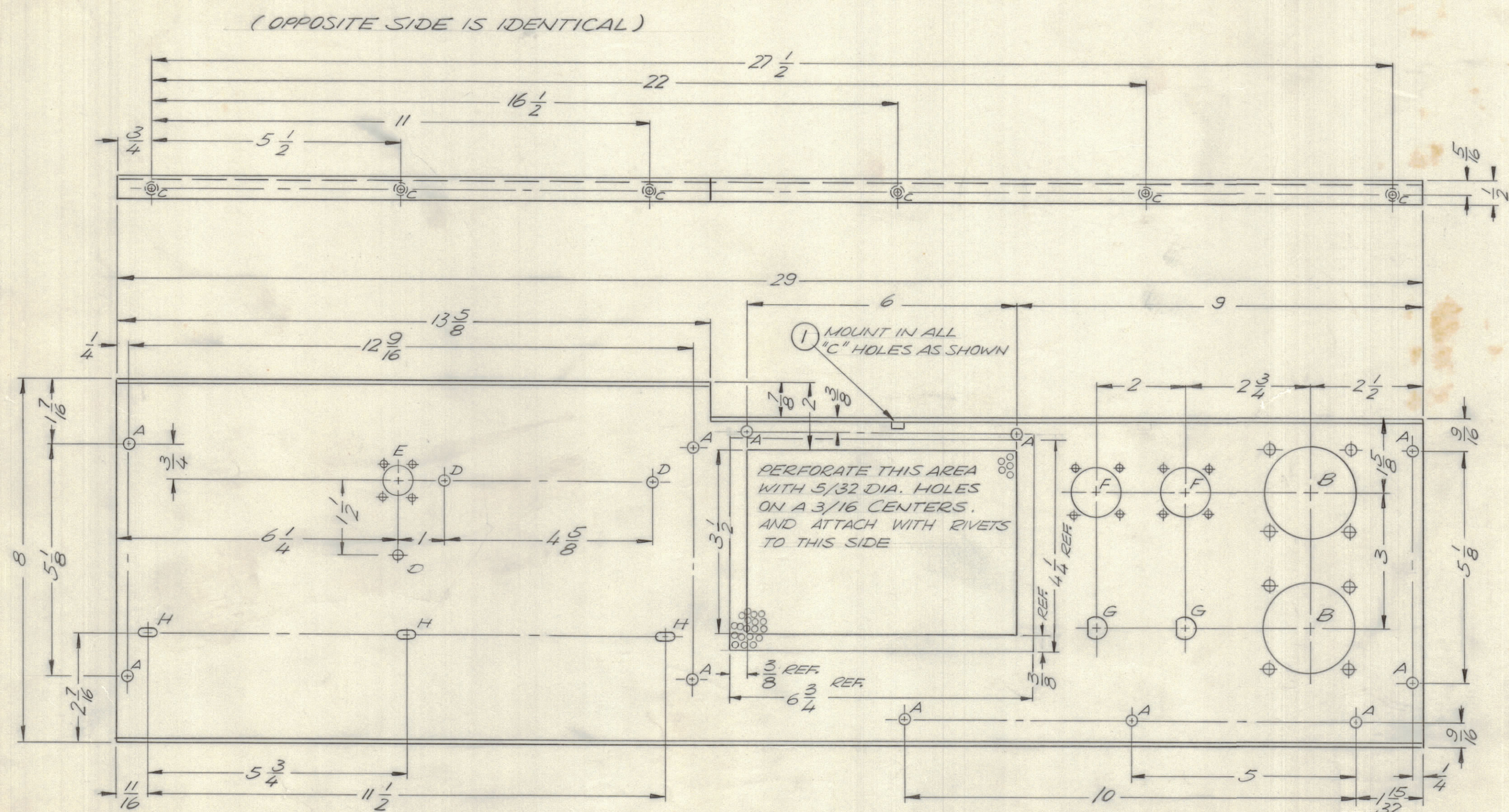
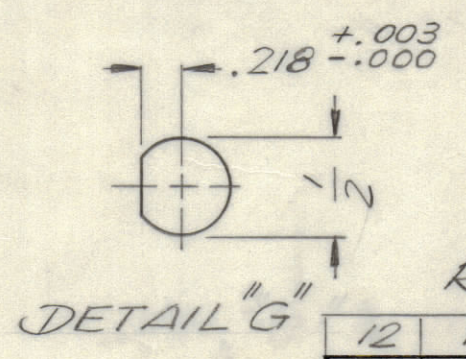
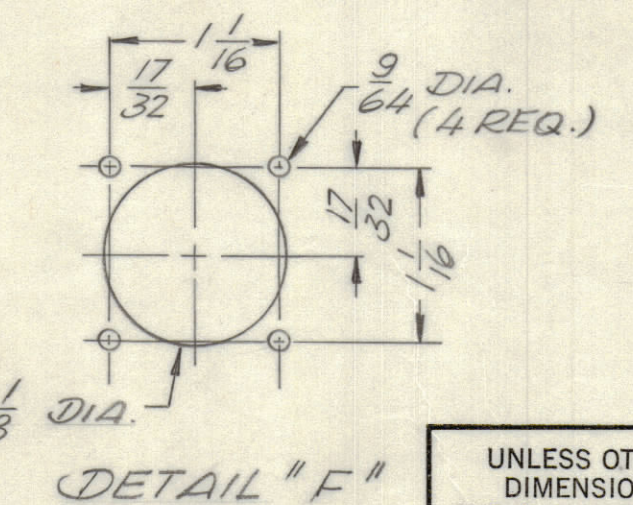
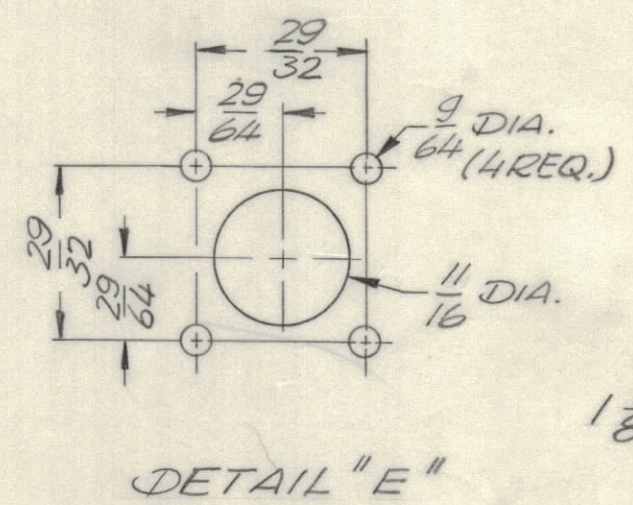
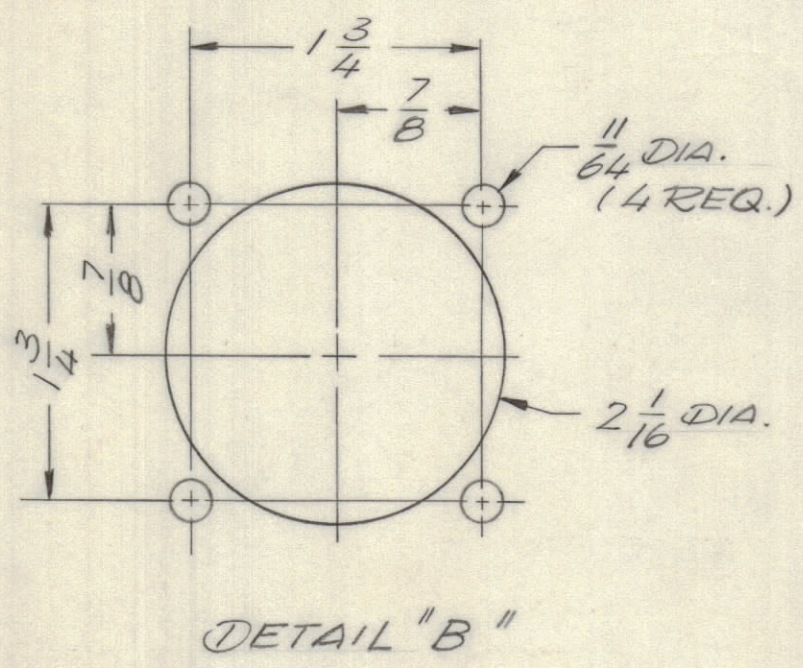


REVISIONS							
E.M.N.NO	DRAFT	CHKD	ZONE	LTR	DESCRIPTION	DATE	APPROVED
	4			X3	REDDAWN	10/23/69	
	5			B	ORIGINAL RELEASE FOR PRODUCTION	1/14/70	
19904	GE		C-4	A	ADDED ONE 'O' HOLE	5/20/70	FB



HOLE	DESCRIPTION	REQ.
A	13/64 DIA	11
B	SEE DETAIL	2
C	.191-.194 DIA.	12
D	15/64 DIA.	3
E	SEE DETAIL	1
F	SEE DETAIL	2
G	SEE DETAIL	2
H	5/32 x 1/4 SLOT	3



QTY. REQ.	ITEM	PART NO.	DESCRIPTION	SYMBOL
12	1	NT129-0632-4	NUT, ROUND, SWAGE TYPE	C

F. BUDETTI		LIST OF MATERIAL	
FINAL APPROVAL	DATE 1-12-70	THE TECHNICAL MATERIEL CORP. MAMARONECK, NEW YORK REAR PANEL (DRIVER)	
MECH. DES. ALP	DATE 1-12-70		
ELECT. DES. AG7	DATE 1-9-70		
CHECKED	DATE		
DRAWN	DATE 10/23/69		

1	PALA 10K	BMA 396
QTY / UNIT	MODEL USED ON	ASS'Y NO.
APPLICATION		
CODE		

NOTICE TO PERSONS RECEIVING THIS DRAWING
 THE TECHNICAL MATERIEL CORPORATION claims proprietary right in the material disclosed hereon. This drawing is issued in confidence for engineering information only and may not be reproduced or used to manufacture anything shown hereon without permission from THE TECHNICAL MATERIEL CORPORATION to the user. This drawing is loaned for mutual assistance and is subject to recall at any time.

UNLESS OTHERWISE SPECIFIED DIMENSIONS ARE IN INCHES AND INCLUDE CHEMICALLY APPLIED OR PLATED FINISHES	
TOLERANCES ON	
DECIMALS	FRACTIONS
.X ± .05	± 1/64
.XX ± .01	ANGLES
.XXX ± .005	± 0° -30°
MATERIAL	.081 ALLUM.
	5052 - H32
FINISH	S404 YEL. IRIDITE

SIZE	CODE IDENT NO.	DWG NO.	ISSUE
C	82679	MS 5562	A

SCALE 1:2 SHEET OF