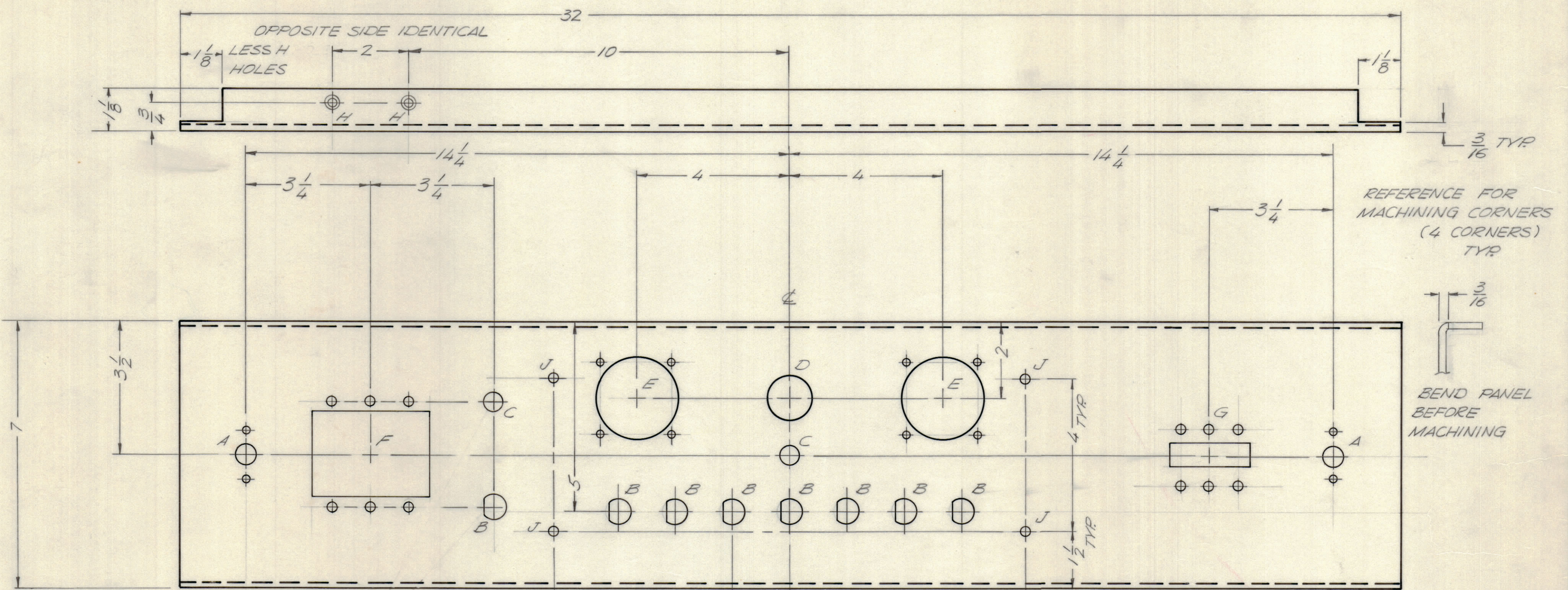


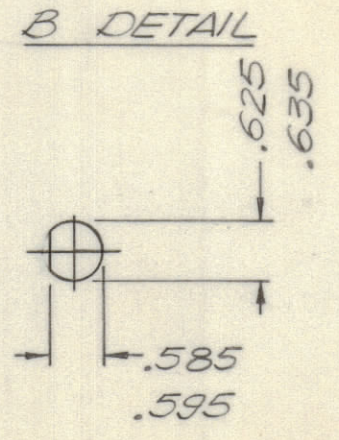
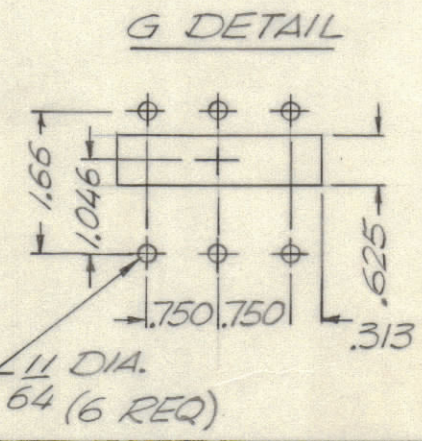
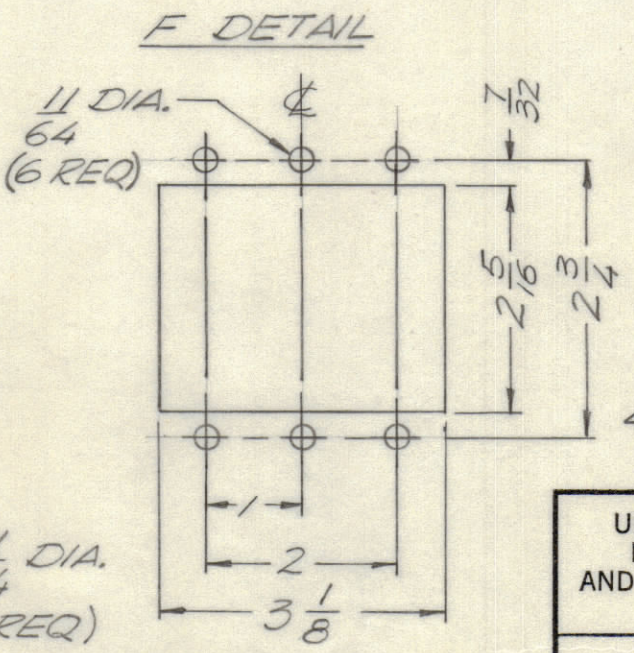
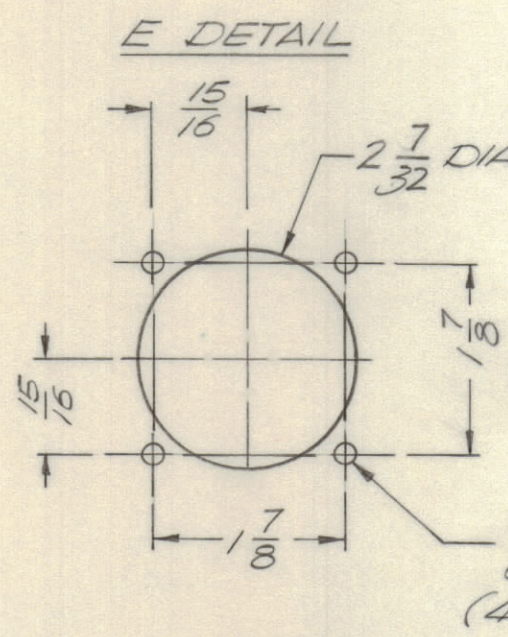
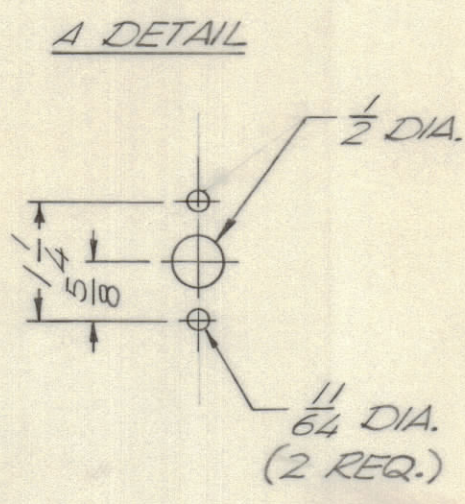
REVISIONS							
E.M.N.NO	DRAFT	CHKD	ZONE	LTR	DESCRIPTION	DATE	APPROVED
	GE			Xs	REDRAWN	12-17-69	
	(1)			Ø	ORIGINAL RELEASE FOR PRODUCTION	1/14/70	
20832	GE	sj		A	E DET. 2 7/32 DW 2 3/16 - CHLE WAS 15/32	8-15-72	sj



FRONT VIEW SHOWN

FINISH NOTES
 1. S404-IRIDITE 14-2 AL-COAT (FRONT & EDGES ONLY)
 2. S114-ZINC CHROMATE PRIMER
 3. S115-SMOOTH GRAY ENAMEL OR PRIME AND PAINT PER CUSTOMERS SPECIFICATIONS.

HOLE	DESCRIPTION	REQ
A	SEE DETAIL	2
B	SEE DETAIL	8
C	1/2 DIA.	2
D	1 3/16 DIA	1
E	SEE DETAIL	2
F	SEE DETAIL	1
G	SEE DETAIL	1
H	O632 C'SNK.82	2
J	13/64 DIA.	4



1	PALA 10K	AX 5081
QTY / UNIT	MODEL USED ON	ASS'Y NO.
APPLICATION		
CODE		

NOTICE TO PERSONS RECEIVING THIS DRAWING
 THE TECHNICAL MATERIEL CORPORATION claims proprietary right in the material disclosed herein. This drawing is issued in confidence for engineering information only and may not be reproduced or used to manufacture anything shown hereon without permission from THE TECHNICAL MATERIEL CORPORATION to the user. This drawing is loaned for mutual assistance and is subject to recall at any time.

UNLESS OTHERWISE SPECIFIED DIMENSIONS ARE IN INCHES AND INCLUDE CHEMICALLY APPLIED OR PLATED FINISHES

TOLERANCES ON
 DECIMALS
 .X ± .05
 .XX ± .01
 .XXX ± .005

FRACTIONS
 ± 1/64
 ANGLES
 ± 0° -30°

MATERIAL 1/8 ALUM
 5052 H32

FINISH SEE NOTES

QTY. REQ.	ITEM	PART NO.	DESCRIPTION	SYMBOL
F. BUDETTI LIST OF MATERIAL REF. LD 2364				
THE TECHNICAL MATERIEL CORP. MAMARONECK, NEW YORK				
PANEL, MAIN, POWER				
SIZE	CODE	IDENT NO.	DWG NO.	ISSUE
C	82679		MS 5603	A
SCALE			SHEET	OF