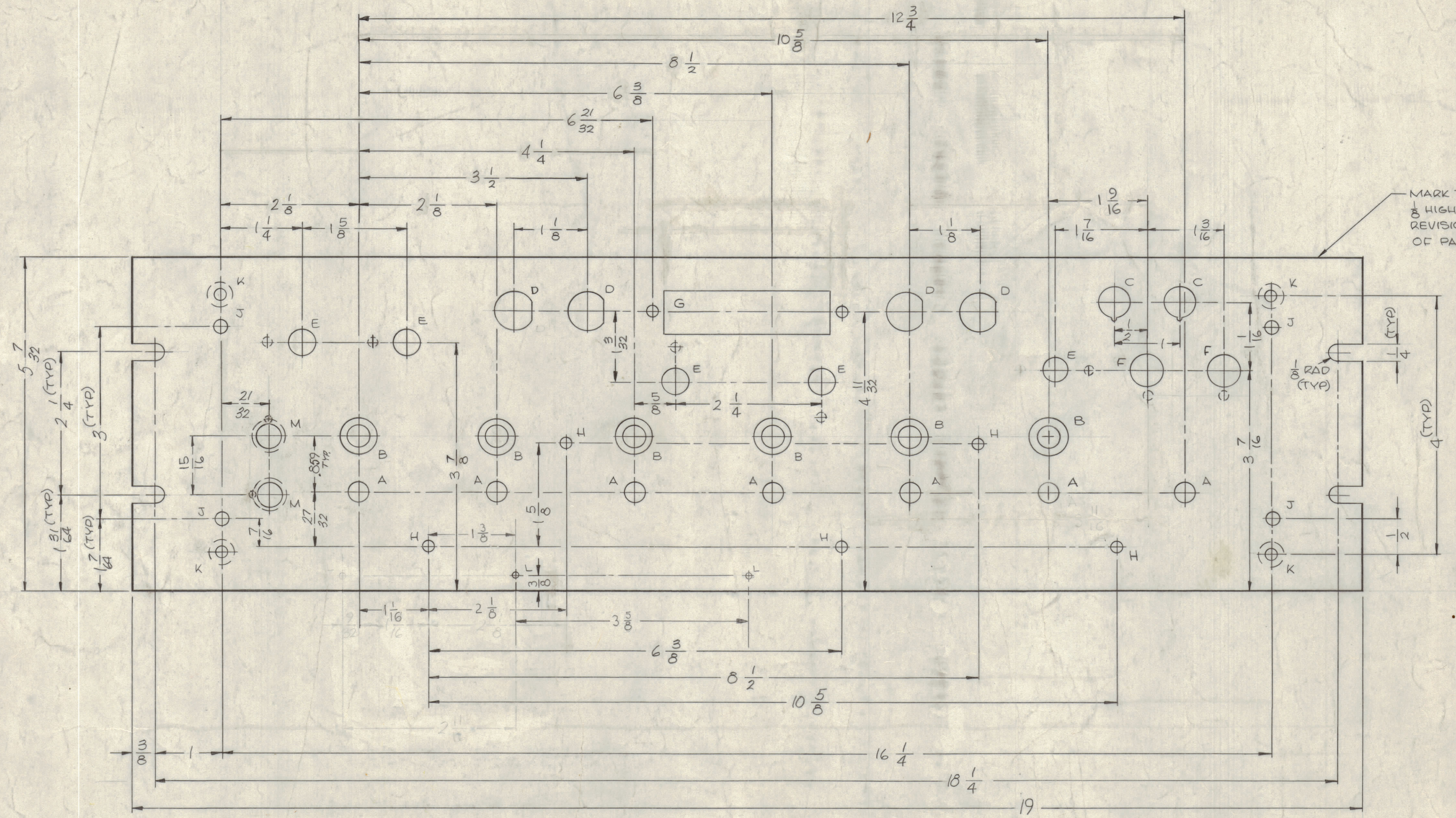


REVISIONS						
ZONE	LTR	DESCRIPTION	DATE	E.M.N.NO	DRAFT	CHKD APPD
	X	EXPERIMENTAL RELEASE	1-17-67			
4C	X1	IN ONE 1/4" HOLE, 9/64" HOLE WAS ON LEFT SIDE	4-17-67	K1	GDL	
	X2	ON DETAIL M DIMS 1/32 WAS 1/16 & 3/32 WAS 1/8	5-3-65	X2	GDL	
	Ø	ORIGINAL RELEASE FOR PRODUCTION	6-27-67	Ø	PG	
	A	TWO (2) "L" HOLE RELOCATED	8-27-67	21700	GDL	



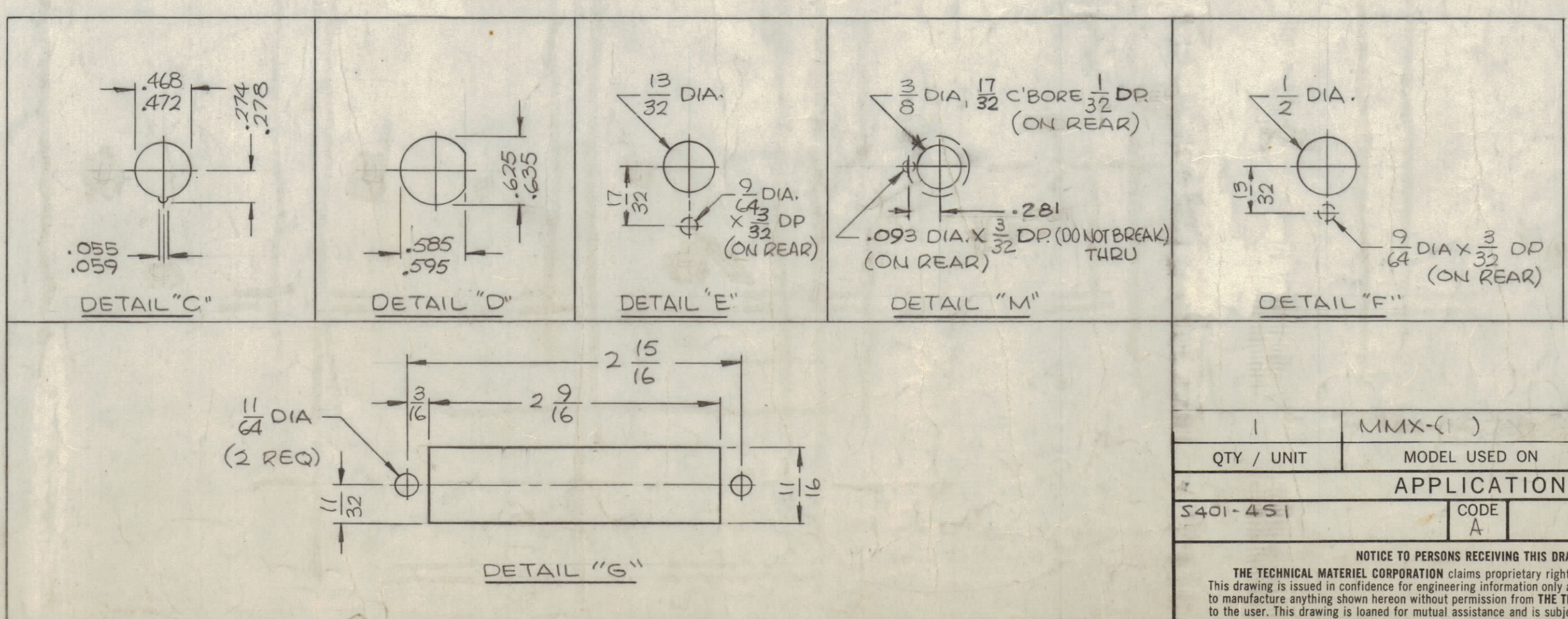
FINISH NOTES:

- S404 - IRIDITE 14-2 AL-COAT.
- S114 - ZINC CHROMATE PRIMER } FRONT AND EDGES ONLY
- S115 - SMOOTH GRAY ENAMEL } OR PRIME AND PAINT PER CUSTOMER'S SPECIFICATIONS.

MACHINING:

- MILL ALL EDGES.
- HOLES MUST BE DRILLED, UNLESS OTHERWISE SPECIFIED.
- LATERAL BOW OF PANEL MUST BE KEPT TO .031 TOLERANCE.
- PANEL MUST BE FREE OF ALL MACHINING MARKS, GOUGES AND SCRATCHES. IF NECESSARY, SAND FRONT OF PANEL WITH NO. 120 GRIT SANDPAPER.

HOLE	DESCRIPTION	REQ
A	5/16 DIA	7
B	11/32 DIA, 82° C'SK TO 19/32 DIA	6
C	SEE DETAIL	2
D	SEE DETAIL	4
E	SEE DETAIL	5
F	SEE DETAIL	2
G	SEE DETAIL	1
H	11/64 DIA	5
J	13/64 DIA	4
K	.192 DIA, 82° C'SK TO .390 DIA (ON REAR)	4
L	.076 DIA	2
M	SEE DETAIL	2



1	MMX-()	100
QTY / UNIT	MODEL USED ON	ASS'Y NO.
APPLICATION		
S401-451	CODE A	
NOTICE TO PERSONS RECEIVING THIS DRAWING		
THE TECHNICAL MATERIEL CORPORATION claims proprietary right in the material disclosed hereon. This drawing is issued in confidence for engineering information only and may not be reproduced or used to manufacture anything shown hereon without permission from THE TECHNICAL MATERIEL CORPORATION to the user. This drawing is loaned for mutual assistance and is subject to recall at any time.		

REF: LD2213		QTY. REQ.		ITEM	PART NO.	DESCRIPTION	SYMBOL
O. POSE		LIST OF MATERIAL					
FINAL APPROVAL		DATE		THE TECHNICAL MATERIEL CORP.			
MECH. DES.		DATE		MAMARONECK, NEW YORK			
ELECT. DES.		DATE		PANEL, FRONT			
CHECKED		DATE		SIZE CODE IDENT.NO. DWG NO.			
DRAWN		DATE		D 82679 MS6081			
TOLERANCES ON DECIMALS .X ± .05		FRACTIONS ± 1/64		ISSUE			
ANGLES .XXX ± .005		± 0° - 30'		SCALE 1:1 SHEET OF			
MATERIAL 3/16 ALUMINUM 2024-T3		FINISH SEE NOTES					