

4

3

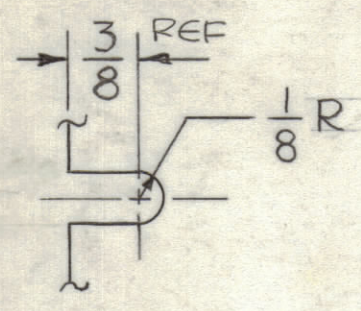
2

1

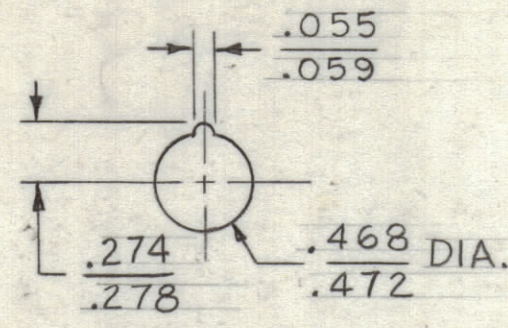
REVISIONS

ZONE	LTR	DESCRIPTION	DATE	E.M.N.NO	DRAFT	CHKD	APPD
	X	EXPERIMENTAL RELEASE	3-2-67		RME		
	X1	DIM. 14 3/4 WAS 15 1/4	12-14-67		EG		
	X2	ADD 'H' HOLES	3-7-68		EG		
	Ø	ORIGINAL RELEASE FOR PRODUCTION	11-20-68		EG		

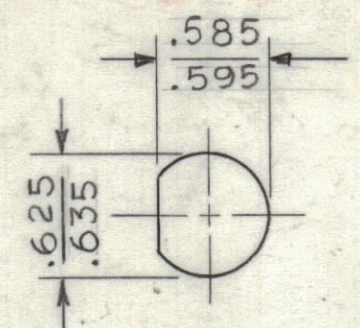
HOLE LEGEND		
HOLE	DESCRIPTION	REQ
A	.196 DIA. THRU .82° CUSK TO .390 DIA. (ON REAR)	4
B	15/32 DIA	1
C	SEE DETAIL	1
D	13/64 DIA	8
E	SEE DETAIL	3
F	SEE DETAIL	4
G	1/2 DIA.	1
H	NO.48(.0760)DRILL	4



DETAIL-F

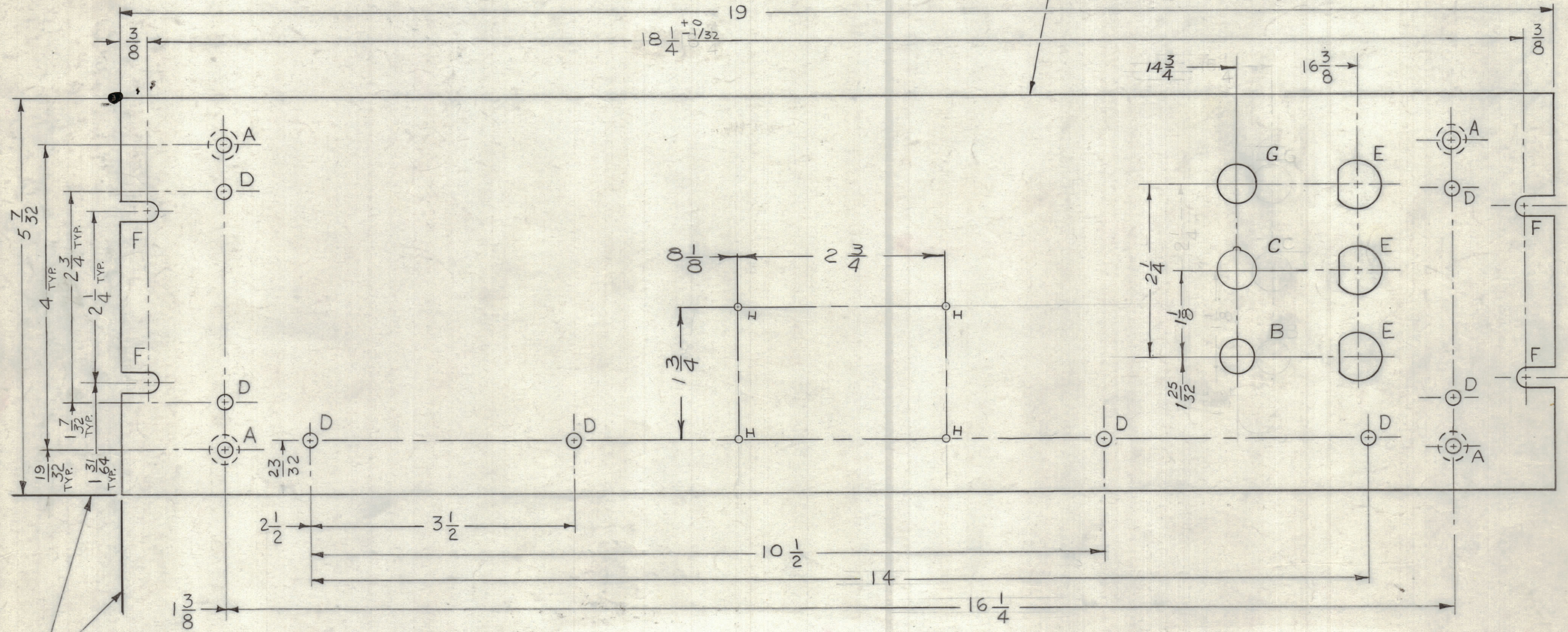


DETAIL-C



DETAIL-E

MARK TMC PART NO. (MS6082-)
1/8 HIGH GOTHIC W/LATEST REVISION
LETTER ON REAR OF PANEL.



FRONT VIEW SHOWN

LOCATING BASE LINES

MACHINING:

- MILL ALL EDGES.
- HOLES MUST BE DRILLED, UNLESS OTHERWISE SPECIFIED.
- LATERAL BOW OF PANEL MUST BE KEPT TO .031 TOLERANCE.
- PANEL MUST BE FREE OF ALL MACHINING MARKS, GOUGES AND SCRATCHES. IF NECESSARY, SAND FRONT OF PANEL WITH NO. 120 GRIT SANDPAPER.

FINISH NOTES:

- S404 - IRIDITE 14-2 AL-COAT.
- S114 - ZINC CHROMATE PRIMER } FRONT AND
- S115 - SMOOTH GRAY ENAMEL } EDGES ONLY

OR
PRIME AND PAINT PER CUSTOMER'S SPECIFICATIONS.

QTY / UNIT	MODEL USED ON	ASS'Y NO.
	RTTD-4	
	APPLICATION	
	CODE	

NOTICE TO PERSONS RECEIVING THIS DRAWING
THE TECHNICAL MATERIEL CORPORATION claims proprietary right in the material disclosed hereon. This drawing is issued in confidence for engineering information only and may not be reproduced or used to manufacture anything shown hereon without permission from THE TECHNICAL MATERIEL CORPORATION to the user. This drawing is loaned for mutual assistance and is subject to recall at any time.

UNLESS OTHERWISE SPECIFIED
DIMENSIONS ARE IN INCHES
AND INCLUDE CHEMICALLY APPLIED
OR PLATED FINISHES

TOLERANCES ON

DECIMALS	FRACTIONS
.X ± .05	± 1/64
.XX ± .01	ANGLES
.XXX ± .005	± 0° -30'

MATERIAL 3/16 THICK
ALUMINUM, 2024-T3

FINISH
SEE NOTES

REF: LD2200

QTY. REQ.	ITEM	PART NO.	DESCRIPTION	SYMBOL
	EATON		LIST OF MATERIAL SK3252-006-7-2	
THE TECHNICAL MATERIEL CORP. MAMARONECK, NEW YORK				
FRONT PANEL				

SIZE	CODE IDENT.NO.	DWG NO.	ISSUE
C	82679	SK-MS6082-2	Ø
SCALE 1/1		SHEET 1 OF 1	

4

3

2

1