

ISSUE	ITEM	CHANGED FROM	DATE	CM. NO.	DRAFTS	CHECKER	ENG. APP.
C	1	5-404 YEL. INK DITE WAS	12/19/55	1001	AK	EMN	
C	1	5-101 CAUSTIC DIP	12/19/55	1001	AK	EMN	
A	1	AA. MATHEMATICS. HOLE ADDD	8/26/55	1	AK	EMN	
A	1	AA. 3 HOLES ADDED	8/26/55	1	AK	EMN	

TOLERANCES	
DRILL PUNCH, COMMERCIAL STOCK	± .005
SIZES AND MANUFACTURERS	± .005
TOLERANCES ARE NOT INCLUDED.	

FINISH & SPEC. NO.	
HEAT TREAT. SPEC.	12-12-55
TYPE & TEMPER	245-78
MATERIAL	ALUMINUM
WEIGHT PER SQ. FT.	
STOCK SIZE	
DESCRIPTION	FRONT PANEL, POWER SUPPLY

USED ON	
PROJECT NO.	
ASBY. NO.	
DATE	12-12-55

MATERIAL	
STOCK SIZE	
WEIGHT PER SQ. FT.	
DESCRIPTION	FRONT PANEL, POWER SUPPLY

MATERIAL	
STOCK SIZE	
WEIGHT PER SQ. FT.	
DESCRIPTION	FRONT PANEL, POWER SUPPLY

MATERIAL	
STOCK SIZE	
WEIGHT PER SQ. FT.	
DESCRIPTION	FRONT PANEL, POWER SUPPLY

MATERIAL	
STOCK SIZE	
WEIGHT PER SQ. FT.	
DESCRIPTION	FRONT PANEL, POWER SUPPLY

MATERIAL	
STOCK SIZE	
WEIGHT PER SQ. FT.	
DESCRIPTION	FRONT PANEL, POWER SUPPLY

MATERIAL	
STOCK SIZE	
WEIGHT PER SQ. FT.	
DESCRIPTION	FRONT PANEL, POWER SUPPLY

MATERIAL	
STOCK SIZE	
WEIGHT PER SQ. FT.	
DESCRIPTION	FRONT PANEL, POWER SUPPLY

MATERIAL	
STOCK SIZE	
WEIGHT PER SQ. FT.	
DESCRIPTION	FRONT PANEL, POWER SUPPLY

MATERIAL	
STOCK SIZE	
WEIGHT PER SQ. FT.	
DESCRIPTION	FRONT PANEL, POWER SUPPLY

MATERIAL	
STOCK SIZE	
WEIGHT PER SQ. FT.	
DESCRIPTION	FRONT PANEL, POWER SUPPLY

MATERIAL	
STOCK SIZE	
WEIGHT PER SQ. FT.	
DESCRIPTION	FRONT PANEL, POWER SUPPLY

MATERIAL	
STOCK SIZE	
WEIGHT PER SQ. FT.	
DESCRIPTION	FRONT PANEL, POWER SUPPLY

MATERIAL	
STOCK SIZE	
WEIGHT PER SQ. FT.	
DESCRIPTION	FRONT PANEL, POWER SUPPLY

MATERIAL	
STOCK SIZE	
WEIGHT PER SQ. FT.	
DESCRIPTION	FRONT PANEL, POWER SUPPLY

MATERIAL	
STOCK SIZE	
WEIGHT PER SQ. FT.	
DESCRIPTION	FRONT PANEL, POWER SUPPLY

MATERIAL	
STOCK SIZE	
WEIGHT PER SQ. FT.	
DESCRIPTION	FRONT PANEL, POWER SUPPLY

MATERIAL	
STOCK SIZE	
WEIGHT PER SQ. FT.	
DESCRIPTION	FRONT PANEL, POWER SUPPLY

MATERIAL	
STOCK SIZE	
WEIGHT PER SQ. FT.	
DESCRIPTION	FRONT PANEL, POWER SUPPLY

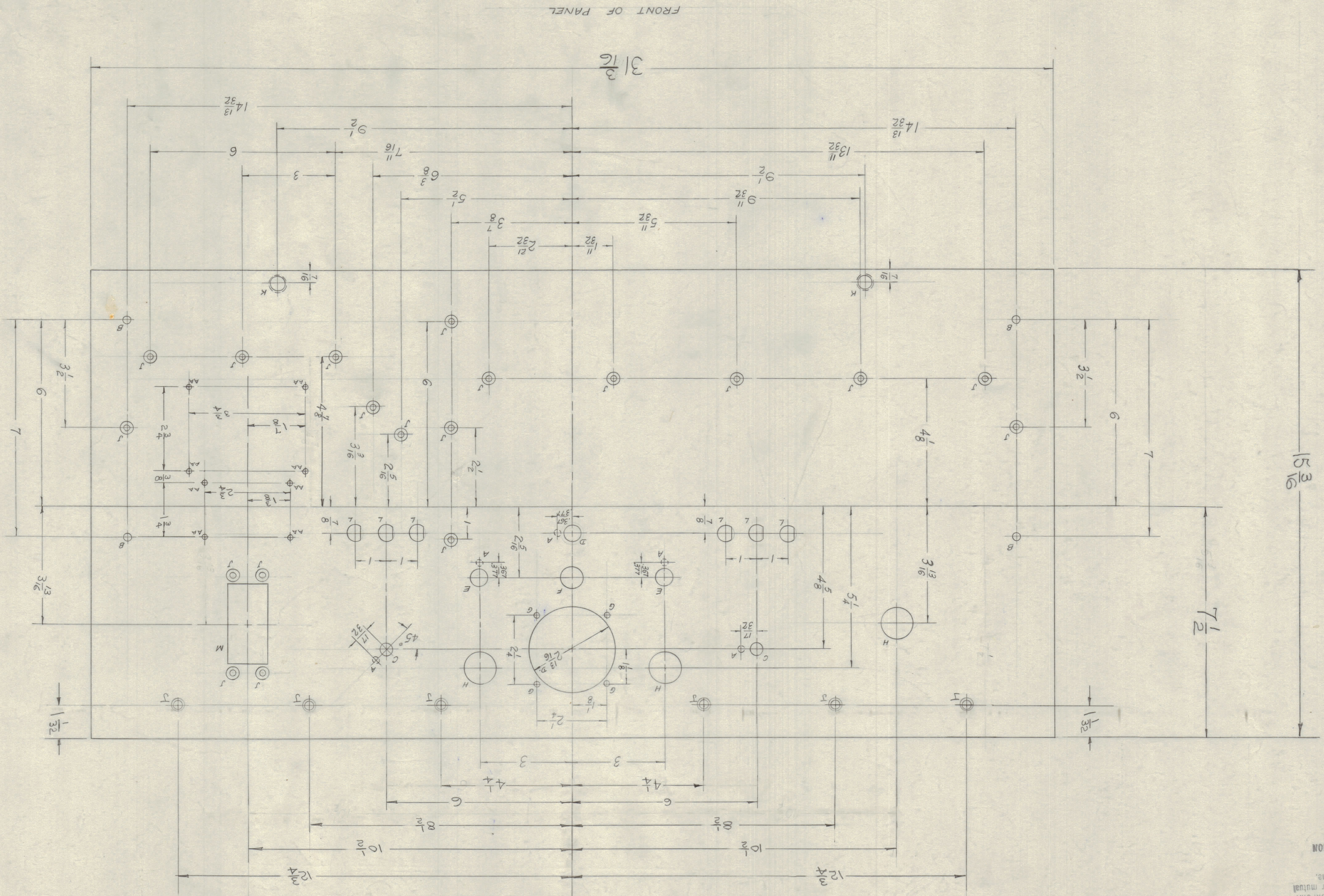
MATERIAL	
STOCK SIZE	
WEIGHT PER SQ. FT.	
DESCRIPTION	FRONT PANEL, POWER SUPPLY

MATERIAL	
STOCK SIZE	
WEIGHT PER SQ. FT.	
DESCRIPTION	FRONT PANEL, POWER SUPPLY

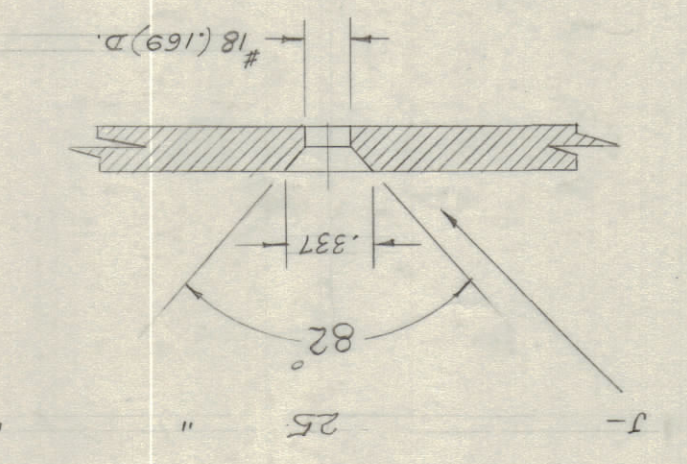
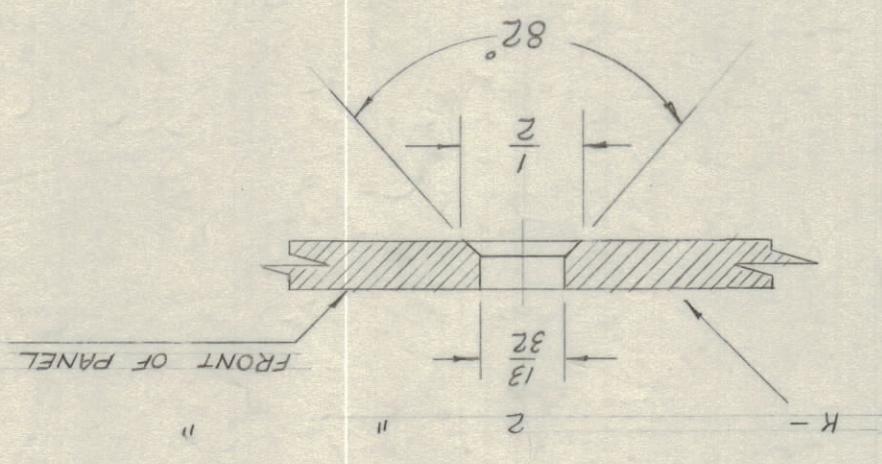
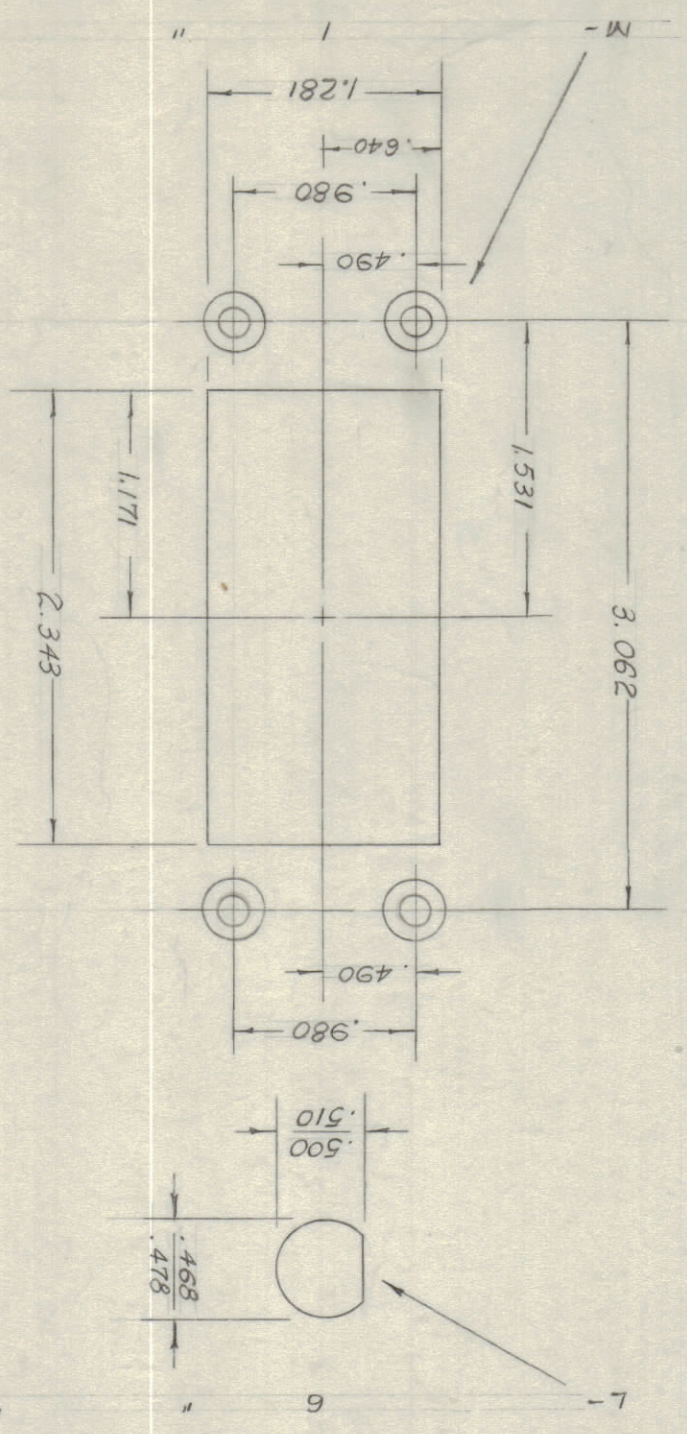
MATERIAL	
STOCK SIZE	
WEIGHT PER SQ. FT.	
DESCRIPTION	FRONT PANEL, POWER SUPPLY

MATERIAL	
STOCK SIZE	
WEIGHT PER SQ. FT.	
DESCRIPTION	FRONT PANEL, POWER SUPPLY

MATERIAL	
STOCK SIZE	
WEIGHT PER SQ. FT.	
DESCRIPTION	FRONT PANEL, POWER SUPPLY



NOTE FINISH:  
 5-404 RAIDITE  
 5-114 ZINC CHROMATE PRIMER  
 5-115 SMOOTH GRAY ENAMEL  
 OR PRIME & PAINT TO  
 FRONT & EDGES ONLY  
 CUSTOMERS SPECIFICATIONS



- A-9 6/4 (140) D. x 8/1 DEEP FROM REAR OF PANEL 5 REA.D.
- B-1/2 (218) D. 4 HOLES REA.D.
- C-5/16 (300) D. 2 "
- D-3/16 (484) D. 1 "
- E-3/32 (515) D. 2 "
- F-1/16 (103) D. 1 "
- G-1/8 (125) D. 4 "
- H-1/16 (140) D. 3 "

REQ. ITEM	PART NO.	DESCRIPTION	SYMBOL
3	16	THE TECHNICAL MATERIEL CORP.	
1	16	MAMARONECK, NEW YORK	
1	16	FRONT PANEL, POWER SUPPLY	
1	16	ALUMINUM	
1	16	WEIGHT PER SQ. FT.	
1	16	STOCK SIZE	
1	16	DESCRIPTION	FRONT PANEL, POWER SUPPLY
1	16	TYPE & TEMPER	245-78
1	16	HEAT TREAT. SPEC.	12-12-55
1	16	FINISH & SPEC. NO.	12-12-55

MS-670 C

IF IT IS FOUND DESIRABLE TO CHANGE ANY TOLERANCE OR OTHER DETAIL PROPERTY, THE DRAWING NOTIFY THE PURCHASER PROMPTLY.  
 MAXIMUM ALLOWABLE TOLERANCES HAVE BEEN DETERMINED AND DEVIATIONS WILL BE CAUSE FOR REJECTION.  
 REMOVE ALL BURRS AND SHARP EDGES.  
 NOTICE TO PERSONS RECEIVING THIS DRAWING  
 THIS TECHNICAL MATERIEL CORPORATION CLAIMS PROPRIETARY RIGHT IN THE MATERIAL DISCLOSED HEREON.  
 THIS DRAWING IS TO BE USED ONLY FOR THE PURPOSES SPECIFIED AND IS NOT TO BE REPRODUCED OR USED IN ANY MANNER WITHOUT THE WRITTEN PERMISSION OF THE TECHNICAL MATERIEL CORPORATION.  
 T.O.I. TO THE USER. THIS DRAWING IS LOANED FOR MUTUAL ASSISTANCE AND IS NOT TO BE REPRODUCED OR USED IN ANY MANNER WITHOUT THE WRITTEN PERMISSION OF THE TECHNICAL MATERIEL CORPORATION.  
 PROPERTY OF:  
 THE TECHNICAL MATERIEL CORPORATION  
 MAMARONECK, NEW YORK