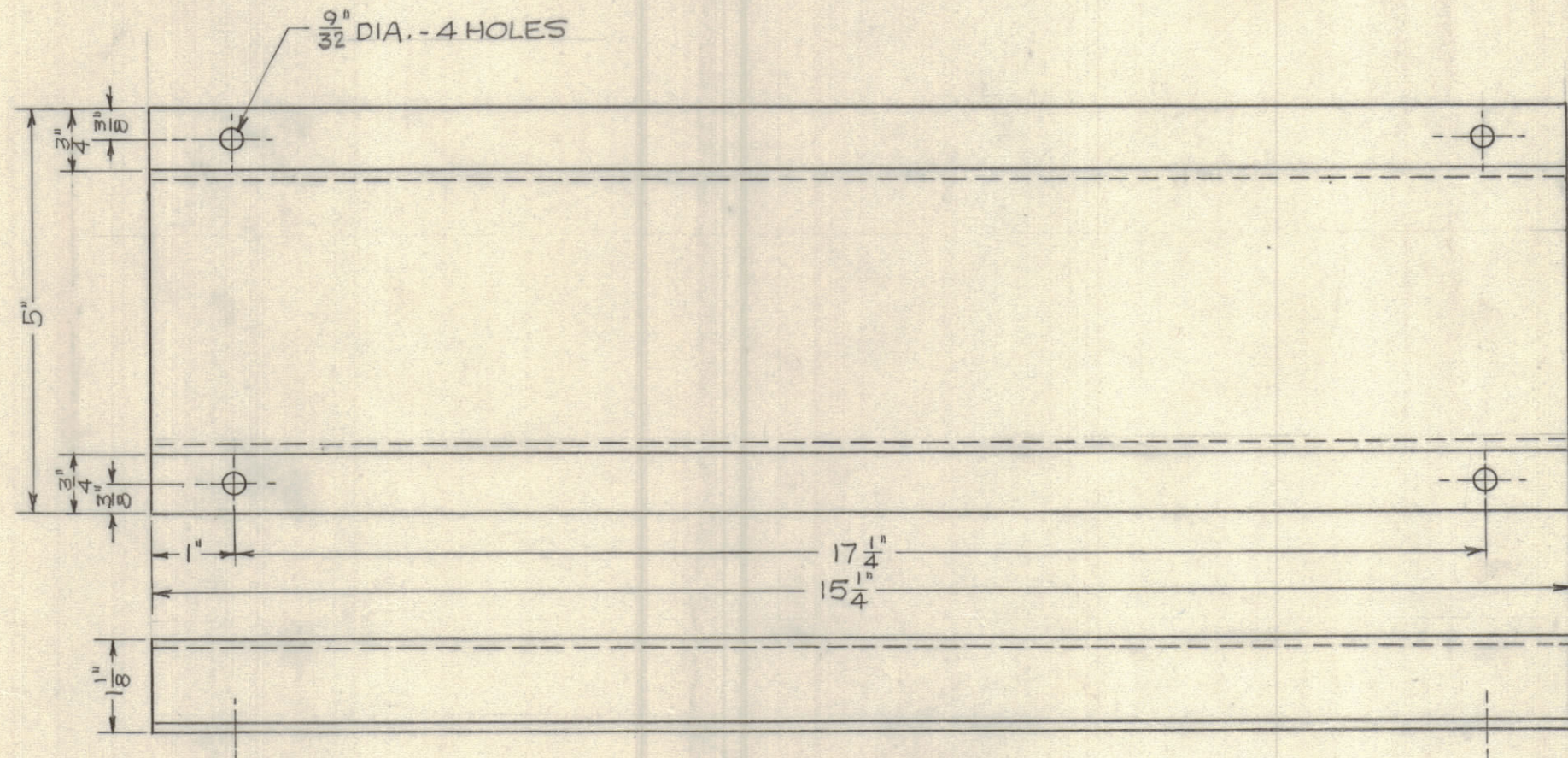
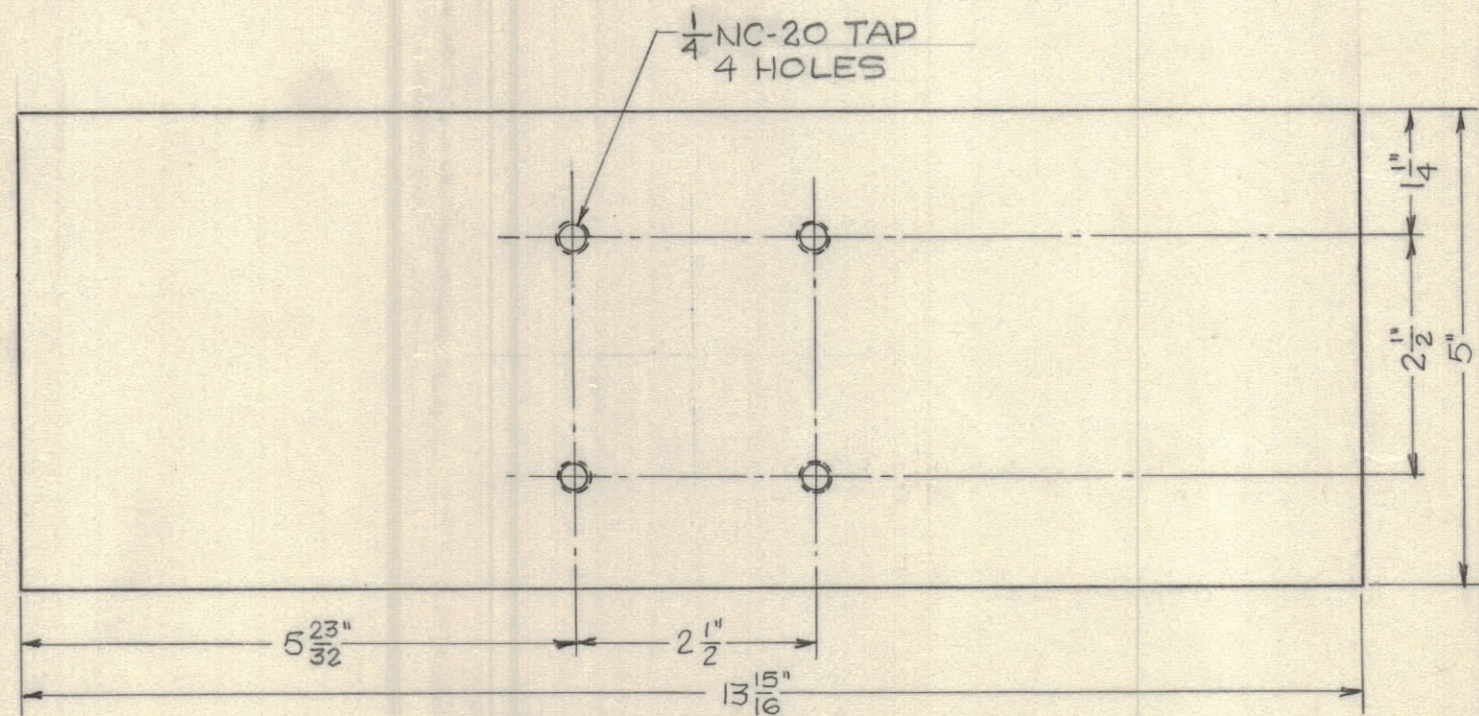


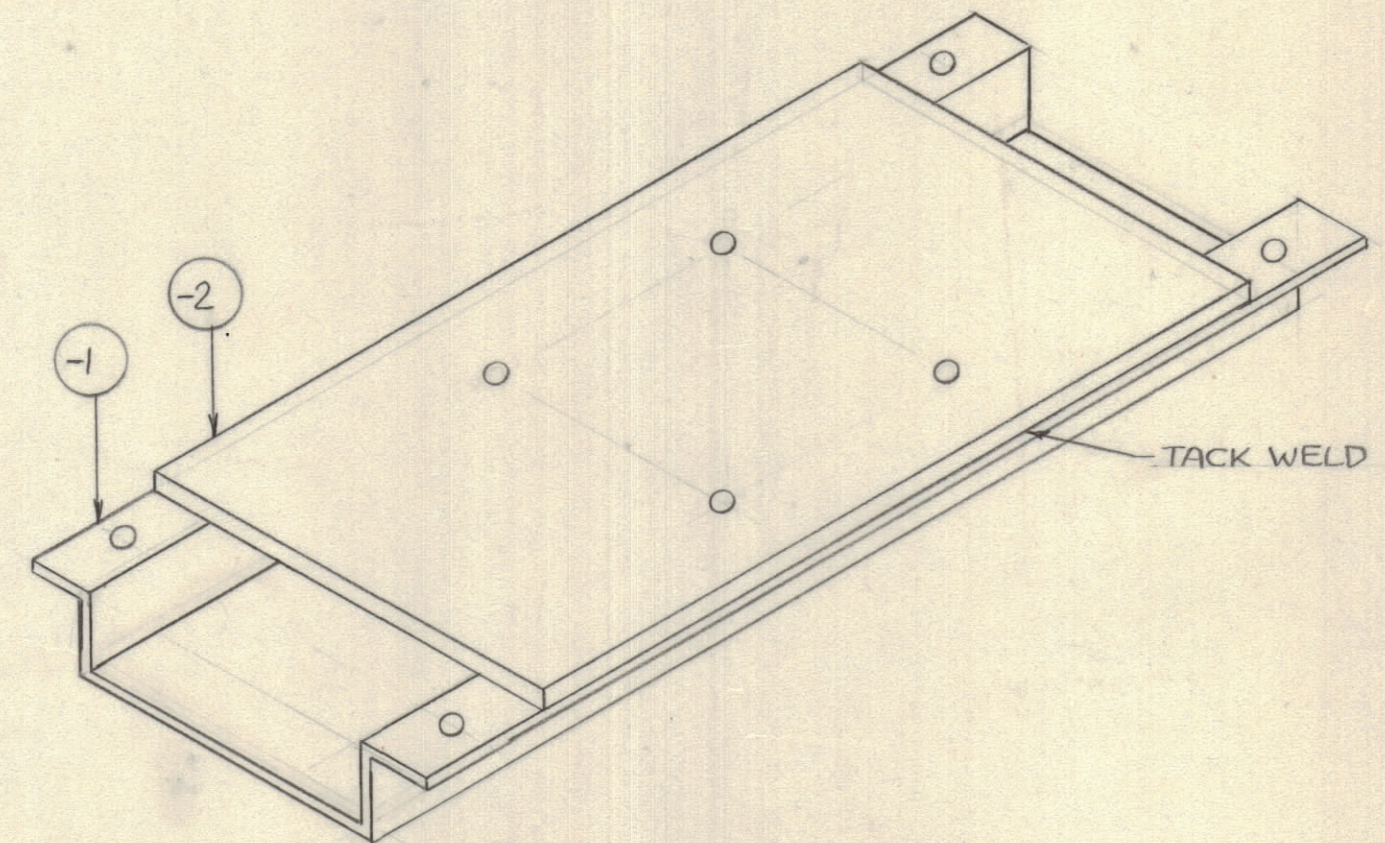
REVISIONS					
ZONE	LTR	DESCRIPTION	DATE	DRAFT	CHK'D APPD



MATERIAL: 11GA. C.R.S.
STAMP M5G164-1



MATERIAL: 3/16" C.R.S.
STAMP M5G164-2



QTY REQ	QTY REQ	QTY REQ	ITEM	PART NO.	MANUFACTURER	DESCRIPTION	SYM		
PARTS LIST									
DRAWN FERNANDEZ				DATE 3/22/73		THE TMC SYSTEMS AND POWER CORPORATION SPRINGFIELD, VIRGINIA ISOLATOR SUPPORT			
CHECKED				DATE					
D. ENG.				DATE					
P. ENG. <i>CRB</i>				DATE 22 MAR 73					
P. MGR.				DATE					
CHIEF, ENG. DEPT.				DATE		SIZE C	CODE IDENT NO 24146	DWG. NO. M5G164	REV
MATERIAL AS NOTED				FINISH TMC SPEC. P4000		SCALE 1/2"		SHEET 1 OF 1	

INTERPRET DRAWING PER LISTED DOCUMENTS	
DIMENSIONING MIL - STD - 8 SURFACE ROUGHNESS MIL - STD - 10 ABBREVIATIONS MIL - STD - 12 ELECTRONIC SYMBOLS MIL - STD - 15 WELDING SYMBOLS JAN - STD - 19	AX728 USED ON
NEXT ASSY	APPLICATION
NOTICE TO PERSONS RECEIVING THIS DRAWING THE TMC SYSTEMS AND POWER CORPORATION claims proprietary right in the material disclosed herein. This drawing is issued in confidence for engineering information only and may not be reproduced or used to manufacture anything shown hereon without permission from THE TMC SYSTEMS AND POWER CORPORATION to the user. This drawing is loaned for mutual assistance and is subject to recall at any time.	