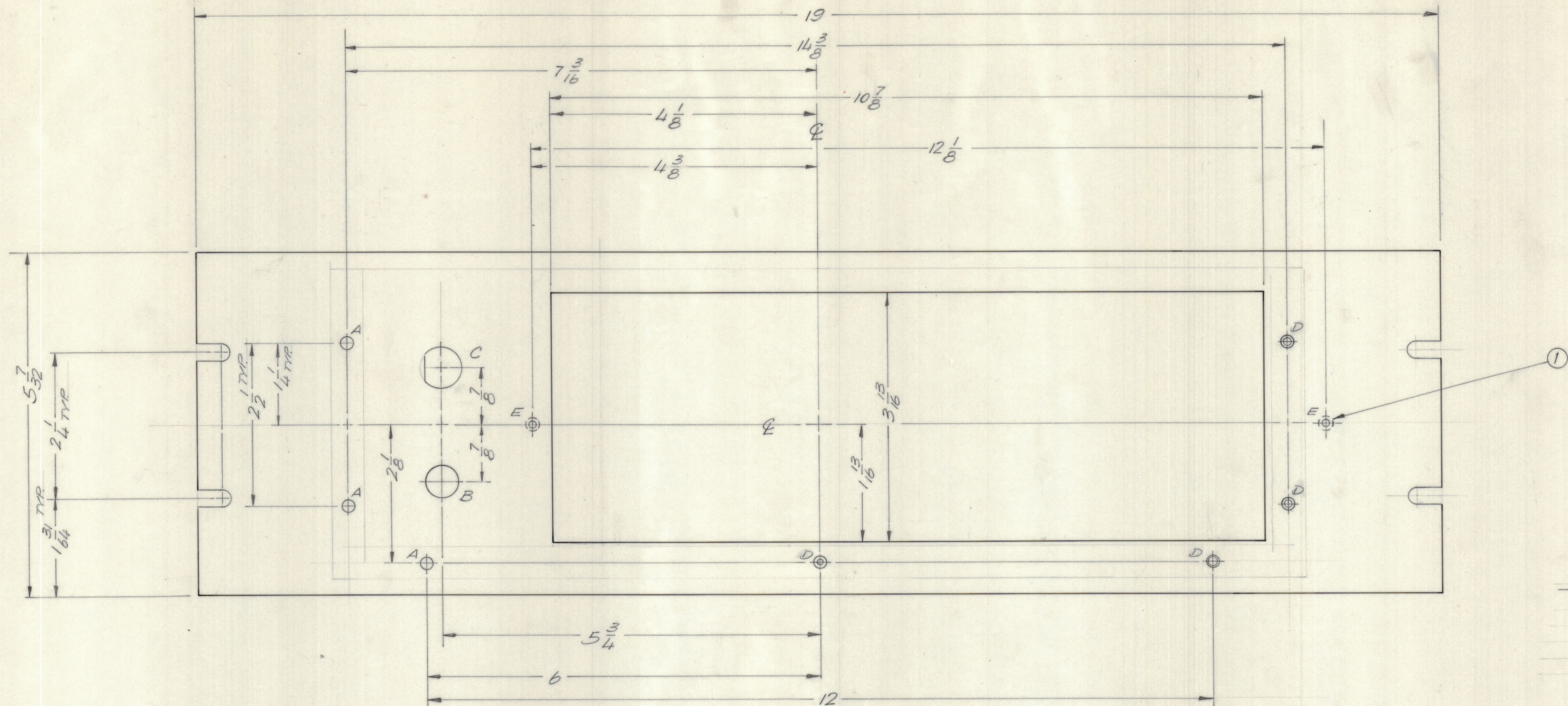
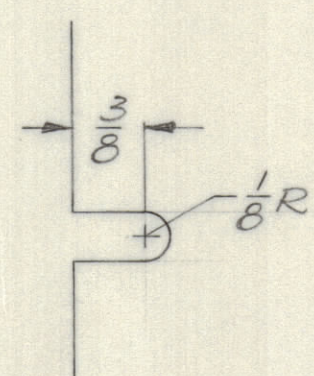


REVISIONS							
E.M.N.O	DRAFT	CHKD	ZONE	LTR	DESCRIPTION	DATE	APPROVED
	CL				ORIGINAL RELEASE FOR PRODUCTION	6-16-75	

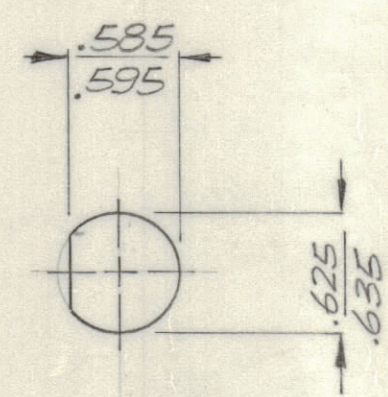


HOLE DESCRIPTION REQ.

A	3/16 DIA.	3
B	1/2 DIA.	1
C	SEE DETAIL	1
D	0632 C'SLK	4
E	.191-.194 DIA.	2



SLOT DETAIL
(4 REQ.)



C DETAIL

FINISH NOTES:

- S404 - IRIDITE 14-2 AL-COAT.
- S114 - ZINC CHROMATE PRIMER } FRONT AND EDGES ONLY
- S115 - SMOOTH GRAY ENAMEL } OR PRIME AND PAINT PER CUSTOMER'S SPECIFICATIONS

QTY / UNIT	MODEL USED ON	ASSY NO.
1	THRA-2	
APPLICATION		
CODE		
NOTICE TO PERSONS RECEIVING THIS DRAWING		
THE TECHNICAL MATERIEL CORPORATION claims proprietary right in the material disclosed hereon. This drawing is issued in confidence for engineering information only and may not be reproduced or used to manufacture anything shown hereon without permission from THE TECHNICAL MATERIEL CORPORATION to the user. This drawing is loaned for mutual assistance and is subject to recall at any time.		

REF LD 3019

DECIMALS	FRACTIONS
X ± .05	± 1/64
XX ± .01	ANGLES
XXX ± .005	± 0° -30'

TOLERANCES ON

MATERIAL 1/8 ALLUM 5052 H32

FINISH AS NOTED

QTY. REQ.	ITEM	PART NO.	DESCRIPTION	SYMBOL
2	1	NT1290632-4	NUT, ROUND	E
LIST OF MATERIAL				
FINAL APPROVAL		DATE	THE TECHNICAL MATERIEL CORP.	
MECH. DES. 9E		5/22/75	MAMARONECK, NEW YORK	
ELECT. DES.		DATE	PANEL, FRONT	
CHECKED		DATE		
DRAWN 9E		2/13/74		
SIZE	CODE	IDENT NO.	DWG NO.	ISSUE
D	82679		MS6524	1
SCALE 1:1				SHEET OF