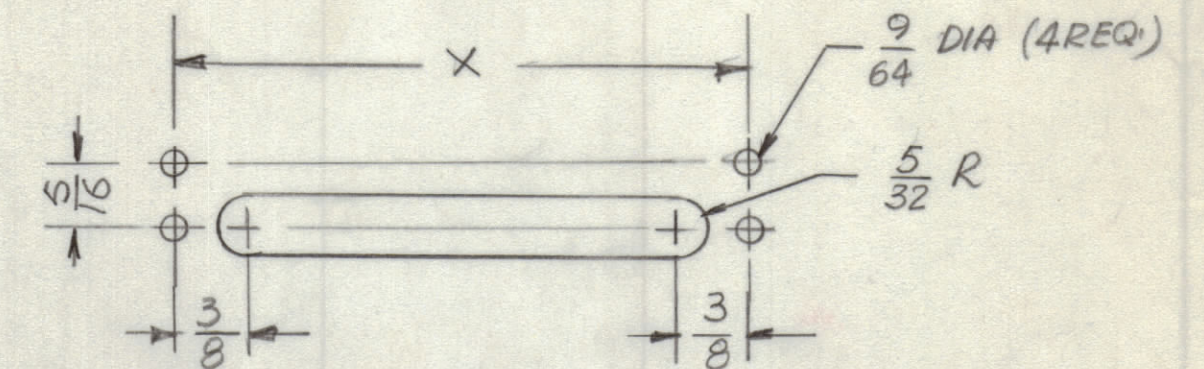
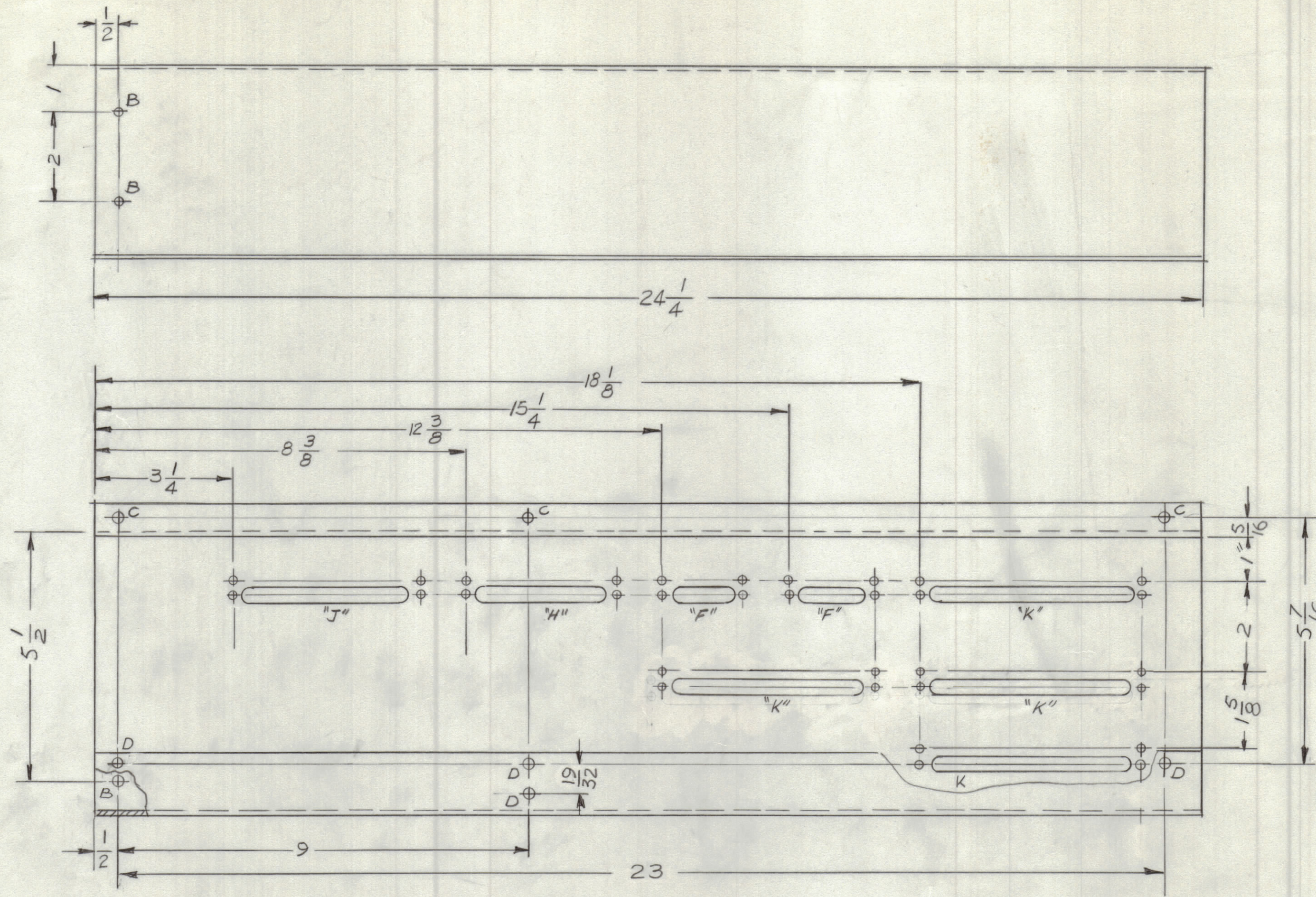


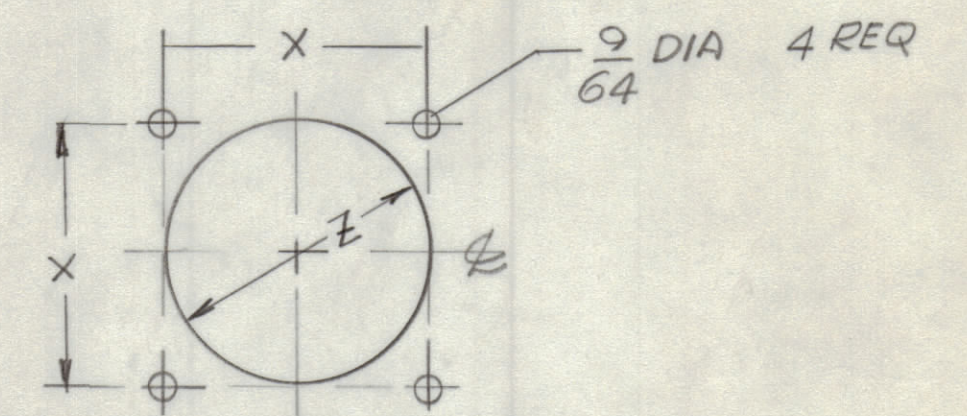
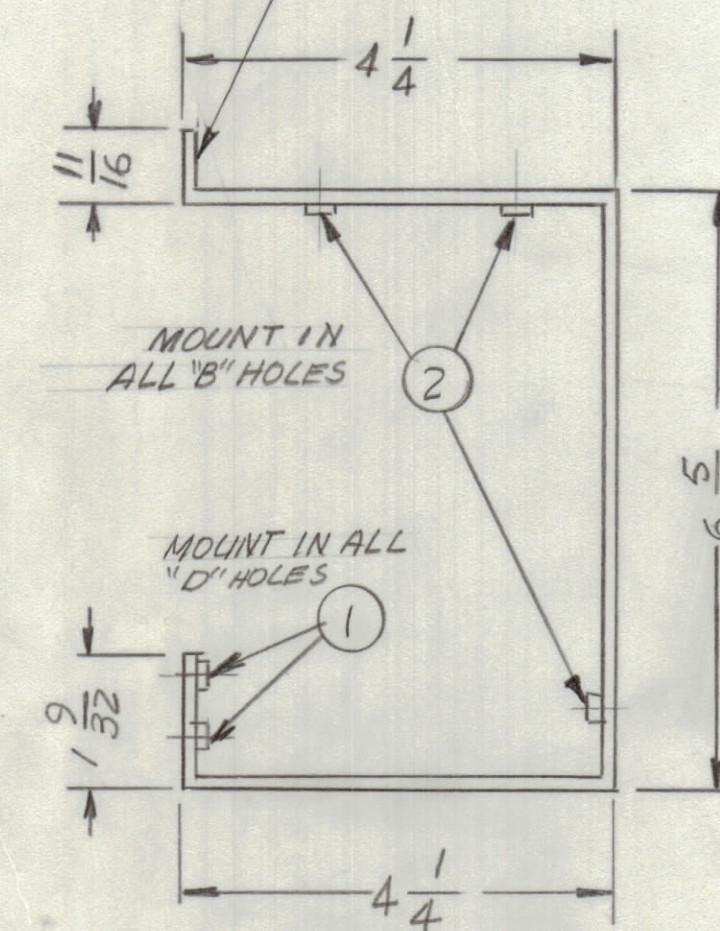
ORIGINAL RELEASE FOR PRODUCTION



DETAIL "F", "G", "H", "J", "K"

DETAIL	X
F	1 7/8
G	2 1/4
H	3
J	4 1/8
K	4 7/8

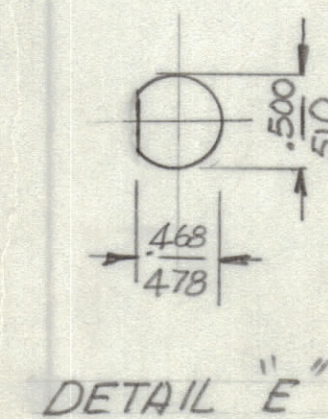
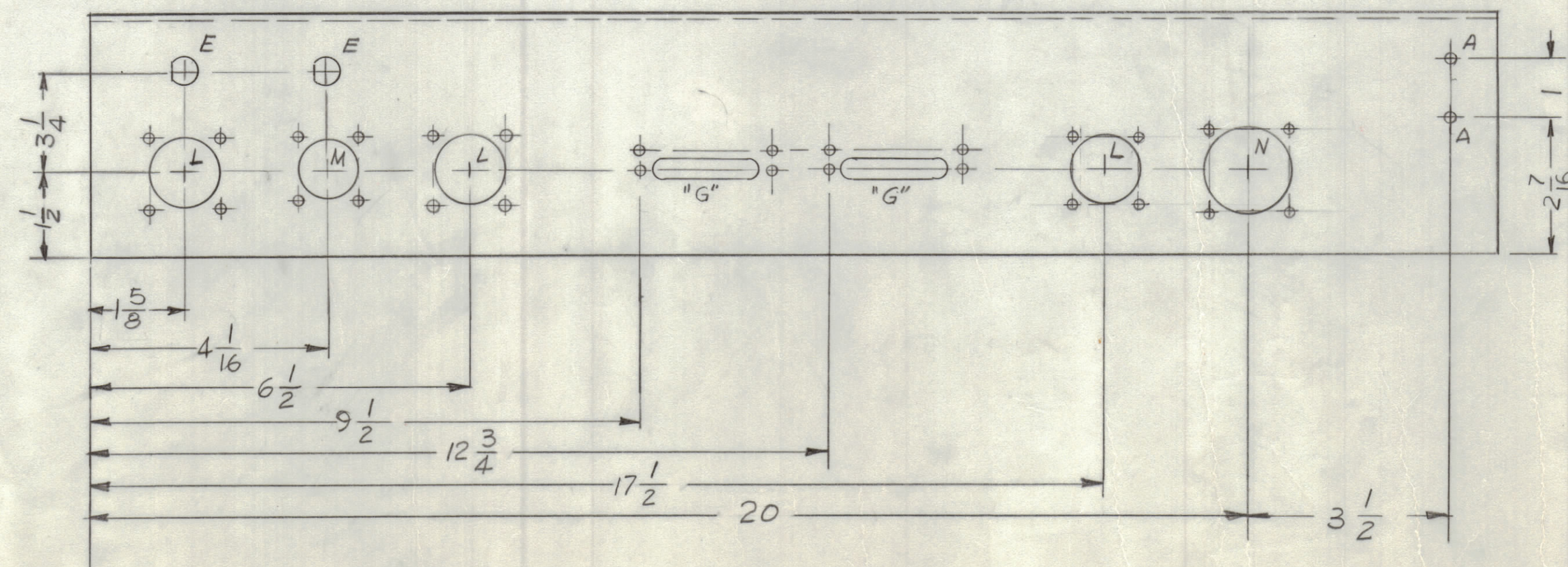
MARK TMC PART NUMBER
1/8 HIGH GOTHIC WITH LATEST
REVISION LETTER ON REAR OF PANEL



DETAIL "L", "M", "N"

DETAIL	X	Z
M	3 1/32	1 1/16 DIA
L	1 5/32	1 5/16 DIA
N	1 3/8	L 1/2

HOLE	DESCRIPTION	REQ
A	11/64 DIA	2
B	.191-.194 DIA	3
C	13/64 DIA	3
D	.221-.224 DIA	4
E	SEE DETAIL	2
F		2
G		2
H		1
J		1
K		4
L		3
M		1
N	SEE DETAIL	1



DETAIL "E"

- UNLESS OTHERWISE SPECIFIED:
- USE MATERIAL THICKNESS FOR MAXIMUM RADIUS ON ALL BENDS.
 - ALL ANGULAR BENDS 90 DEGREES.
 - REMOVE ALL BURRS AND SHARP EDGES.
 - MOUNT INSERTS AFTER FINISHING.

QTY / UNIT	MODEL USED ON	ASS'Y NO.
1	MFTR-10K	

APPLICATION	
CODE	

NOTICE TO PERSONS RECEIVING THIS DRAWING
THE TECHNICAL MATERIEL CORPORATION claims proprietary right in the material disclosed hereon. This drawing is issued in confidence for engineering information only and may not be reproduced or used to manufacture anything shown hereon without permission from THE TECHNICAL MATERIEL CORPORATION to the user. This drawing is loaned for mutual assistance and is subject to recall at any time.

REF: LD 3069

TOLERANCES ON	
DECIMALS	FRACTIONS
.X ± .05	± 1/64
.XX ± .01	ANGLES
.XXX ± .005	± 0° -30'

QTY.	REQ.	ITEM	PART NO.	DESCRIPTION	SYMBOL
3	2		NT129-632.4	NUT, ROUND	B
4	1		NT129-832.4	NUT, ROUND	D

LIST OF MATERIAL					
FINAL APPROVAL		DATE		THE TECHNICAL MATERIEL CORP.	
MECH. DES.		DATE		MAMARONECK, NEW YORK	
ELECT. DES.		DATE		PANEL INTERFACE	
CHECKED		DATE			
DRAWN		DATE		SIZE CODE IDENT NO. DWG NO. ISSUE	
MATERIAL .064 THK		FINISH		D 82679 MS6790	
ALUM-5052-#32		5404 YELL IRIDITE		SCALE 1/2 SHEET OF	