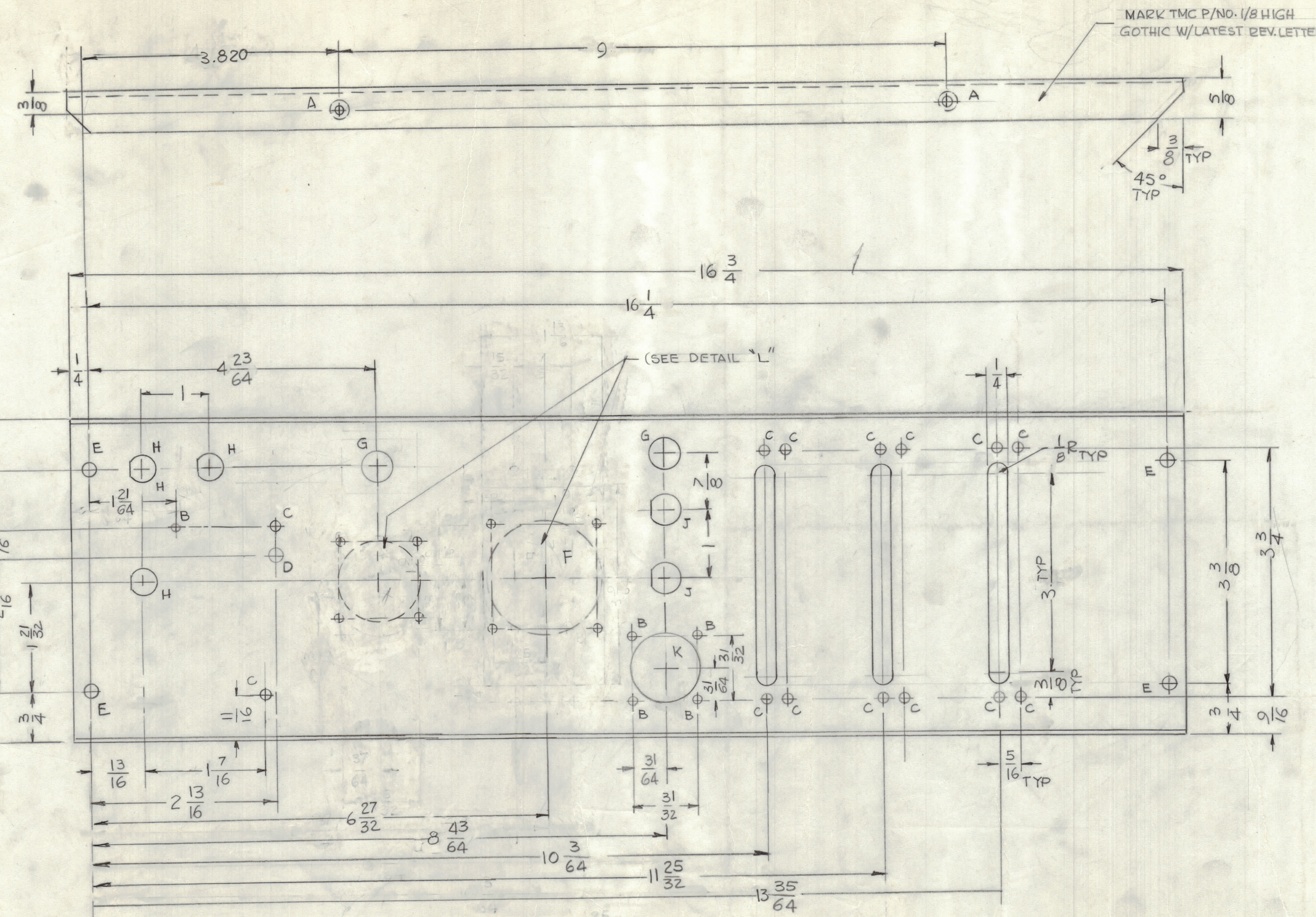
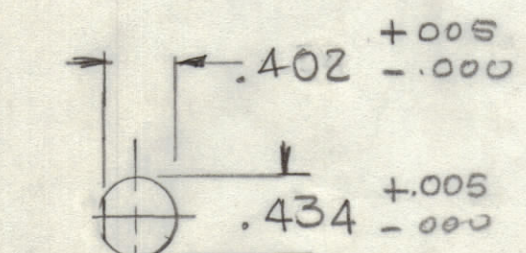


REVISIONS							
E.M.N.O.	DRAFT	CHKD	ZONE	LTR	DESCRIPTION	DATE	APPROVED
CDL			X1		DIM 8 ⁴³ / ₆₄ WAS 6 ⁴³ / ₆₄ , DIM'S 1 ¹ / ₄ & 7 ¹ / ₁₆ ADD	3.13.80	
GDL			X2		DIM 3.820 WAS 3 ⁷ / ₁₆ FROM THE EXT. LEFT	4.15.80	

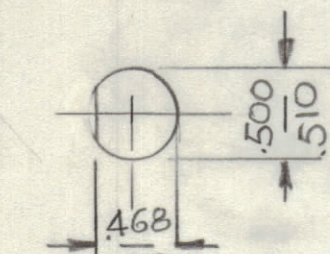


HOLE

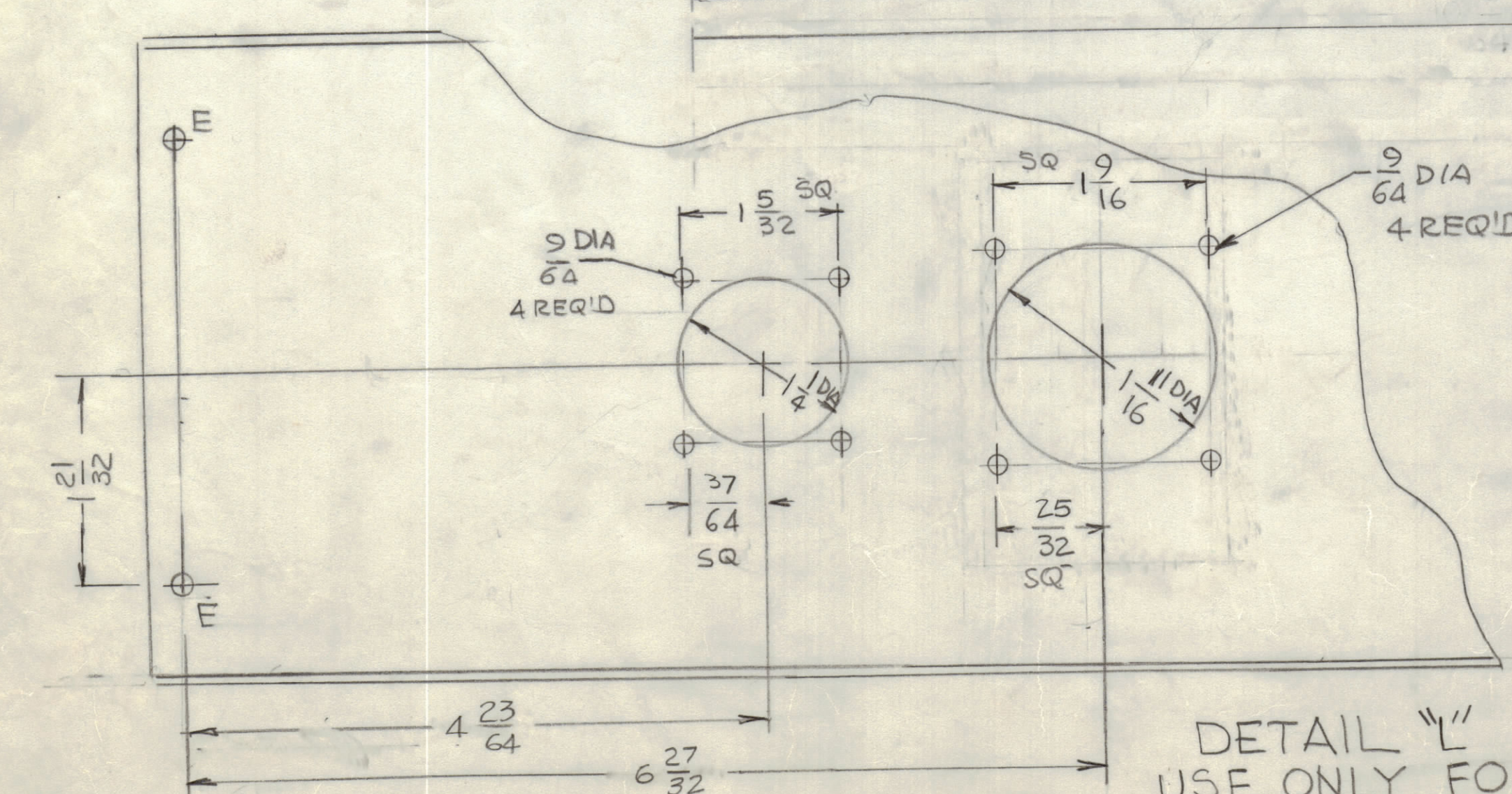
A - .191 - .194 DIA	4 REQ'D
B - 9/64 DIA	9 REQ'D
C - 11/64 DIA	14 REQ'D
D - 3/16 DIA	1 REQ'D
E - 7/32 DIA	4 REQ'D
F - 1 ¹ / ₁₆ DIA	1 REQ'D
G - 1/2 DIA	2 REQ'D
H - SEE DETAIL	3 REQ'D
J - SEE DETAIL	2 REQ'D
K - 1 ¹ / ₁₆ DIA	1 REQ'D



DETAIL "H"



DETAIL "J"



DETAIL "L"
USE ONLY FOR REMOTE CONTROL

REF. LD3121

QTY / UNIT	MODEL USED ON	ASS'Y NO.
1	SME-5 / (ca)	
APPLICATION		
CODE		

TOLERANCES ON	
DECIMALS	FRACTIONS
.X ± .05	± 1/64
.XX ± .01	ANGLES
.XXX ± .005	± 0° - 30'

QTY. REQ.	ITEM	PART NO.	DESCRIPTION	SYMBOL
LIST OF MATERIAL				
THE TECHNICAL MATERIEL CORP. MAMARONECK, NEW YORK				
PANEL REAR				
MATERIAL 063 TAK ALUM. 5052-H32		FINISH 9404 YEL IRIDITE		
SIZE	CODE	IDENT NO.	DWG NO.	ISSUE
D	82679		MS 6988	X2
SCALE		SHEET		OF

NOTICE TO PERSONS RECEIVING THIS DRAWING
THE TECHNICAL MATERIEL CORPORATION claims proprietary right in the material disclosed hereon. This drawing is issued in confidence for engineering information only and may not be reproduced or used to manufacture anything shown hereon without permission from THE TECHNICAL MATERIEL CORPORATION to the user. This drawing is loaned for mutual assistance and is subject to recall at any time.

MS 6988 X1