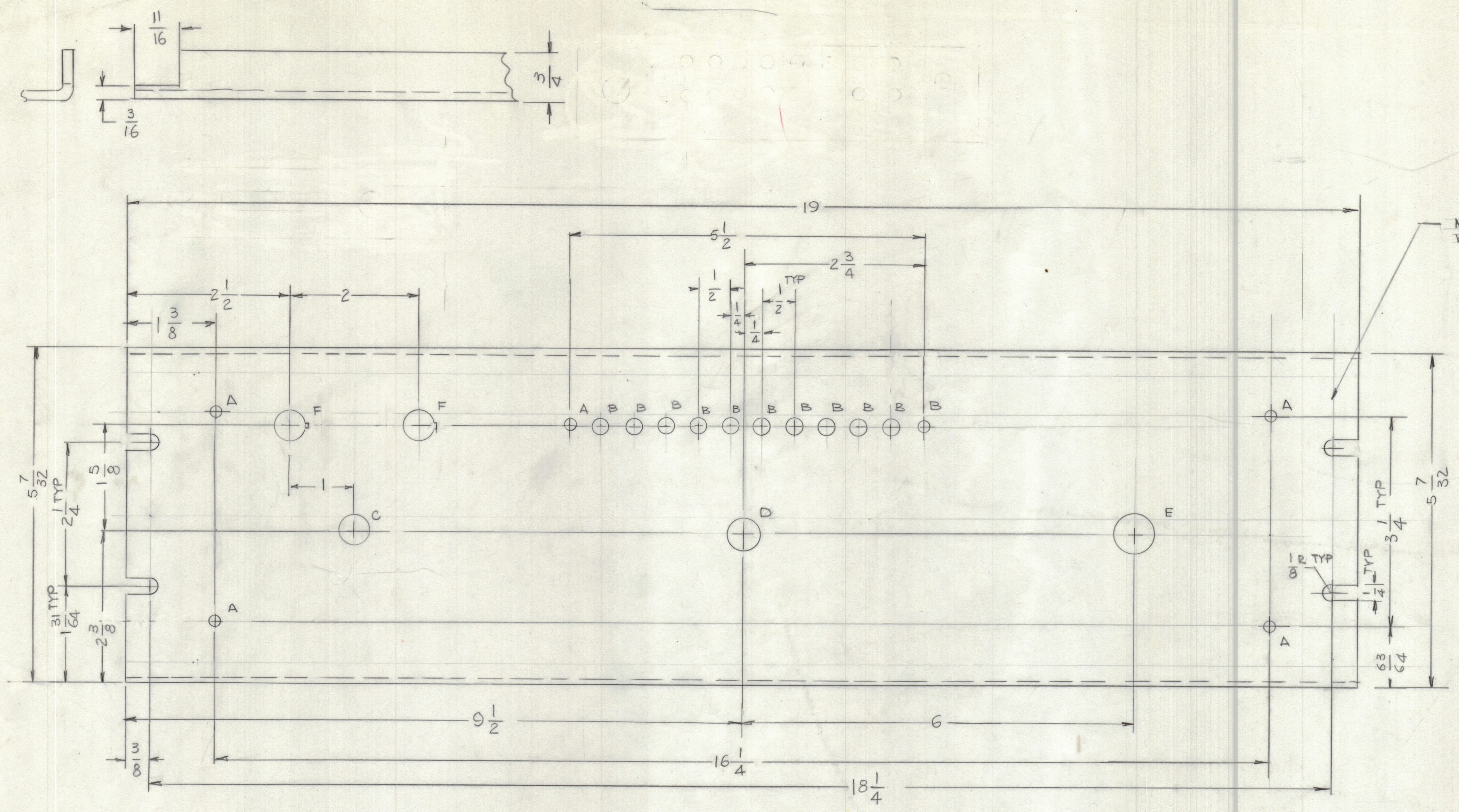


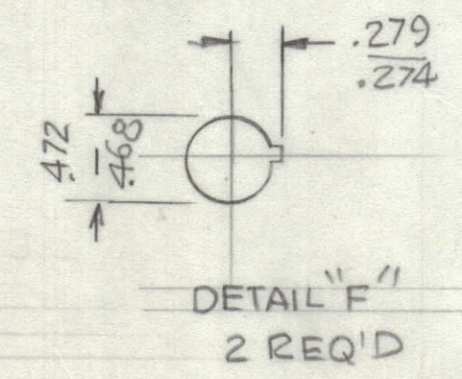
REVISIONS							
E.M.N.NO	DRAFT	CHKD	ZONE	LTR	DESCRIPTION	DATE	APPROVED
					ORIGINAL RELEASE	2-16-83	

BEND PANEL BEFORE MACHINING  
4 CORNERS



HOLE

A - 11/64 DIA	6 REQ'D
B - 1/4 DIA	10 REQ'D
C - 1/2 DIA	1 REQ'D
D - 5/8 DIA	1 REQ'D
E - 5/8 DIA	2 REQ'D
F - SEE DETAIL	



FINISH NOTES:  
 1. S404 - IRIDITE 14-2 AL-COAT.  
 2. S114 - ZINC CHROMATE PRIMER } FRONT AND  
 3. S115 - SMOOTH GRAY ENAMEL } EDGES ONL  
 OR  
 PRIME AND PAINT PER CUSTOMER'S SPECIFICATIONS

REF: LD3134

UNLESS OTHERWISE SPECIFIED DIMENSIONS ARE IN INCHES AND INCLUDE CHEMICALLY APPLIED OR PLATED FINISHES

TOLERANCES ON  
 DECIMALS .X ± .05  
 .XX ± .01  
 .XXX ± .005

FRACTIONS ± 1/64  
 ANGLES ± 0° - 30'

MATERIAL 1/8 THK ALUM 5052-H32

FINISH SEE NOTE

1	4 FTR-1K/J2B	AX806
QTY / UNIT	MODEL USED ON	ASS'Y NO.
APPLICATION		
CODE		
<small>NOTICE TO PERSONS RECEIVING THIS DRAWING</small> <small>THE TECHNICAL MATERIEL CORPORATION claims proprietary right in the material disclosed hereon. This drawing is issued in confidence for engineering information only and may not be reproduced or used to manufacture anything shown hereon without permission from THE TECHNICAL MATERIEL CORPORATION to the user. This drawing is loaned for mutual assistance and is subject to recall at any time.</small>		

QTY. REQ.	ITEM	PART NO.	DESCRIPTION	SYMBOL
LIST OF MATERIAL				
THE TECHNICAL MATERIEL CORP. MAMARONECK, NEW YORK				
FRONT PANEL				
FINAL APPROVAL		DATE		
MECH. DES.		DATE		
ELECT. DES.		DATE		
CHECKED		DATE		
DRAWN		DATE		
SIZE	CODE	IDENT NO.	DWG NO.	ISSUE
D	82679	MS7076		
SCALE 1:1				SHEET OF

5.218  
 3.250  
 1.968  
 984  
 3.250  
 984  
 5.218