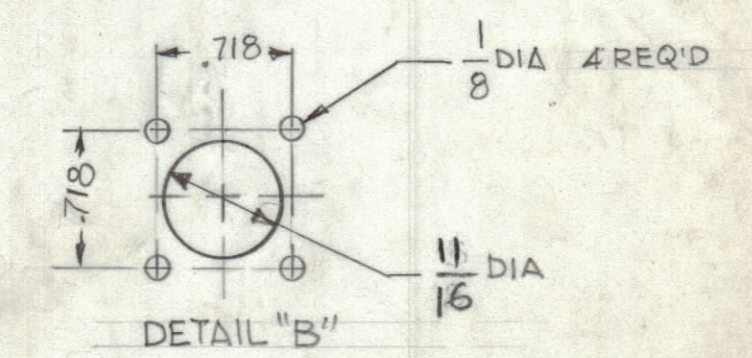
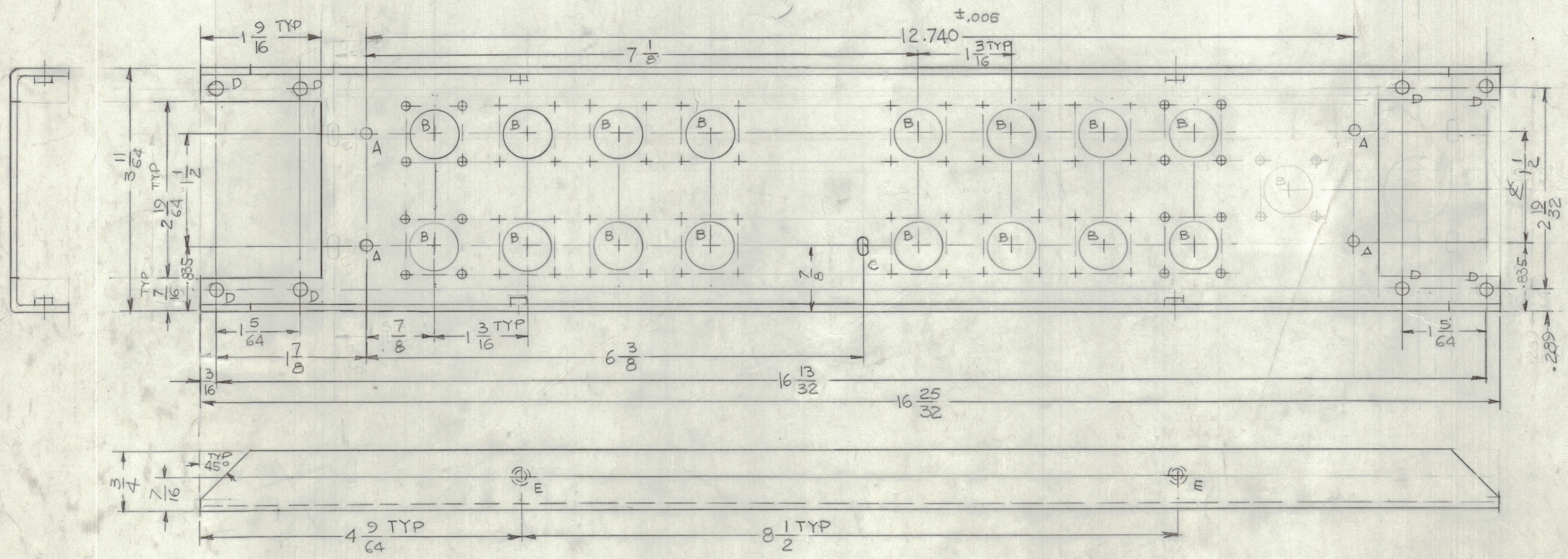


MS 7197-1
ALL DIMENSIONS ARE THE SAME AS MS 7197-2



- HOLE -
- A - 5/32 DIA 4 REQ'D
 - B - SEE DETAIL 16 REQ'D FOR -2
 - C - 11/64 X 3/16 SLOT 13 REQ'D FOR -1
 - D - 3/16 DIA 8 REQ'D
 - E - .161-.164 DIA 4 REQ'D



MS 7197-2

QTY. REQ.	ITEM	PART NO.	DESCRIPTION	SYMBOL
4	1	NT 129-0632-4	NUT, ROUND	E

LIST OF MATERIAL
THE TECHNICAL MATERIEL CORP.
MAMARONECK, NEW YORK

FINAL APPROVAL	DATE
MECH. DES.	DATE
ELECT. DES.	DATE
CHECKED	DATE
DRAWN	DATE
G.D.L.	7-14-80

PANEL, JACK

QTY / UNIT	MODEL USED ON	ASS'Y NO.
1	LF/MF 4 x 8	
APPLICATION		
CODE		

UNLESS OTHERWISE SPECIFIED DIMENSIONS ARE IN INCHES AND INCLUDE CHEMICALLY APPLIED OR PLATED FINISHES

TOLERANCES ON
DECIMALS
X ± .05
XX ± .01
XXX ± .005

FRACTIONS
± 1/64
ANGLES
± 0° -30'

MATERIAL .081 THK
ALUM. 5052-H32

FINISH 5404
YEL. IRIDITE

SIZE	CODE	IDENT NO.	DWG NO.	ISSUE
D	82679	MS7197-		
SCALE				SHEET OF

NOTICE TO PERSONS RECEIVING THIS DRAWING
THE TECHNICAL MATERIEL CORPORATION claims proprietary right in the material disclosed herein. This drawing is issued in confidence for engineering information only and may not be reproduced or used to manufacture anything shown hereon without permission from THE TECHNICAL MATERIEL CORPORATION to the user. This drawing is loaned for mutual assistance and is subject to recall at any time.

296
197
199

2250
105
2,191

REF - LD 3166