

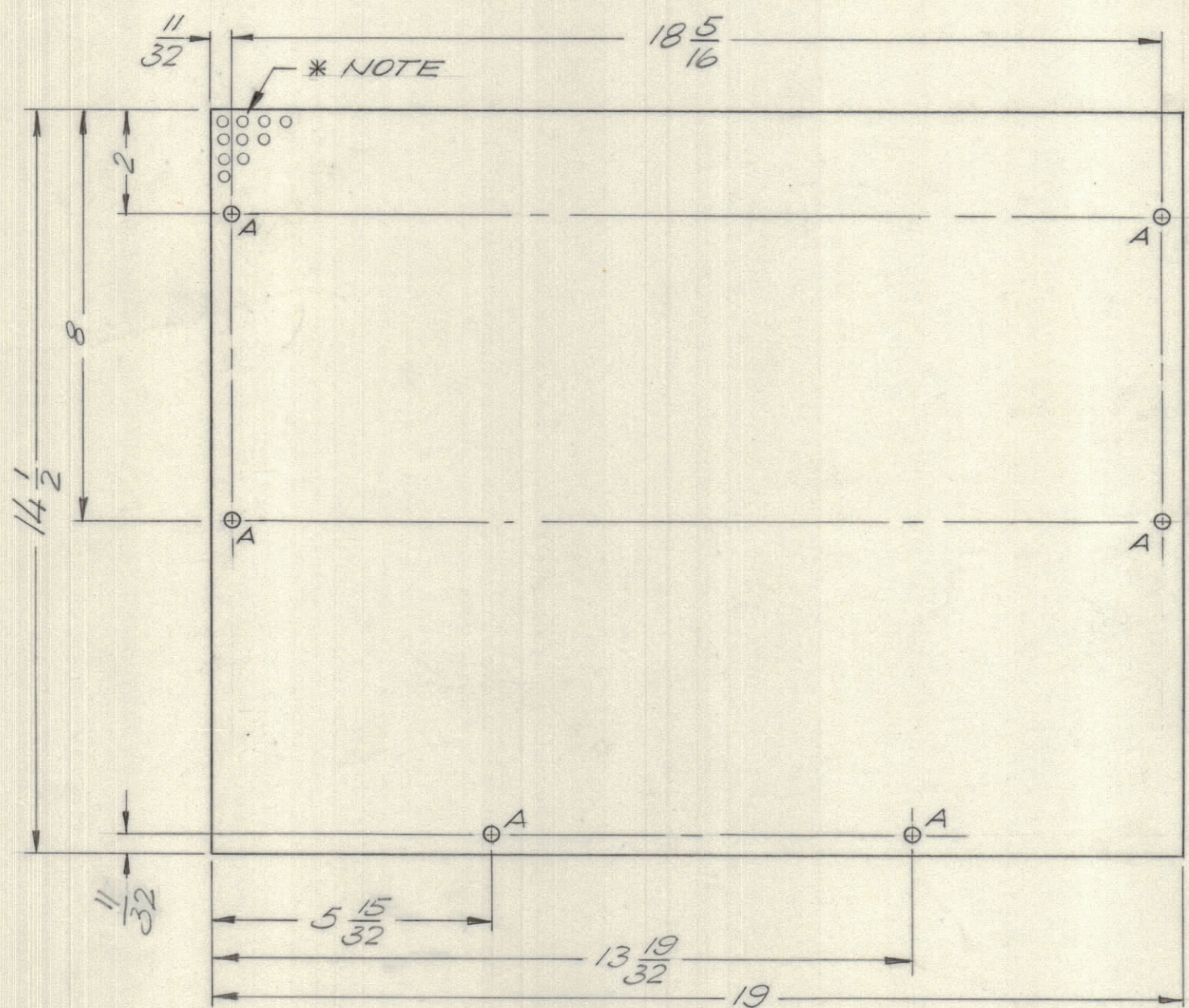
4

3

2

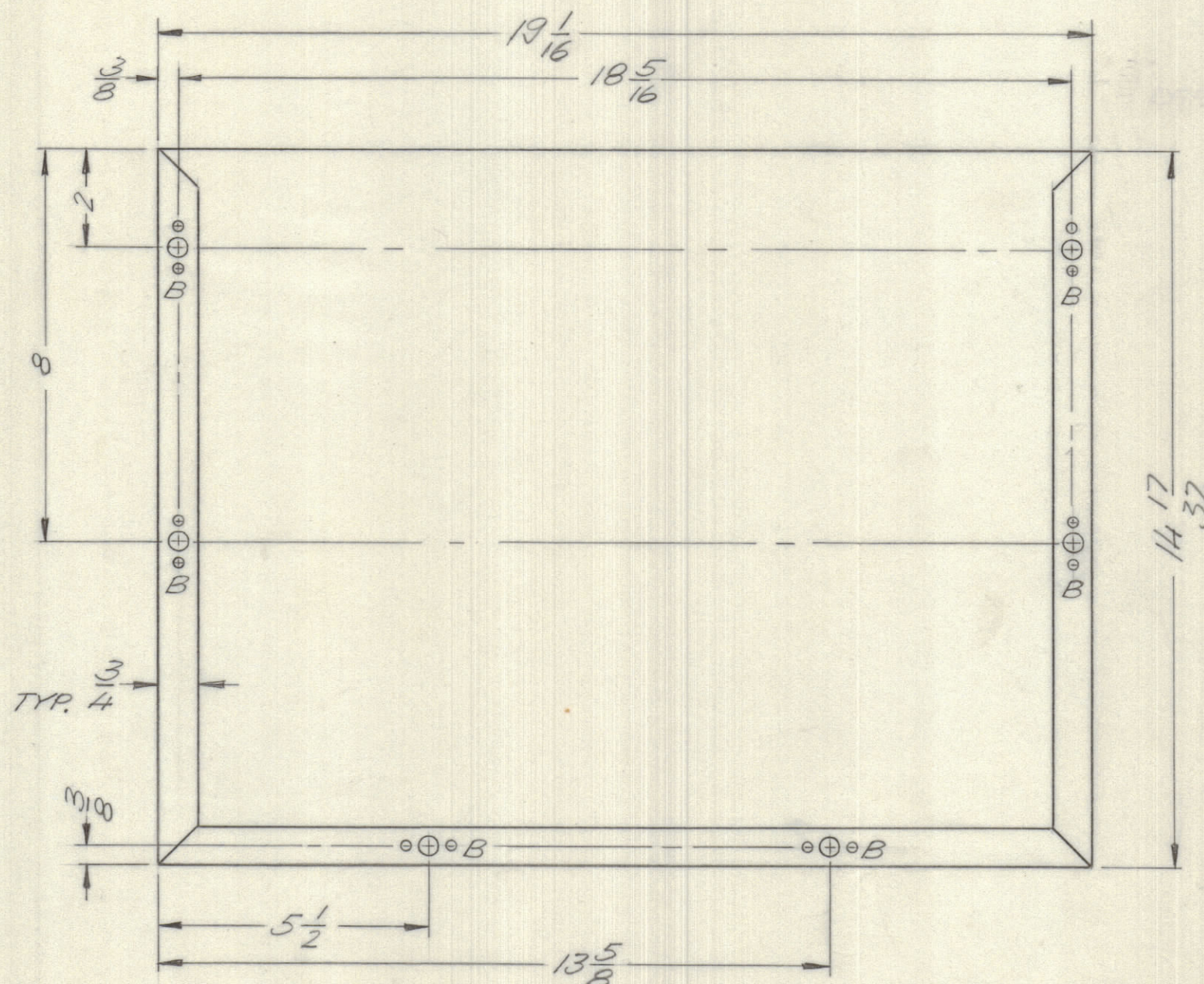
1

REVISIONS							
E.M.N.NO	DRAFT	CHKD	ZONE	LTR	DESCRIPTION	DATE	APPROVED
19611	<i>L. Notarangelo</i>	<i>E.F. Miller</i>	A		REDRAWN & REVIS. COMPL.	10/10/69	

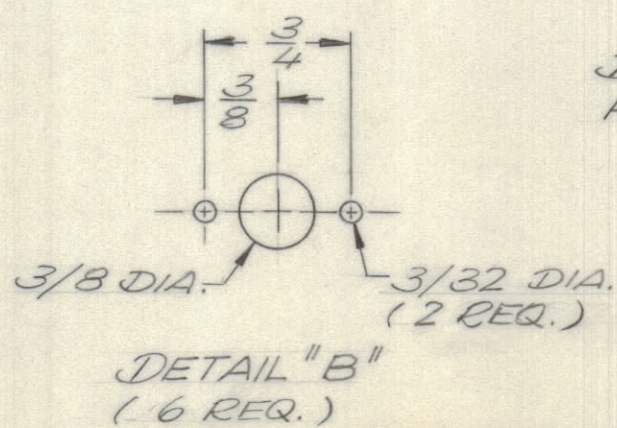


TOP COVER

* NOTE:
 .150 DIA HOLES
 3/16 CENTERS, STAGGERED
 A ~ 1/4 (.250) DIA
 (6 REQ.)



DRILLING PLAN FOR CHASSIS FRONT



QTY. REQ.	ITEM	PART NO.	DESCRIPTION	SYMBOL
-----------	------	----------	-------------	--------

LIST OF MATERIAL

UNLESS OTHERWISE SPECIFIED DIMENSIONS ARE IN INCHES AND INCLUDE CHEMICALLY APPLIED OR PLATED FINISHES		FINAL APPROVAL <i>E.F. MILLER</i>	DATE 11/27/67
TOLERANCES ON		MECH. DES. <i>L. NOTARANGELO</i>	DATE 11/19/67
DECIMALS	FRACTIONS	ELECT. DES.	DATE
.X ± .05	± 1/64	CHECKED <i>G. ORLANDI</i>	DATE 11/21/67
.XX ± .01	ANGLES	DRAWN <i>L. Notarangelo</i>	DATE 10/10/69
.XXX ± .005	± 0° -30'		

THE TECHNICAL MATERIEL CORP.
MAMARONECK, NEW YORK

COVER BC 19 A
TOP

1	BC 19 A	
QTY / UNIT	MODEL USED ON	ASS'Y NO.
APPLICATION		
CODE		

NOTICE TO PERSONS RECEIVING THIS DRAWING
 THE TECHNICAL MATERIEL CORPORATION claims proprietary right in the material disclosed hereon. This drawing is issued in confidence for engineering information only and may not be reproduced or used to manufacture anything shown hereon without permission from THE TECHNICAL MATERIEL CORPORATION to the user. This drawing is loaned for mutual assistance and is subject to recall at any time.

MATERIAL
 .051 PERFORATED ALUM.
 FINISH
 S 404 YELL. IRIDITE

SIZE	CODE IDENT NO.	DWG NO.	ISSUE
C	82679	MS 8051	A
SCALE	SHEET		OF

4

3

2

1