

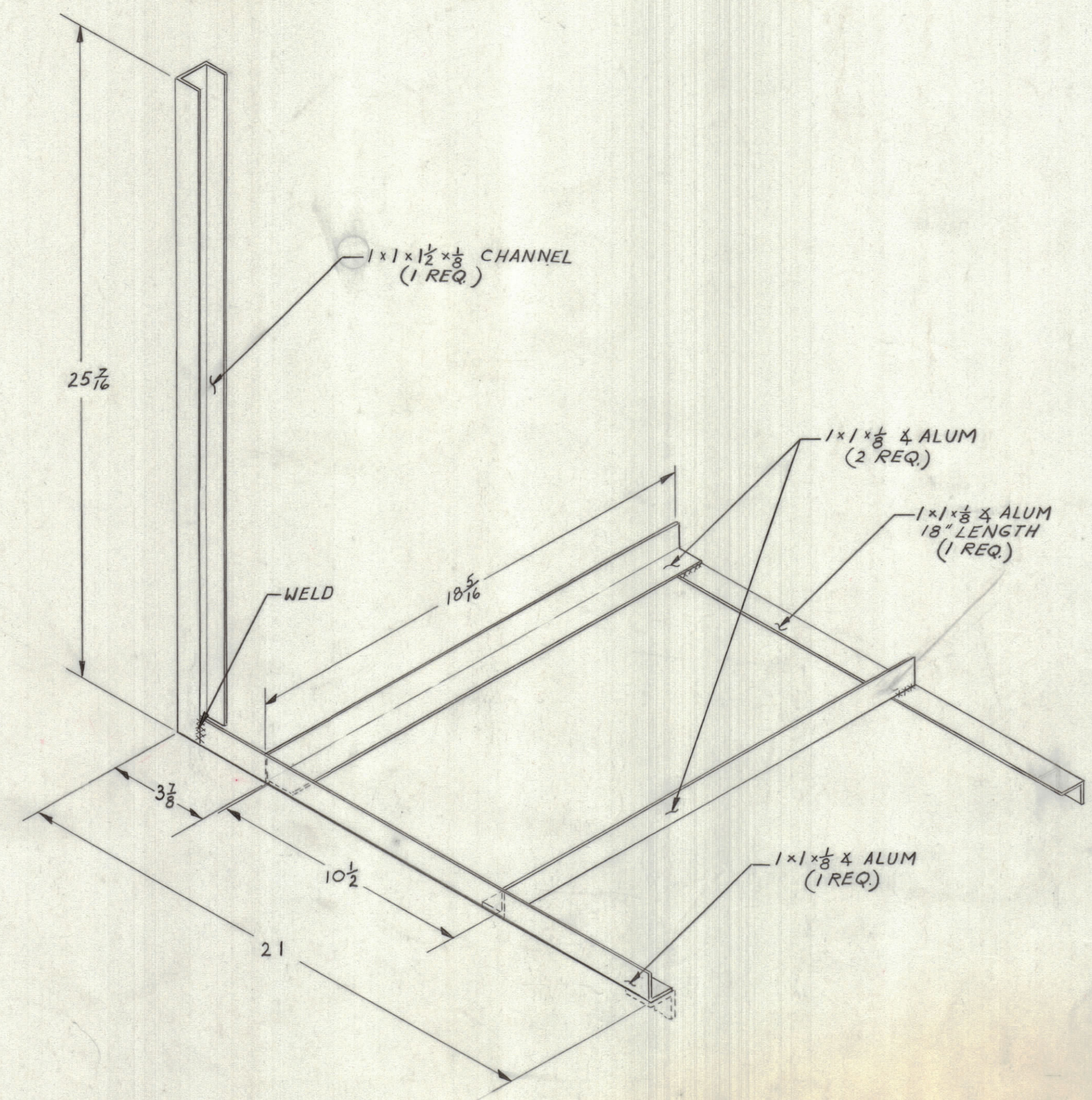
4

3

2

1

REVISIONS							
ZONE	LTR	DESCRIPTION	DATE	E.M.N.NO	DRAFT	CHKD	APPD
	Ø	ORIGINAL RELEASE FOR PRODUCTION	4.3.68	-H	GE		JR



MS8285

1	SPT-3KVHF	AX8019-2
QTY / UNIT	MODEL USED ON	ASS'Y NO.
APPLICATION		
CODE		

**NOTICE TO PERSONS RECEIVING THIS DRAWING**  
 THE TECHNICAL MATERIEL CORPORATION claims proprietary right in the material disclosed hereon. This drawing is issued in confidence for engineering information only and may not be reproduced or used to manufacture anything shown hereon without permission from THE TECHNICAL MATERIEL CORPORATION to the user. This drawing is loaned for mutual assistance and is subject to recall at any time.

UNLESS OTHERWISE SPECIFIED DIMENSIONS ARE IN INCHES AND INCLUDE CHEMICALLY APPLIED OR PLATED FINISHES

TOLERANCES ON	
DECIMALS	FRACTIONS
.X ± .05	± 1/64
.XX ± .01	ANGLES
.XXX ± .005	± 0° -30'

MATERIAL 6061-T6 ALUM,  
 FINISH 5404 YEL. IRIDITE

QTY. REQ.	ITEM	PART NO.	DESCRIPTION	SYMBOL
LIST OF MATERIAL				
FINAL APPROVAL: [Signature] DATE: 4-2-69 MECH. DES.: [Signature] DATE: 6-15-68 ELECT. DES.: [Signature] DATE: [Blank] CHECKED: [Signature] DATE: 2-11-69 DRAWN: C. Grob DATE: 6-18-68				
THE TECHNICAL MATERIEL CORP. MAMARONECK, NEW YORK				
RACK, MOUNTING L/B CAVITY, LEFT HAND				
SIZE	CODE IDENT.NO.	DWG NO.	ISSUE	
C	82679	MS8285	Ø	
SCALE 1/4"			SHEET 1 OF 1	

4

3

2

1