

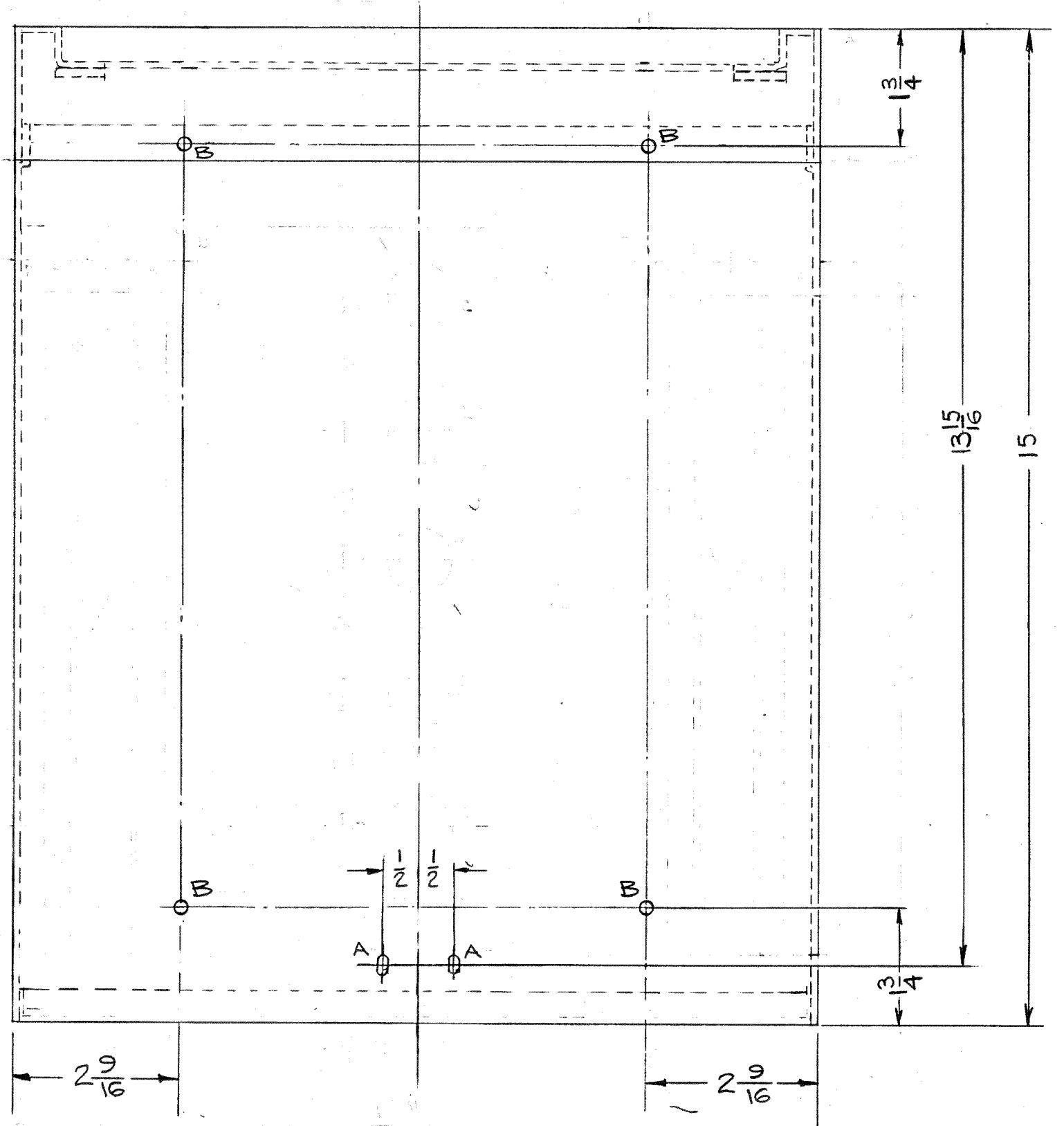
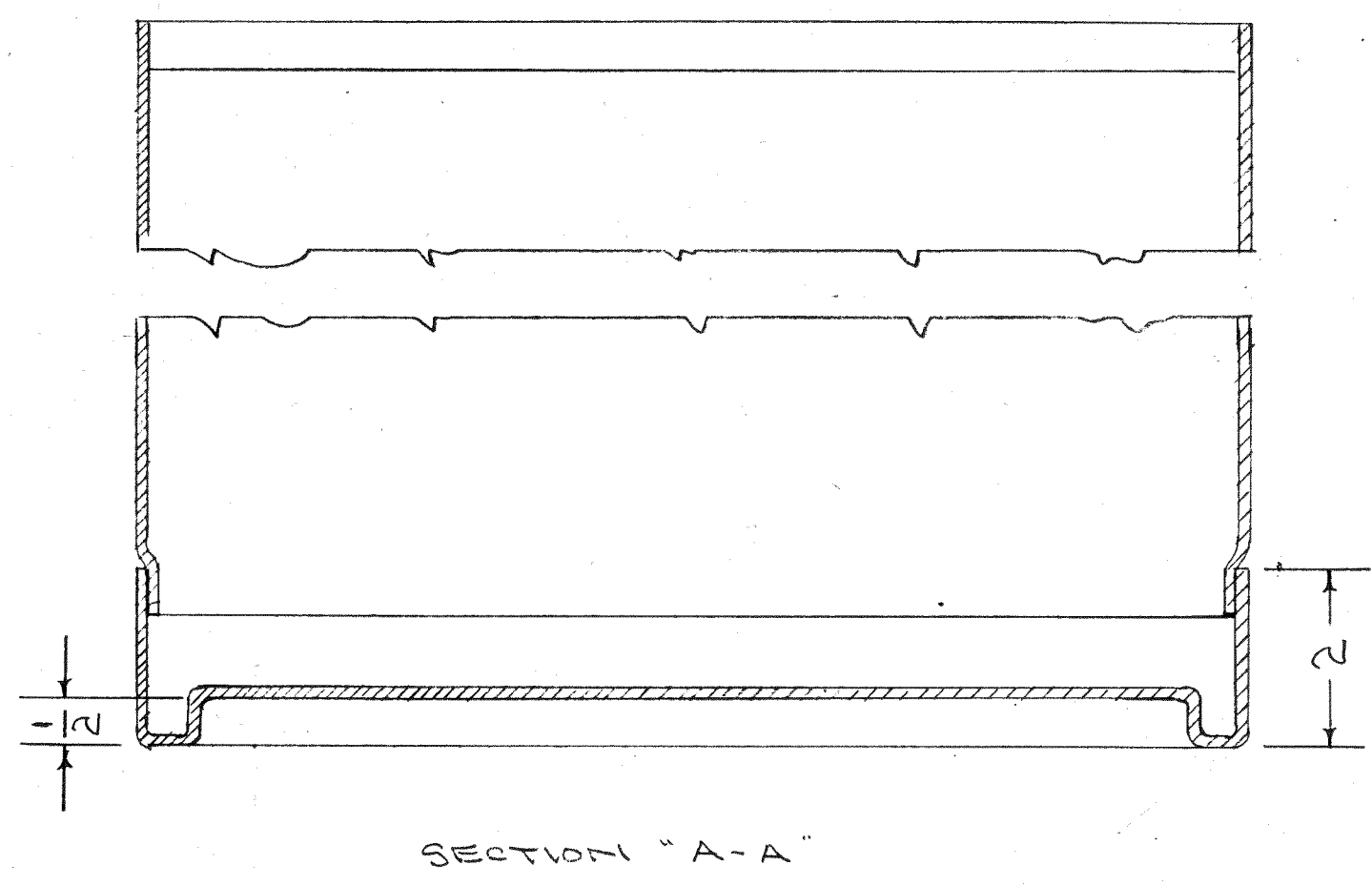
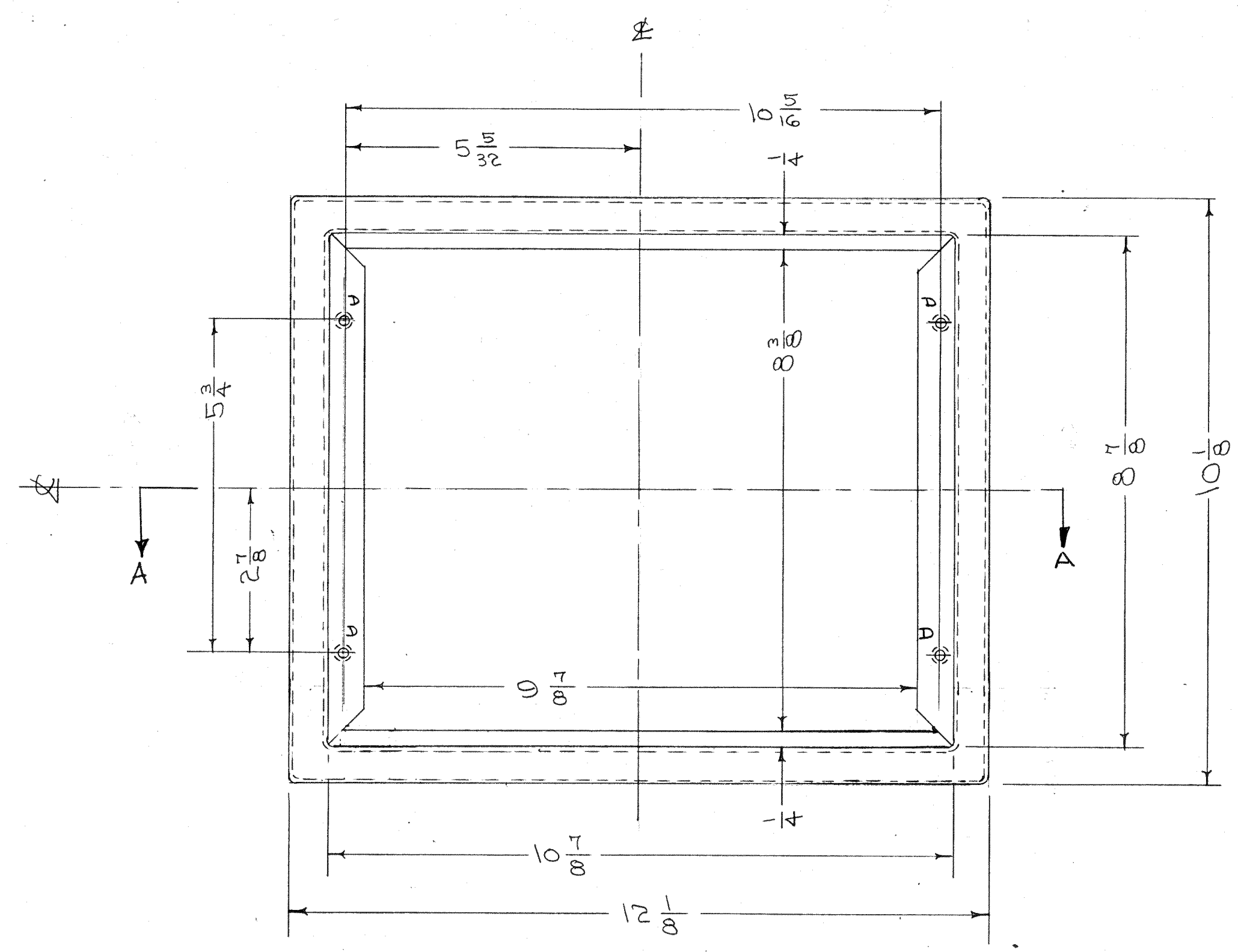
IF IT IS FOUND DESIRABLE TO CHANGE ANY TOLERANCE OR OTHER DETAIL SPECIFIED ON THIS DRAWING NOTIFY THE PURCHASER PROMPTLY.

MAXIMUM ALLOWABLE TOLERANCES HAVE BEEN DETERMINED AND DEVIATIONS WILL BE CAUSE FOR REJECTION. REMOVE ALL BURRS AND SHARP EDGES

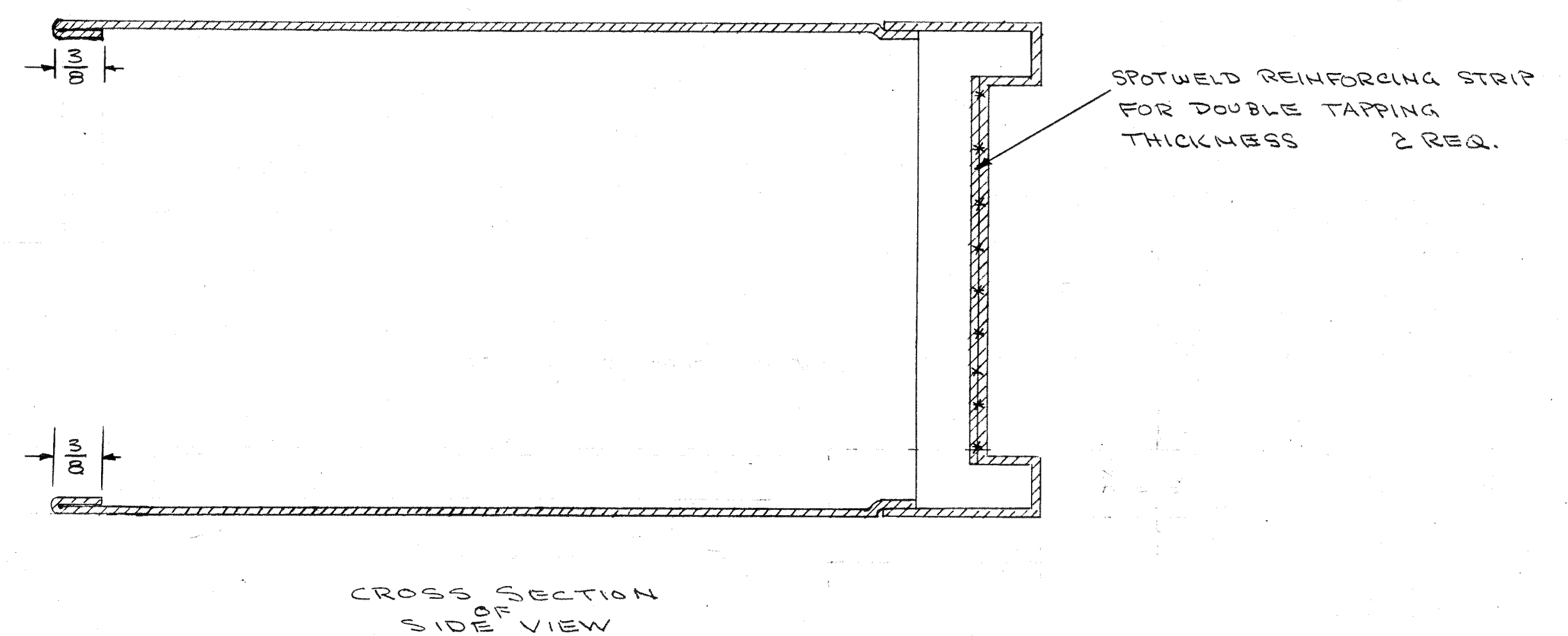
NOTICE TO PERSONS RECEIVING THIS DRAWING

THE TECHNICAL MATERIEL CORPORATION claims proprietary right in the material disclosed herein. This drawing is issued in confidence for engineering information only and may not be reproduced or used to manufacture anything shown hereon without permission from THE TECHNICAL MATERIEL CORPORATION to the extent this drawing is loaned for mutual assistance and is subject to recall at any time.

Property of:
THE TECHNICAL MATERIEL CORPORATION
 MAMARONECK, NEW YORK



- LEGEND**
- A - 1/64 X 1/32 SLOTS
 - B - 13/64 (.203) D
 - D - DRILL & TAP 10-32
- 2 SLOTS REQ.
 - 4 HOLES "
 - 4 " "



NOTE - FINISH

ALL SURFACES - S-114 ZINC CHROMATE PRIMER
 INSIDE " - S-220 RCAF GRAY SEMI GLOSS ENAMEL
 OUTSIDE " - S-254 " " WRINKLE " "

OR PRIME & PAINT TO CUSTOMERS SPECIFICATION.

ISSUE	ITEM	CHANGED FROM	DATE	CH. NO.	DRAFTS	CHECKER	ENG. APP.
D	1	4(D) HOLES, DRILL & TAP WERE 8-32	5/25/52	6696	V.R.R.		
C	2	3/8 LIPS WERE 1/2					
C	2	A SLOT WAS 1/16 D. HOLE	1/4/58	3	K	JAC	CH
	1	13 19/16 WAS 14 3/16					
B	3	TRACK & C HOLES DELE.					
	2	REAR VIEW / PERFORATION DELE.	1/24/57	2	K	JAC	JL
A	1	HOLES MOVED TO 1/16 DIA.	10/1/56	1	K	JAC	JL
	1	18 WAS 20 (TOP HOLE)					
A	1	DIM. ADDED TO REAR VIEW	1/16/56	1	K	JAC	JL

TOLERANCES
 DEC. DIM. ± 1/4
 FRA. DIM. ± 1/4
 ANGULAR DIM. ±

SCALE:
 DRILL PUNCH, COMMERCIAL STOCK
 SIZES AND MANUFACTURERS
 TOLERANCES ARE NOT INCLUDED.

REQ. PER UNIT	MODEL	PROJECT NO.	APPY. NO.	DATE
1	GPS-2	459		1-24-57
1	G5B-1	459		5-24-56

USED ON

REQ. ITEM	PART NO.	DESCRIPTION	SYMBOL
	062	THE TECHNICAL MATERIEL CORP. MAMARONECK, NEW YORK	
	MILD STEEL	CABINET	

MS-949-D