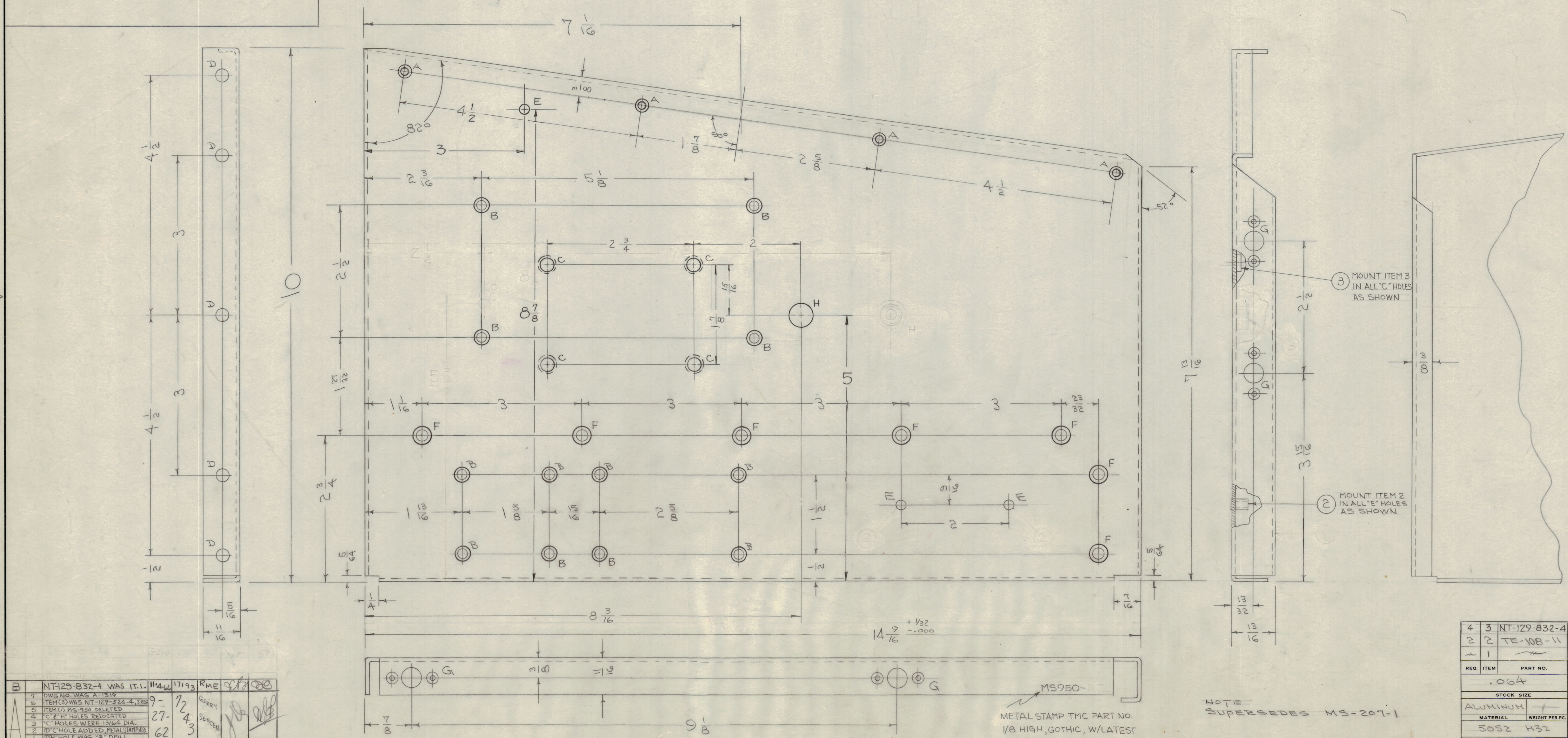
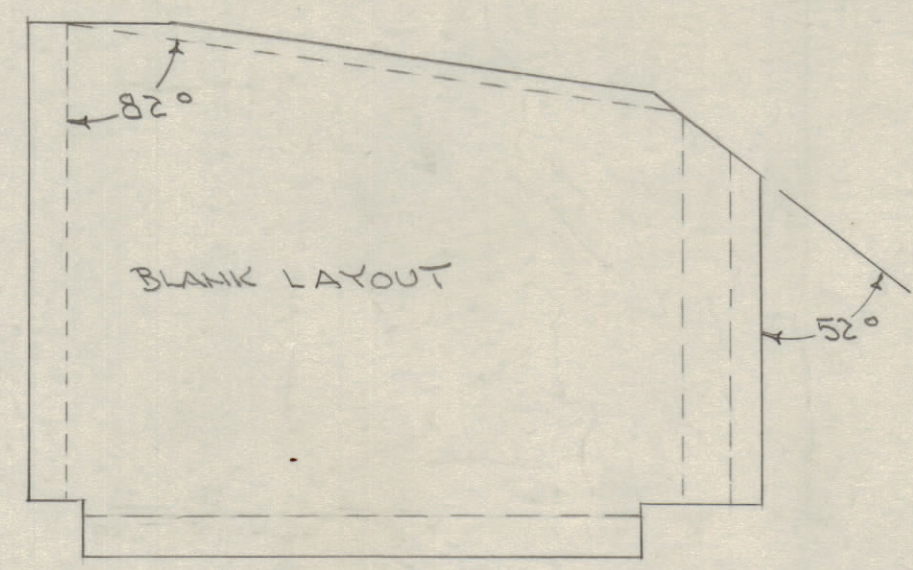
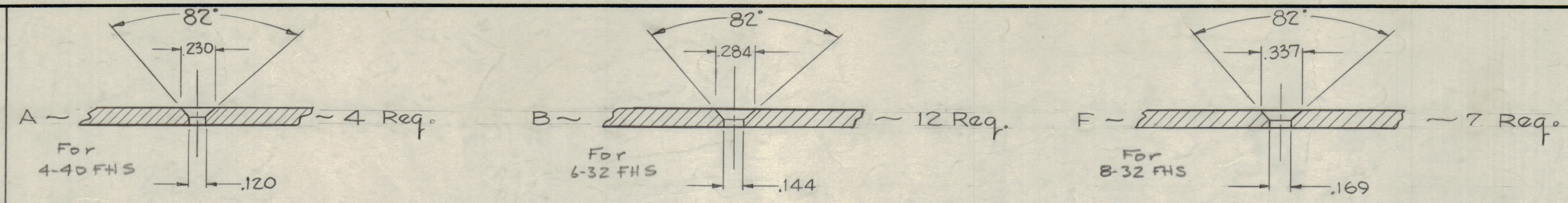
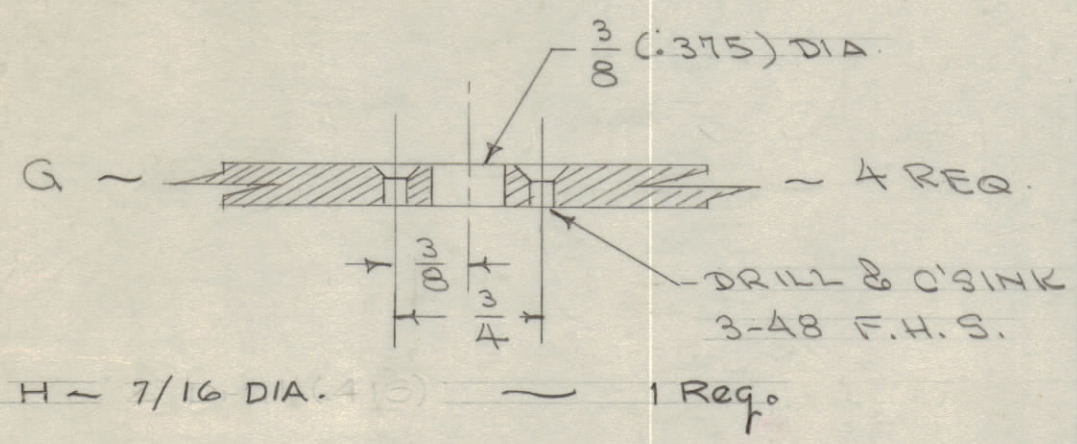


IF IT IS FOUND DESIRABLE TO CHANGE ANY TOLERANCE OR OTHER DETAIL SPECIFIED ON THIS DRAWING NOTIFY THE PURCHASER PROMPTLY.
 MAXIMUM ALLOWABLE TOLERANCES HAVE BEEN DETERMINED AND DEVIATIONS WILL BE CAUSE FOR REJECTION. REMOVE ALL BURRS AND SHARP EDGES

NOTICE TO PERSONS RECEIVING THIS DRAWING
 THE TECHNICAL MATERIEL CORPORATION claims proprietary right in the material disclosed hereon. This drawing is issued in confidence for engineering information only and may not be re-used or used to manufacture any thing shown hereon without permission from THE TECHNICAL MATERIEL CORPORATION to the user. This drawing is loaned for mutual assistance and is subject to recall at any time.
 Property of:
 THE TECHNICAL MATERIEL CORPORATION
 MAMARONECK, NEW YORK

C - .224-.221 DIA. 4-REQ.
 D - 1/4 (.250) DIA. 5-REQ.
 E - 3/16 (.187) DIA. 3-REQ.



7	DWG NO. WAS A-1319	11/24/44	17193	RME	1/27/43	RECEIVED	
6	ITEM (3) WAS NT-129-824-4, 3200	9-27-43	17193	RECEIVED	1/27/43	RECEIVED	
5	ITEM (1) WAS 750 DELETED	9-27-43	17193	RECEIVED	1/27/43	RECEIVED	
4	1/2" HOLES RELIGATED	9-27-43	17193	RECEIVED	1/27/43	RECEIVED	
3	C HOLES WERE 13/64 DIA.	9-27-43	17193	RECEIVED	1/27/43	RECEIVED	
2	D HOLES WERE 13/64 DIA.	9-27-43	17193	RECEIVED	1/27/43	RECEIVED	
1	DH HOLE WAS 1/2" DEPTH	9-27-43	17193	RECEIVED	1/27/43	RECEIVED	

MS950-
 METAL STAMP TMC PART NO. 1/8 HIGH, GOTHIC, W/LATEST REVISION LETTER.

NOTE
 SUPERSEDES MS-207-1

4	3	NT-129-832-4	NUT, ROUND, SWAGE TYPE	
2	2	TE-108-11	STANDOFF	
1	1		DELETED	
REQ. ITEM	PART NO.	DESCRIPTION	SYMBOL	
	.064	THE TECHNICAL MATERIEL CORP. MAMARONECK, NEW YORK		
STOCK SIZE		ALUMINUM		
MATERIAL		RIGHT SIDE PLATE		
TYPE & TEMPER		SUB ASSY. XFK.		
HEAT TREAT. SPEC.		DRAWN 5/31/44		
FINISH & SPEC. NO.		ELEC. DES. APP. MECH. DES. APP.		
		CHECKED		
		FINAL APPROVAL		
		MS 950 B		

1	XFK	PROJECT NO. A-680	ASSY. NO. 5-31-56	DATE
REQ. PER UNIT	MODEL	PROJECT NO.	ASSY. NO.	DATE
USED ON				

MS 950 B