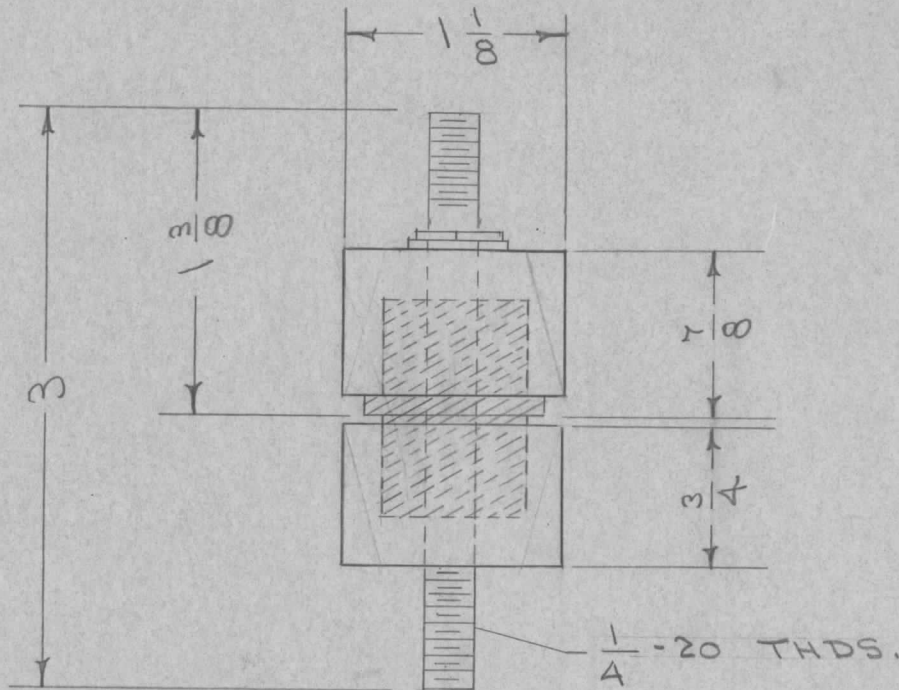


# STANDARD DRAWING

REQ. PER UNIT	USED ON		NS-119	C
	MODEL	ASS'Y. NO.		



STUD - BRASS, HOT TINNED  
 WASHER - NEOPRENE  
 INSULATORS - STEATITE  
 L3 OR BETTER  
 GLAND - SEE CHART

TMC PART NO.	GLAND	MFG NO
NS119	NEOPRENE	1125-D
NS119-1	NONE	
NS119-2	TEFLON (PX-437)	

REF: HELDOR BUSHING & TERM. CO. # 1125-D

ISSUE	ITEM	CHANGED FROM	DATE	CH. NO.	DRAFTS	CHECKER	ENG. APP.	REQ. ITEM	PART NO.	DESCRIPTION	SYMBOL		
C	1	DELETED - 2 (GLAND, TEFLON PX-437)	8/26/59	1235	amc	JCB	JCB			<b>THE TECHNICAL MATERIEL CORP.</b> MAMARONECK, NEW YORK <b>BUSHING</b> <b>FEED THRU</b>			
B	1	Chart added	4/29/59	2	JCB	JCB	JCB						
A	1	CAT. NO. WAS 1125-B	8/18/57	1	sc	JCB	JCB						
TOLERANCES		SCALE:		TYPE & TEMPER		HEAT TREAT. SPEC.		DRAWN			CHECKED		FINAL APPROVAL
DEC. DIM. ±		MAXIMUM ALLOWABLE TOLERANCES HAVE BEEN DETERMINED AND ANY DEVIATIONS WILL BE CAUSE FOR REJECTION.		FINISH & SPEC. NO.		ELEC. DES. APP.		MECH. DES. APP.		NS-119		C	
FRAC. DIM. ±		REMOVE ALL BURRS AND SHARP EDGES											
ANGULAR DIM. ±													