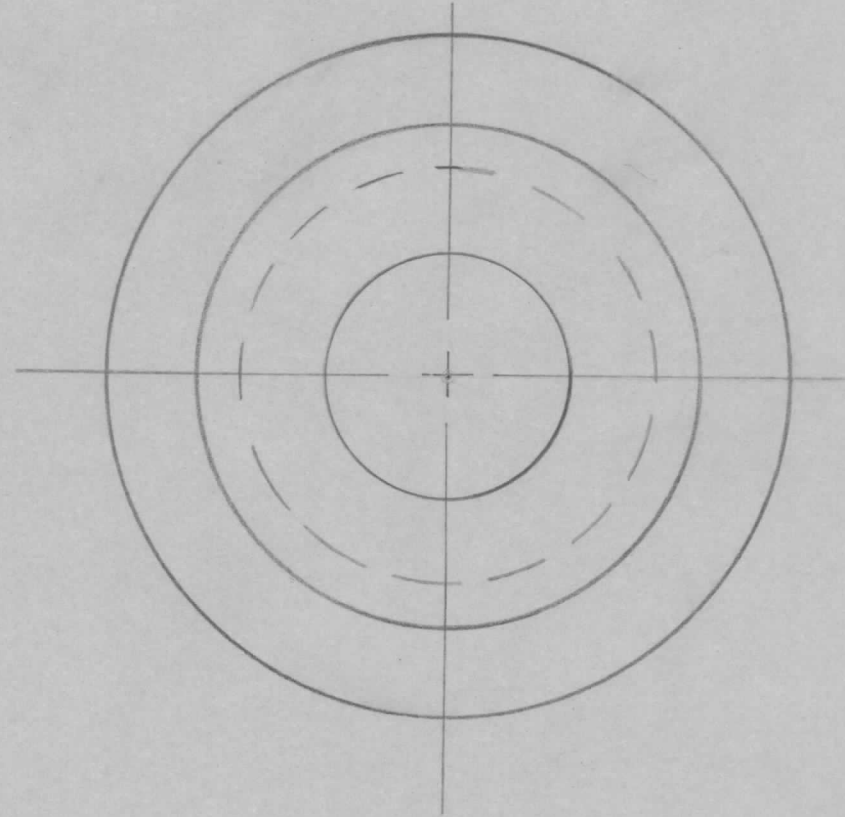
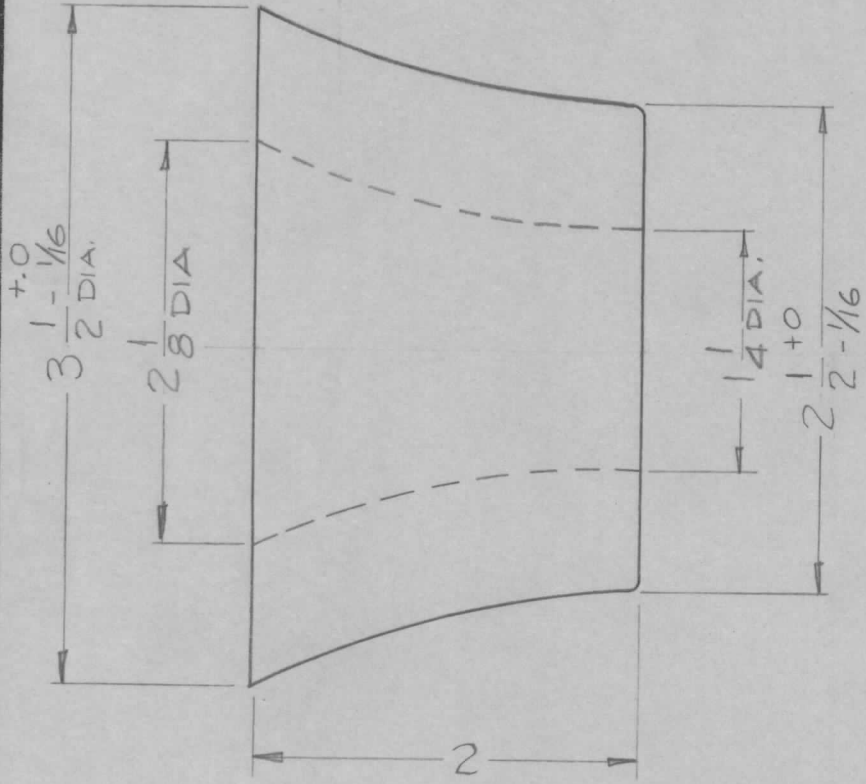


REQ. PER. UNIT	USED ON		
	MODEL	ABB'Y. NO.	DATE
1	VRA-5		9-8-61
1	VRA-6		9-8-61

NS-131



								REQ. ITEM	PART NO.	DESCRIPTION	SYMBOL				
										THE TECHNICAL MATERIEL CORP.					
								STOCK SIZE		MAMARONECK, NEW YORK					
								PORCELIN		INSULATOR, PORCELAIN					
								MATERIAL							
ISSUE	ITEM	CHANGED FROM	DATE	CH. NO.	DRAFTS	CHECKER	ENG. APP.			D.J. Ryan	AB				
TOLERANCES			SCALE: S-401-135 (RA-938)									9AM			
DEC. DIM. ±			MAXIMUM ALLOWABLE TOLERANCES HAVE BEEN DETERMINED AND ANY DEVIATIONS WILL BE CAUSE FOR REJECTION. REMOVE ALL BURRS AND SHARP EDGES					TYPE & TEMPER	HEAT TREAT. SPEC.	DRAWN	CHECKED	FINAL APPROVAL			
FRAC. DIM. ±								CHOCOLATE GLAZE		C.R.F.					
ANGULAR DIM. ±								FINISH & SPEC. NO.		ELEC. DES. APP		MECH. DES. APP		NS-131	