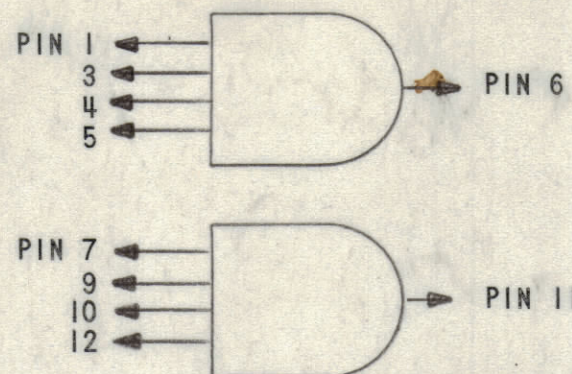
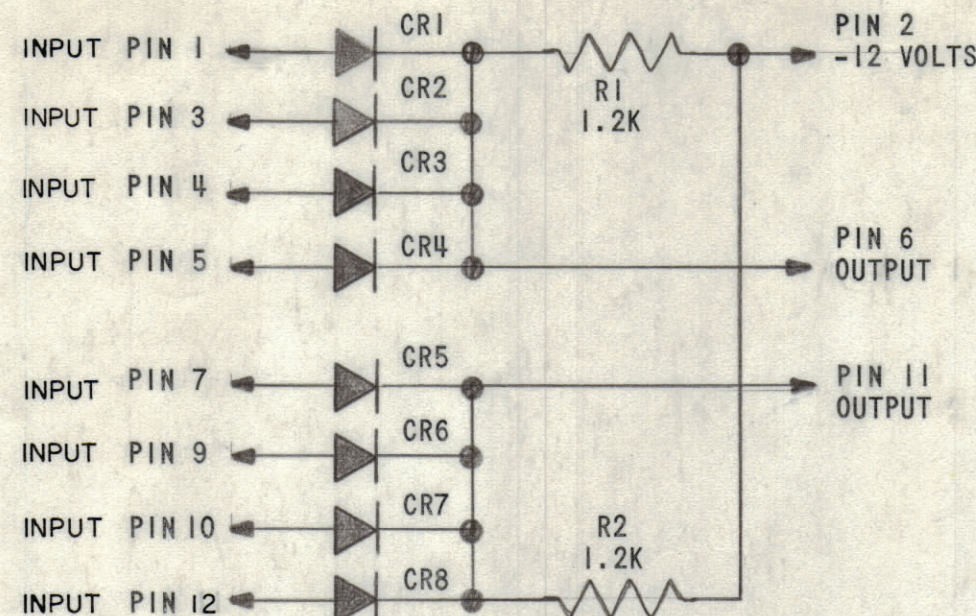


NW141-42

LOGIC DIAGRAM



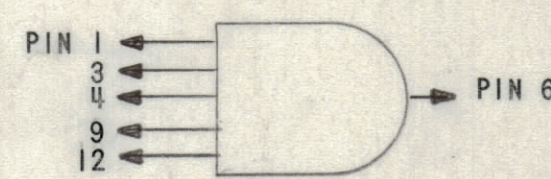
SCHEMATIC DIAGRAM



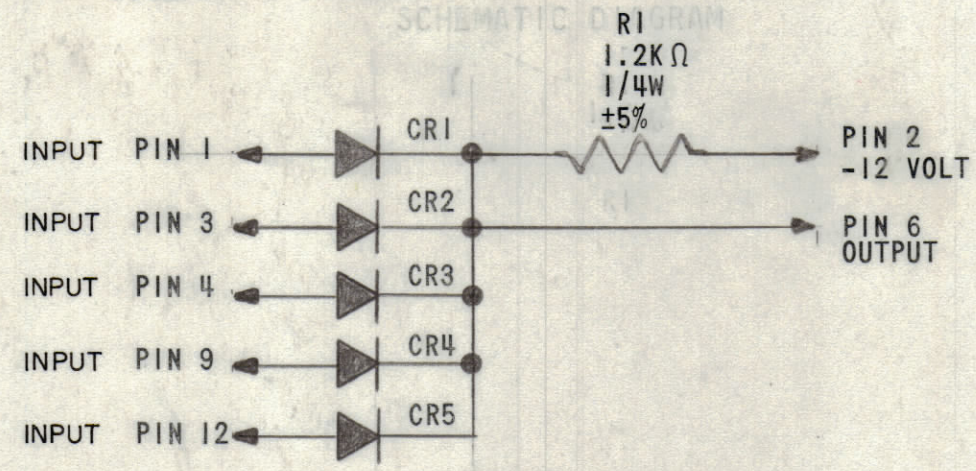
ALL DIODES ARE IN914 ALL RESISTANCE VALUES ARE IN OHMS, 1/4 WATT, ± 5%

NW141-51

LOGIC DIAGRAM



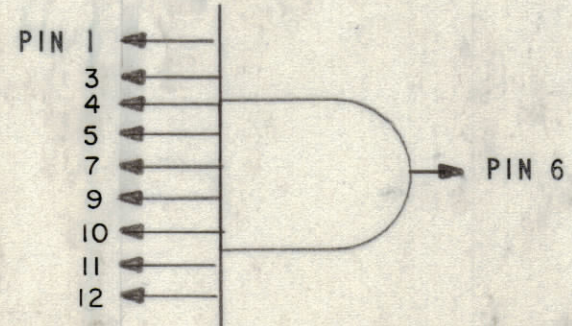
SCHEMATIC DIAGRAM



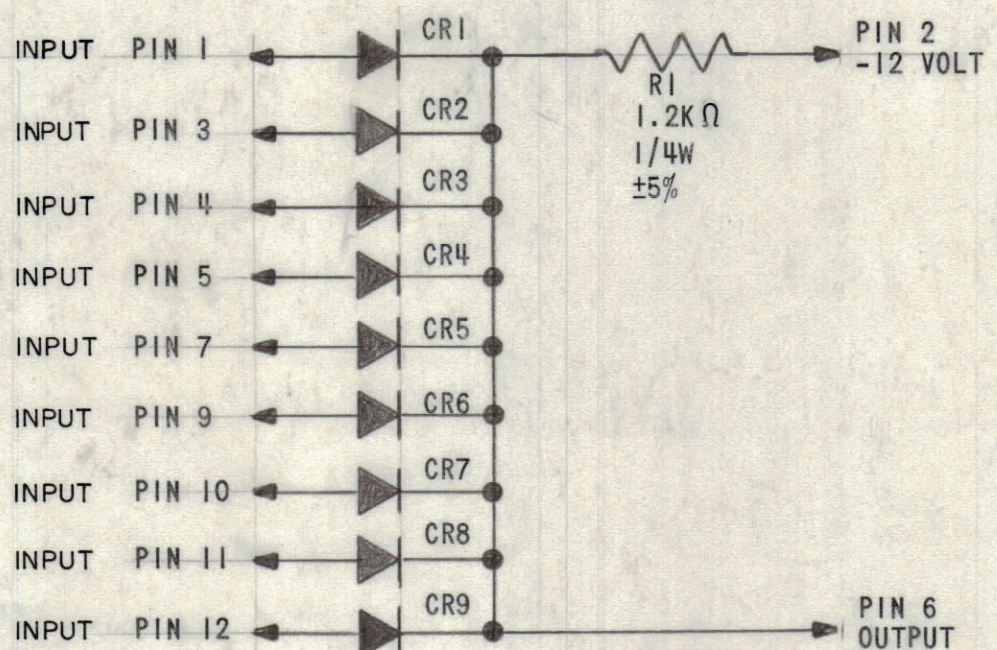
ALL DIODES ARE IN914

NW141-91

LOGIC DIAGRAM

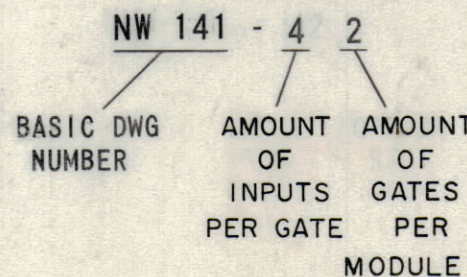


SCHEMATIC DIAGRAM



ALL DIODES ARE IN914

TMC PART NUMBER SHALL APPEAR IN THE FOLLOWING FORM:



DDRR-10M, 10K		
QTY / UNIT	MODEL USED ON	ASS'Y NO.
APPLICATION		
CODE		

NOTICE TO PERSONS RECEIVING THIS DRAWING  
 THE TECHNICAL MATERIEL CORPORATION claims proprietary right in the material disclosed hereon. This drawing is issued in confidence for engineering information only and may not be reproduced or used to manufacture anything shown hereon without permission from THE TECHNICAL MATERIEL CORPORATION to the user. This drawing is loaned for mutual assistance and is subject to recall at any time.

UNLESS OTHERWISE SPECIFIED DIMENSIONS ARE IN INCHES AND INCLUDE CHEMICALLY APPLIED OR PLATED FINISHES

TOLERANCES ON

DECIMALS	FRACTIONS
.X ± .05	± 1/64
.XX ± .01	ANGLES
.XXX ± .005	± 0° -30'

MATERIAL  
FINISH

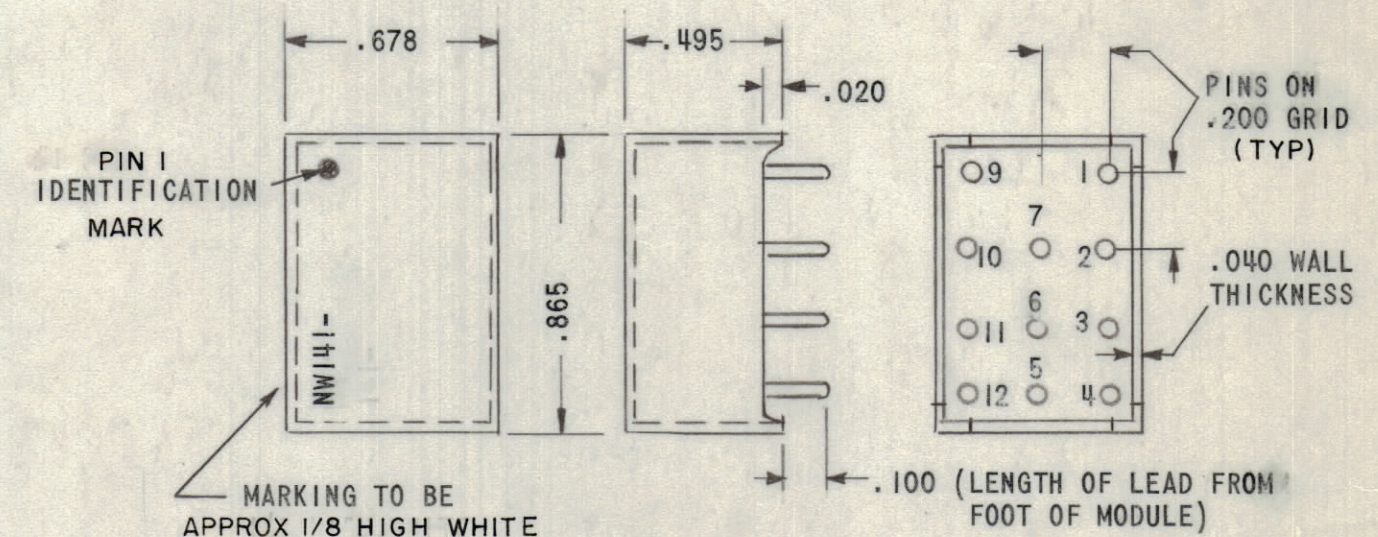
REVISIONS							
ZONE	LTR	DESCRIPTION	DATE	E.M.N.NO	DRAFT	CHKD	APPD
	X	EXPERIMENTAL RELEASE	2/25/69			C.V.	
	X1	ELEC SPEC REVISED	4/10/69			LH-MAG	
	X2	12 VOLT LOGIC TO ELEC. SPEC. ADD.	4/16/69			LH-MAG	
	Ø	ORIGINAL RELEASE FOR PRODUCTION	9/24/70			G	

ELECTRICAL SPECIFICATIONS

PIN 2 -12V  
 SWITCHING CHARACTERISTICS  
 12 VOLT LOGIC  
 EACH INPUT MIN VOLTAGE -5.3 VDC  
 EACH OUTPUT MIN VOLTAGE -6.0 VDC  
 OPERATING TEMP 0°C TO +75°C

MECHANICAL SPECIFICATIONS

POTTING COMPOUND: EPOTEC 509  
 CASE MATERIAL: DIALLYL PHTHALATE  
 POLARIZING PIN: PIN #8



MARKING TO BE APPROX 1/8 HIGH WHITE GOTHIC EPOXY  
 MARK AS REQD:  
 NW141-42  
 NW141-51  
 NW141-91

NOTE:  
 PINS ARE EXTRUDED COMPONENT LEADS (DO NOT USE TRANSISTOR LEADS FOR MOUNTING PINS)

QTY. REQ.	ITEM	PART NO.	DESCRIPTION	SYMBOL
-----------	------	----------	-------------	--------

LIST OF MATERIAL

FINAL APPROVAL	DATE
<i>[Signature]</i>	2/24/70
MECH. DES.	DATE
<i>[Signature]</i>	2-24-70
ELECT. DES.	DATE
CHECKED	DATE
<i>[Signature]</i>	3/24/69
DRAWN	DATE
<i>[Signature]</i>	3/22/69

THE TECHNICAL MATERIEL CORP.  
 MAMARONECK, NEW YORK

NETWORK, DIGITAL AND GATE

SIZE	CODE IDENT.NO.	DWG NO.	ISSUE
C	82679	NW 141	Ø
SCALE	SHEET		OF