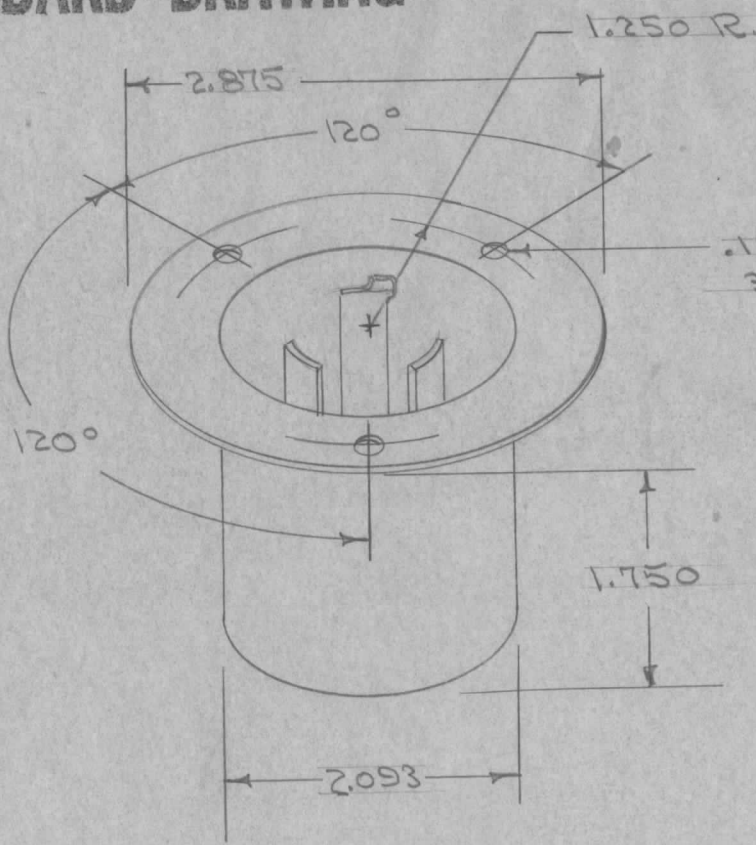


STANDARD DRAWING

REQ. PER UNIT	USED ON			PL-133	A
	MODEL	ASS'Y. NO.	DATE		



TYPE	DESCRIPTION
NG	NO GROUND
WG	WITH GROUND SHUNT

PL-133-NG
 TMC NO TYPE

(IF DESIRED WITH GROUND SHUNT FROM ONE CONTACT TO CASING, ADD LETTER "G" TO CATALOGUE NUMBER)

20 A. 250 V. AC OR DC
 10 A. 575 V AC

NOTE:
 DIMENSIONS ARE FOR REFERENCE ONLY.

REF. DWG. PL-134

REF: HARVEY HUBBELL INC. CAT. No. 7327

							REQ. ITEM	PART NO.	DESCRIPTION	SYMBOL	
									THE TECHNICAL MATERIEL CORP. MAMARONECK. NEW YORK	A	
							STOCK SIZE				
							MATERIAL		PLUG, 20A-3 WIRE- LOCKING TYPE-POLARIZED		
ISSUE	ITEM	CHANGED FROM	DATE	CH. NO.	DRAFTS	CHECKER	ENG. APP.				
A		ADD DIMENSION NOTE	11/2/66	17/56	RME	<i>[Signature]</i>	<i>[Signature]</i>				
TOLERANCES			SCALE:					DRAWN	CHECKED	FINAL APPROVAL	
DEC. DIM. ±			MAXIMUM ALLOWABLE TOLERANCES HAVE BEEN DETERMINED AND ANY DEVIATIONS WILL BE CAUSE FOR REJECTION.			TYPE & TEMPER		HEAT TREAT. SPEC.			
FRAC. DIM. ±			REMOVE ALL BURRS AND SHARP EDGES								
ANGULAR DIM. ±						FINISH & SPEC. NO.		ELEC. DES. APP.	MECH. DES. APP.		
									0.1P	<i>[Signature]</i>	
											PL-133
											A