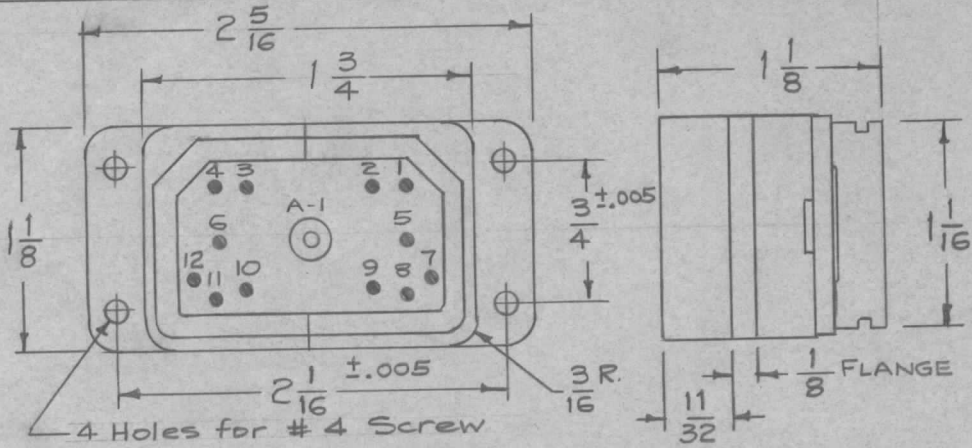


REQ. PER UNIT	USED ON		
	MODEL	ASS'Y. NO.	DATE
1			PL-160

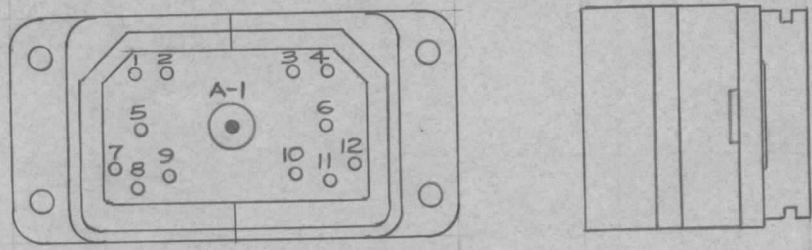


TMC NO. PL-160-P (MFG. DPX-13HV1-34P)

Shell Type Split
 Shell Material Aluminum Alloy Die Cast
 Shell Finish Cadmium Plate
 Contact Material Copper Alloy
 Contact Finish Gold Plate
 Insulation Melamine (XXXP)

PL-160-P

All Dimensions Same as Above



TMC NO. PL-160-S (MFG. DPX-13HV1-34S)

Contact Code
 ● = Pin (male)
 ○ = Socket (female)

Contact Rating
 12- 5amp (#1-12)
 1- HV 5amp (#A-1)

PL-160-S

Note:
 PL-160-P Mates with JJ-158-S
 PL-160-S Mates with JJ-158-P
 Shell Dwg. - PO-150

REF- CANNON ELECTRIC Co. TYPE DPX-13HV1-34 ^x

REQ. ITEM	PART NO.	DESCRIPTION	SYMBOL
		THE TECHNICAL MATERIEL CORP. MAMARONECK. NEW YORK	
		CONNECTOR, PLUG	
ISSUE	ITEM	CHANGED FROM	DATE
TOLERANCES		SCALE:	
DEC. DIM. ±		MAXIMUM ALLOWABLE TOLERANCES HAVE BEEN DETERMINED AND ANY DEVIATIONS WILL BE CAUSE FOR REJECTION.	
FRAC. DIM. ± 1/64		REMOVE ALL BURRS AND SHARP EDGES	
ANGULAR DIM. ±			
TYPE & TEMPER		HEAT TREAT. SPEC.	DRAWN
			16 ⁴ /30/58
FINISH & SPEC. NO.		ELEC. DES. APP.	MECH. DES. APP.
			6/18
		FINAL APPROVAL	
		A. J. J.	
		PL-160	