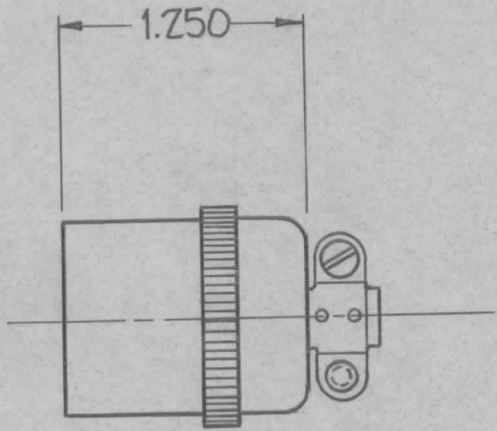
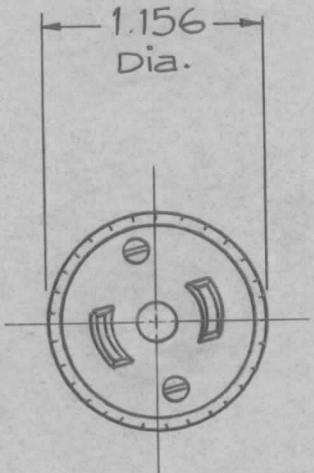


REQ. PER. UNIT	USED ON			PL-176
	MODEL	ASS'Y. NO.	DATE	
1	GPT 10K		5-13-59	



SPECIFICATIONS:
 MIDGET SIZE
 BLACK BAKE LITE
 POLARIZED
 10 AMPS, 250 VOLTS
 15 AMPS, 125 VOLTS

REF: JUBBEL D.C. NO. 7484

REQ.	ITEM	PART NO.	DESCRIPTION			SYMBOL
			THE TECHNICAL MATERIEL CORP. MAMARONECK, NEW YORK			
			PLUG, TWIST LOCK FEMALE (POLARIZED)			
			J.C. BIELE			
			DRAWN			
			CHECKED			
			FINAL APPROVAL			
			PL-176			

ISSUE	ITEM	CHANGED FROM	DATE	CH. NO.	DRAFTS	CHECKER	ENG. APP.
TOLERANCES			SCALE: 5401-43 (7484)				
DEC. DIM. ± FRAC. DIM. ± ANGULAR DIM. ±			MAXIMUM ALLOWABLE TOLERANCES HAVE BEEN DETERMINED AND ANY DEVIATIONS WILL BE CAUSE FOR REJECTION. REMOVE ALL BURRS AND SHARP EDGES				