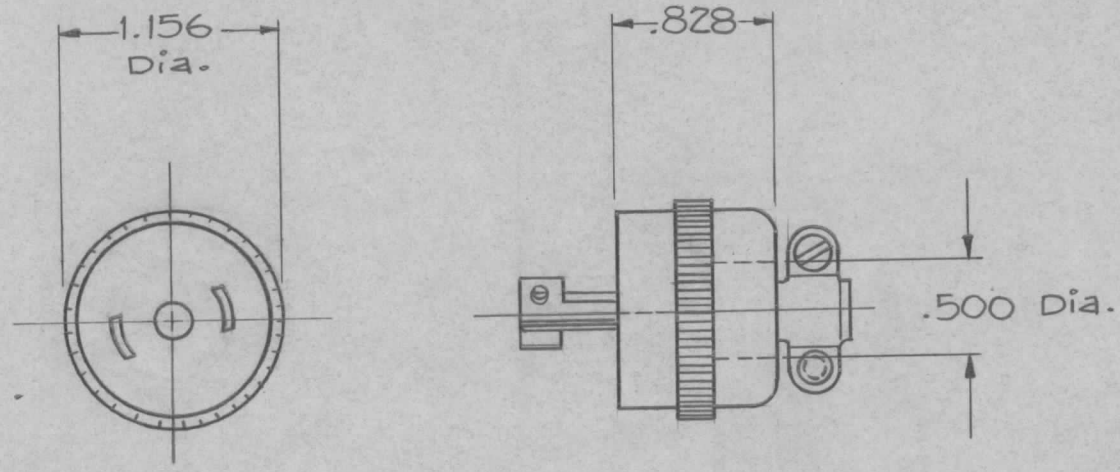


REQ. PER. UNIT	USED ON		PL-177
	MODEL	ASS'Y. NO.	
	RAK-22		5-13-59



SPECIFICATION:
 MIDGET SIZE
 BLACK BAKELITE
 POLARIZED
 10 AMPS, 250 VOLTS
 15 AMPS, 125 VOLTS

REF - HUBBEL NO - NO 7482

							REQ.	ITEM	PART NO.	DESCRIPTION	SYMBOL			
										THE TECHNICAL MATERIEL CORP.				
										MAMARONECK, NEW YORK				
										PLUG, TWIST LOCK				
										MALE (POLARIZED)				
ISSUE	ITEM	CHANGED FROM	DATE	CH. NO.	DRAFTS	CHECKER	ENG. APP.			J.C. BIELE				
TOLERANCES			SCALE: 5-401-43 (7485)								<i>file</i>	<i>AMB</i>		
DEC. DIM. ±			MAXIMUM ALLOWABLE TOLERANCES HAVE BEEN DETERMINED AND ANY DEVIATIONS WILL BE CAUSE FOR REJECTION. REMOVE ALL BURRS AND SHARP EDGES				TYPE & TEMPER	HEATTREAT. SPEC.	DRAWN	CHECKED	FINAL APPROVAL			
FRAC. DIM. ±									<i>G.G.</i>				PL-177	
ANGULAR DIM. ±											ELEC. DES. APP	MECH. DES. APP		
									FINISH & SPEC. NO.					