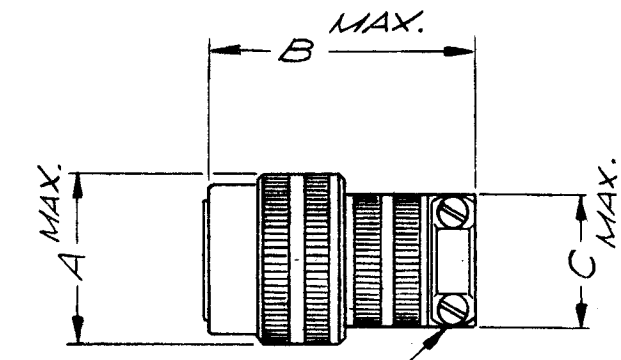


TMC P/N	MFG P/N	CONTACTS			A	B	C	CONSTR TYPE	MATCHING CONNECTOR
		TYPE	QTY	SIZE					
PL212-1	67-06C18-64P	PIN	14	16	1.352	2.088	1.185	C	JJ200-1
-2	67-06C18-64S	SOCKET	14	16	1.352	2.088	1.185	C	JJ200-2
-3	67-06C18-24P	PIN	24	20	1.352	2.088	1.185	C	JJ200-3
-4	67-06C18-24S	SOCKET	24	20	1.352	2.088	1.185	C	JJ200-4
-5	67-06E12-60S	SOCKET	3	16	.937	1.690	.875	E	JJ200-5
-6	67-06C14-5P	PIN	5	20	1.062	1.853	.937	C	JJ200-6
-7	67-06C18-65S	SOCKET	11	7-20 4-16	1.352	2.088	1.185	C	JJ200-7
-8	67-06C14-5S	SOCKET	5	20	1.062	1.853	.937	C	JJ200-8
-9	67-06C20-37P	PIN	37	20	1.480	1.970	1.312	C	JJ200-9
-10	67-06C20-37S	SOCKET	37	20	1.480	1.970	1.312	C	JJ200-10
-11	67-06C22-48P	PIN	48	20	1.606	1.970	1.440	C	JJ200-11
-12	67-06C22-48S	SOCKET	48	20	1.606	1.970	1.440	C	JJ200-12

REVISIONS						
ZONE	LTR	DESCRIPTION	DATE	E.M.N.NO	DRAFT	CHKD APPD
	G	REDRAWN & UPDATED	1/7/68	19158	CV	JDC EFM

NOMINAL CURRENT RATING  
 NO 16 CONTACTS 17.0 AMPERES  
 NO 20 CONTACTS 7.5 AMPERES  
 VOLTAGE RATING: 500 V.RMS

CONSTRUCTION TYPE : C - STANDARD CABLE CLAMP  
 E - GROMMET / CLAMP INDIVID.  
 SEALS EACH CONDUCTOR



SEE CONSTRUCTION TYPE FOR CLAMP

NOTE:  
 SEE JJ - 200 FOR MATCHING CONNECTORS

QTY / UNIT	MODEL USED ON	ASS'Y NO.	UNLESS OTHERWISE SPECIFIED DIMENSIONS ARE IN INCHES AND INCLUDE CHEMICALLY APPLIED OR PLATED FINISHES	FINAL APPROVAL	DATE	LIST OF MATERIAL			
APPLICATION			DECIMALS .X ± .05 .XX ± .01 .XXX ± .005 TOLS. 1/64 ANGLES 0° - 30'	RK	1/7/68	THE TECHNICAL MATERIEL CORP.			
CODE				MATERIAL			MAMARONECK, NEW YORK		
NOTICE TO PERSONS RECEIVING THIS DRAWING THE TECHNICAL MATERIEL CORPORATION claims proprietary right in the material disclosed hereon. This drawing is issued in confidence for engineering information only and may not be reproduced or used to manufacture anything shown hereon without permission from THE TECHNICAL MATERIEL CORPORATION to the user. This drawing is loaned for mutual assistance and is subject to recall at any time.			FINISH			CONNECTOR, PLUG			
						SIZE	CODE IDENT. NO.	DWG NO.	ISSUE
						B	82679	PL 212	G
						SCALE		SHEET	OF