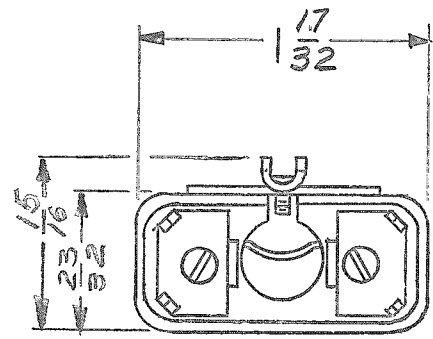
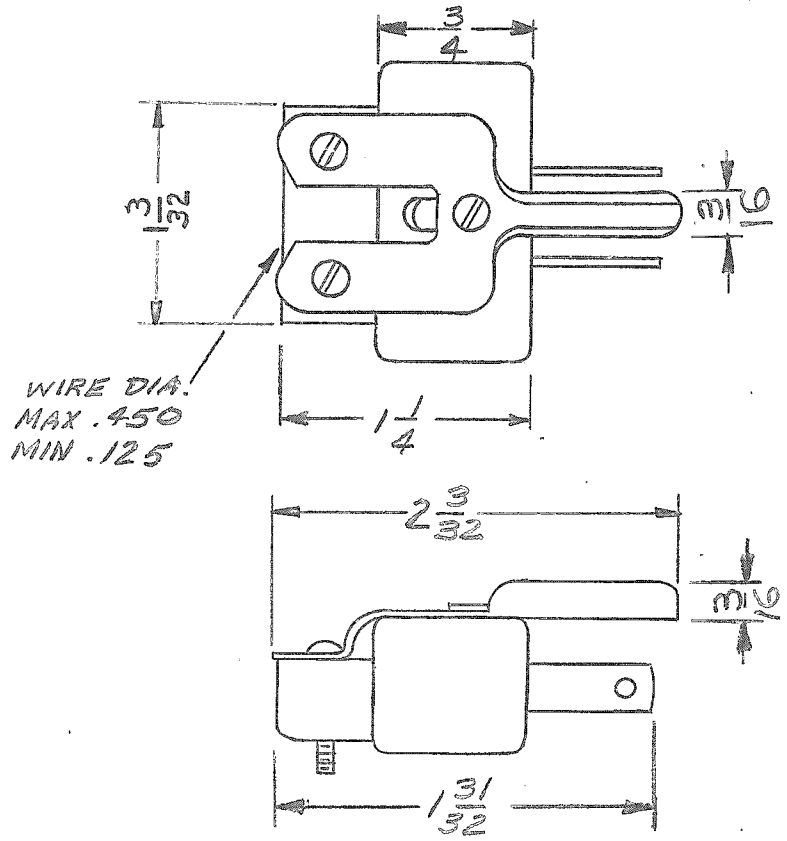


THE CONTENTS OF THIS DRAWING ARE THE EXCLUSIVE PROPERTY OF THE TECHNICAL MATERIEL CORP. ITS UNAUTHORIZED USE OR REPRODUCTION IN WHOLE OR IN PART IS STRICTLY FORBIDDEN.

REQ. PER UNIT	USED ON		
	MODEL	ASS'Y. NO.	DATE
1	GPT 10K		12-1-61

PL-218

B



3 PRONG POLARIZED PLUG WITH REMOVABLE GROUND CONNECTION.

REF. MIL C3767/4

REQ.	ITEM	PART NO.	DESCRIPTION			SYMBOL	
			THE TECHNICAL MATERIEL CORP. MAMARONECK, NEW YORK				
B	COMPLETELY REDIMENSIONED MIL REF. ADDED.	11/16-15187	AVV	gfb	TC		
A	DRAWING WAS PL-172	11-31-61 5955	GG			CONNECTOR, PLUG, 3 PRONG, AC	
SYM	DESCRIPTION	DATE	CH. NO.	DRAFTS	CHECKER	ENG. APP.	
UNLESS OTHERWISE SPECIFIED: DIMENSIONS ARE IN INCHES TOLERANCES ON FRAC. ± 1/64 DEC. ± .005 ANGLES ± 1/2°		SCALE: S401-413 (UP-121-M)		MAXIMUM ALLOWABLE TOLERANCES HAVE BEEN DETERMINED AND ANY DEVIATIONS WILL BE CAUSE FOR REJECTION. REMOVE ALL BURRS AND SHARP EDGES			
		TYPE & TEMPER	HEAT TREAT. SPEC.	DRAWN	CHECKED	FINAL APPROVAL	
		FINISH & SPEC. NO.	ELEC. DES. APP.	MECH. DES. APP.	PL-218 B		