

THE CONTENTS OF THIS DRAWING ARE THE EXCLUSIVE PROPERTY OF THE TECHNICAL MATERIEL CORP. ITS UNAUTHORIZED USE FOR REPRODUCTION IN WHOLE OR IN PART IS STRICTLY FORBIDDEN.

REQ. PER UNIT

USED ON

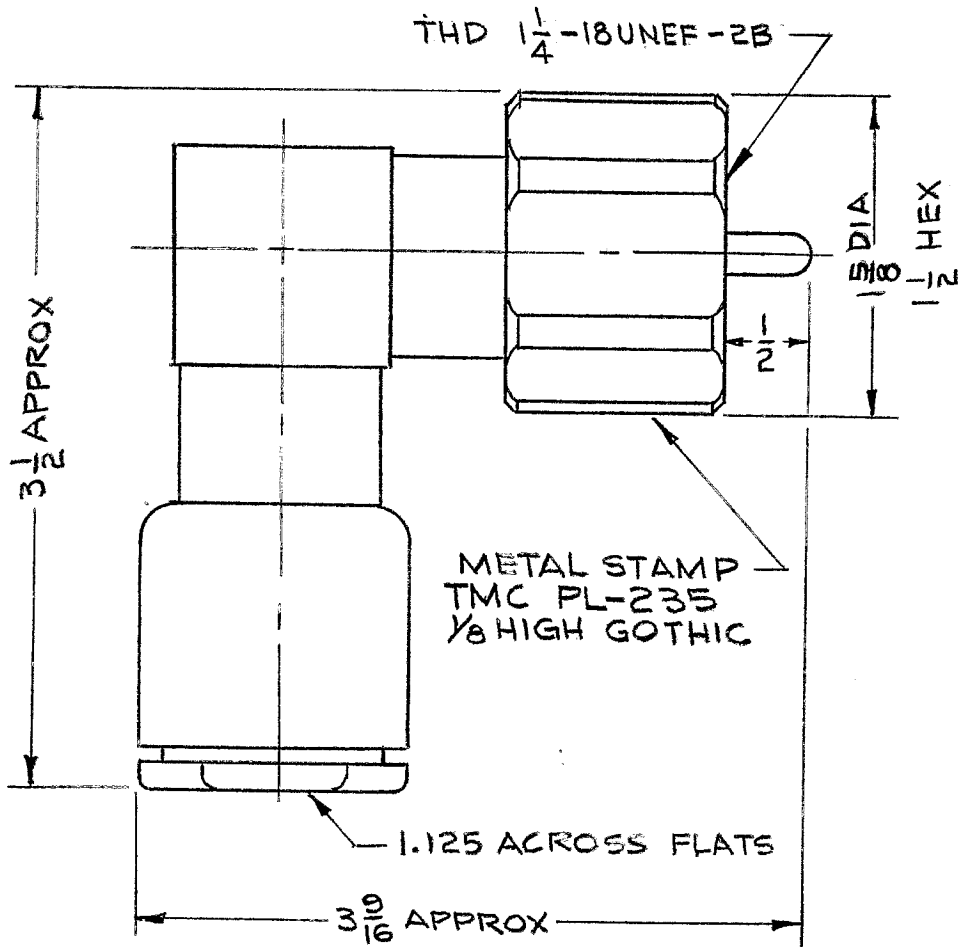
MODEL

ASS'Y. NO.

DATE

6-7-63

PL-235



**SPECIFICATIONS:**

Series - LC (10)  
 No. of Contacts - One (1)  
 Type of Contact - Male  
 Dielectric - Teflon

**ELECTRICAL DATA:**

Max. Peak Opr. Volt - 10,000 V.  
 Freq. Limit - 1,000 MC  
 Nominal Impedance - 50 Ohms

**CABLE ACCOMMODATIONS:**

Type - RG-211/U

**MATERIAL:**

External Parts - Brass  
 Contact - Brass  
 Gaskets - Silicone Rubber  
 Contact Fingers - Beryllium Copper

**FINISH:**

External Parts - Silver Plate and Rhodium Flash  
 Contact, Fingers - Silver Plate and Gold Flash

REQ.	ITEM	PART NO.	DESCRIPTION				SYMBOL	
			MARTIN ENCO					
STOCK SIZE			THE TECHNICAL MATERIEL CORP. MAMARONECK, NEW YORK					
			CONNECTOR, PLUG,					
			LC 10, RIGHT ANGLE, RG-211/U					
SYM	DESCRIPTION	DATE	CH. NO.	DRAFTS	CHECKER	ENG. APP.		
UNLESS OTHERWISE SPECIFIED DIMENSIONS ARE IN INCHES AND INCLUDE CHEMICALLY APPLIED OR PLATED FINISHES		SCALE		NONE				
DECIMALS .X ± .05 .XX ± .01 .XXX ± .005	TOLERANCES	FRACTIONS ± 1/64 ANGLES ± 0° 30'	CODE	3401-70 (2957)				
FINISH & SPEC. NO.		ELEC. DES. APP.	MECH. DES. APP.	DRAWN		CHECKED	FINAL APPROVAL	
				J. R. 6/12/63		J. R. 6/12/63	YF 4 6-19-63	
							PL-235	