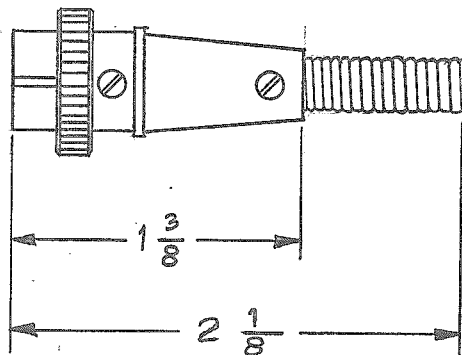
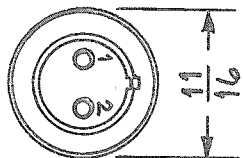


TMC PART NO.	MFG. NO.	CONTACT	MATING CONN.	MATING PLUG	REQ. PER UNIT	USED ON		
						MODEL	ASS'Y. NO.	DATE
PL-239-1	80 M	1	—	—				PL-239
PL-239-2	80MC2M	2	JJ-10004	—				

SPECIFICATIONS

1. Quantity of Connector Mating Ends: 1
2. Contact Data
 - A. Type: Male
 - B. Style: Round
 - C. Current Rating: 3 amps
 - D. Volt. Rating: 600 V RMS
 - E. Contact Connected to Shell: No
 - F. Contact Ext. Grounding: No
 - G. Material: Brass
 - H. Finish: Silver Plate
3. Dielectric: Black Phenolic, Grade CFG
4. Shell Data
 - A. Inclosing: Inclosing Shell
 - B. Material: Brass
 - C. Finish: Chrome
5. Polarization: Key
6. Locking Data
 - A. Type: Coupling Nut
 - B. Threads: 5/8-27 thd., internal
7. Cable Data
 - A. Maximum Cable Size Accommodation: 1/4"
 - B. Cable Clamp: None
 - C. Cord Protector: Spring Guard
8. Mates With: JJ10004



								REQ. ITEM	PART NO.	MARTINENGO	DESCRIPTION	SYMBOL	
										THE TECHNICAL MATERIEL CORP. MAMARONECK, NEW YORK			
									STOCK SIZE	CONNECTOR, PLUG, ELECTRICAL			
									SEE NOTE				
									MATERIAL				
SYM	DESCRIPTION	DATE	CH. NO.	DRAFTS	CHECKER	ENG. APP.				MTANTILLO	11-13-63	BP	
UNLESS OTHERWISE SPECIFIED DIMENSIONS ARE IN INCHES AND INCLUDE CHEMICALLY APPLIED OR PLATED FINISHES		SCALE	NTS								11/26/63	12/26/63	PL-239
DECIMALS .X ± .05 .XX ± .01 .XXX ± .005	TOLERANCES	FRACTIONS ± 1/64 ANGLES ± 0° 30'	CODE	S401-71						SEE NOTE	QC 11/26/63	12/26/63	
									FINISH & SPEC. NO.	ELEC. DES. APP.	MECH. DES. APP.		