

REQ. PER UNIT	USED ON			PL 290	Ø
	MODEL	ASS'Y. NO.	DATE		

SPECIFICATIONS

SERIES : LC

NO. OF CONTACTS : ONE (1)

TYPE OF CONTACT : FEMALE (CAPTIVATED)

DIELECTRIC : TEFLON

ELECTRICAL DATA

MAX. PEAK OPR. VOLT : 5000V

FREQ. LIMIT : 10,000 MHZ

NOMINAL IMPEDANCE : 75 OHMS

CABLE ACCOMODATIONS

TYPES : RG 11

MATERIAL

EXTERNAL PARTS : BRASS

MALE CONTACT : BRASS

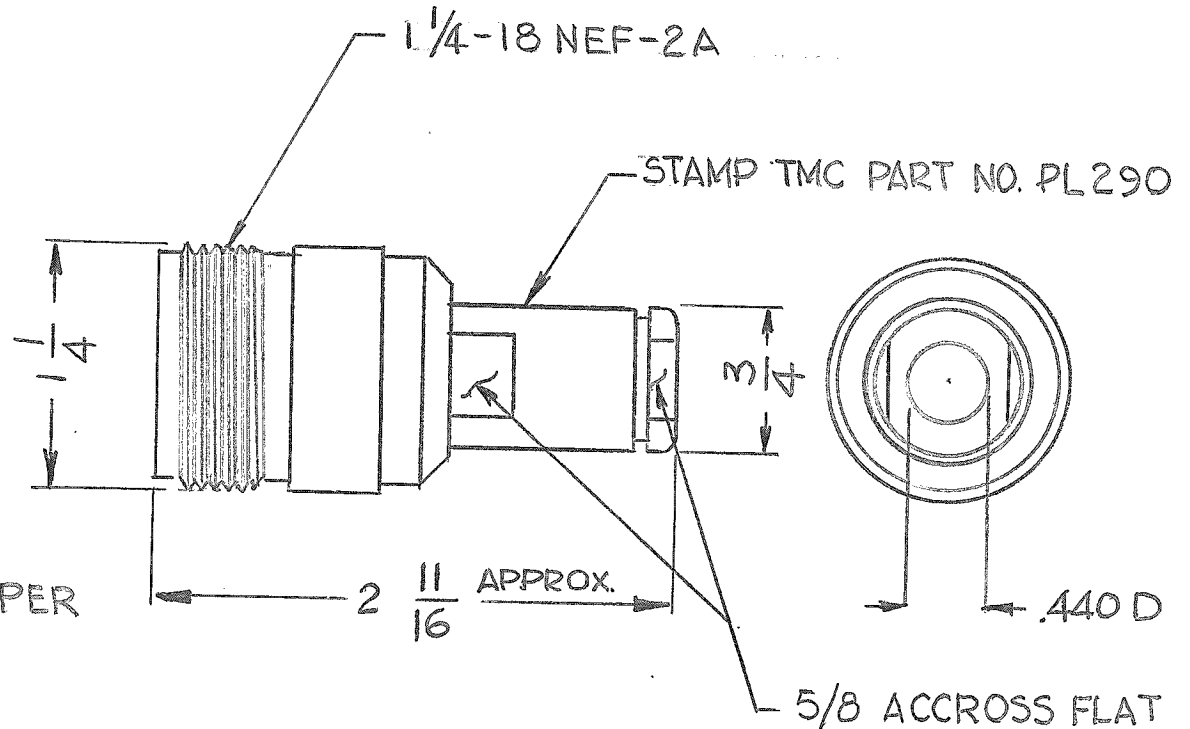
FEMALE CONTACT : BERYLLIUM COPPER

GASKET : SILICONE RUBBER

FINISH

EXTERNAL PARTS : SILVER PLATE

CONTACT : SILVER PLATE



							REQ. ITEM	PART NO.	DESCRIPTION	SYMBOL		
							STOCK SIZE		TMC INDUSTRIAL CORP. MAMARONECK, NEW YORK			
							MATERIAL		RECEPTACLE, CONNECTOR			
									LC (F) TO CABLE RG / U			
Ø	ORIGINAL RELEASE!	9/2/75						G.D.L.	<i>[Signature]</i>	<i>[Signature]</i>		
ISSUE	ITEM	CHANGED FROM	DATE	CH. NO.	DRAFTS	CHECKER	ENG. APP.	TYPE & TEMPER	HEAT TREAT. SPEC.	DRAWN	CHECKED	FINAL APPROVAL
TOLERANCES			SCALE: S401-70				MAXIMUM ALLOWABLE TOLERANCES HAVE BEEN DETERMINED AND ANY DEVIATIONS WILL BE CAUSE FOR REJECTION. REMOVE ALL BURRS AND SHARP EDGES					
DEC. DIM. ±												
FRAC. DIM. ±												
ANGULAR DIM. ±												
							FINISH & SPEC. NO.		ELEC. DES. APP.		MECH. DES. APP.	
											PL 290 Ø	