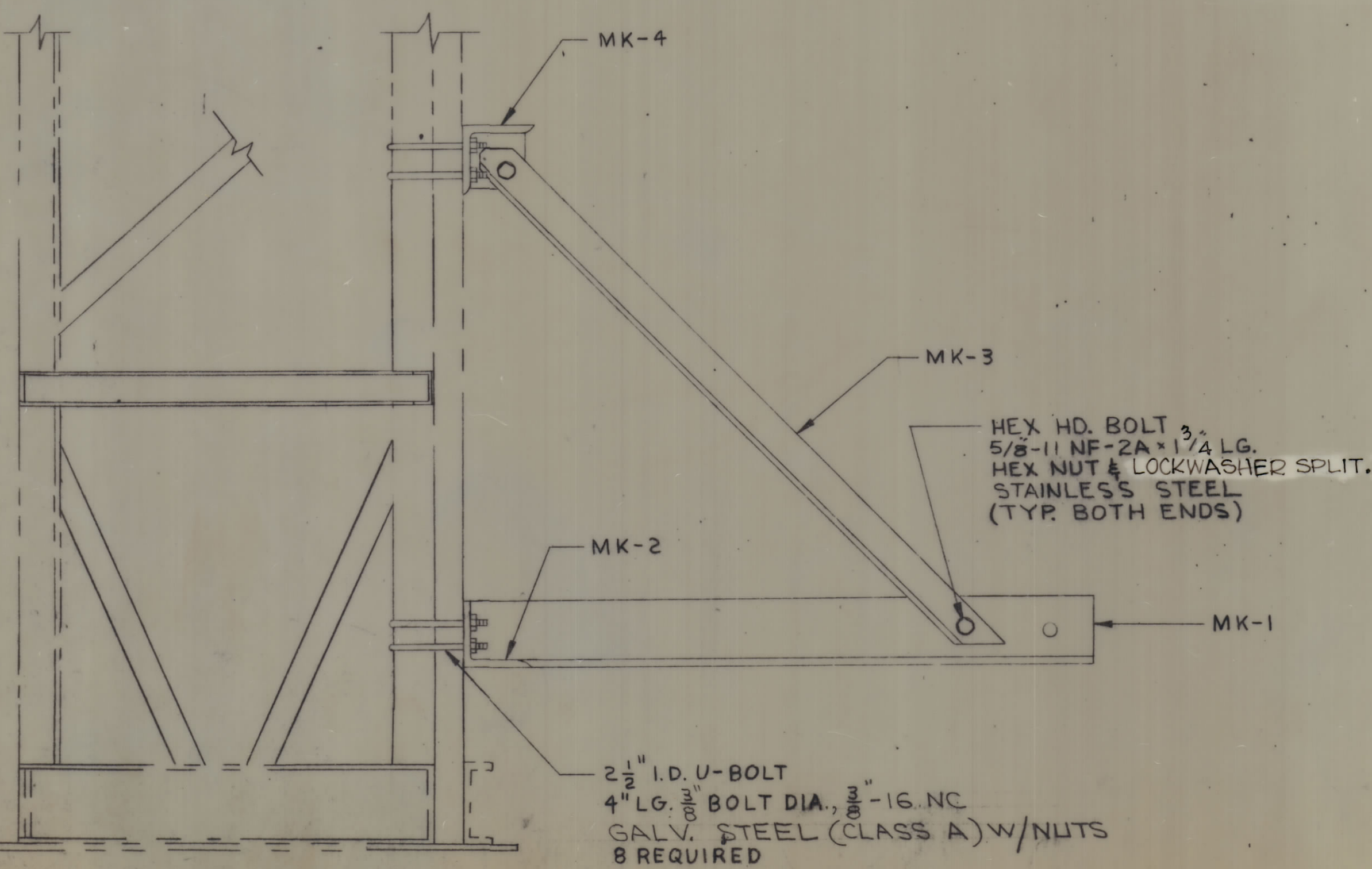
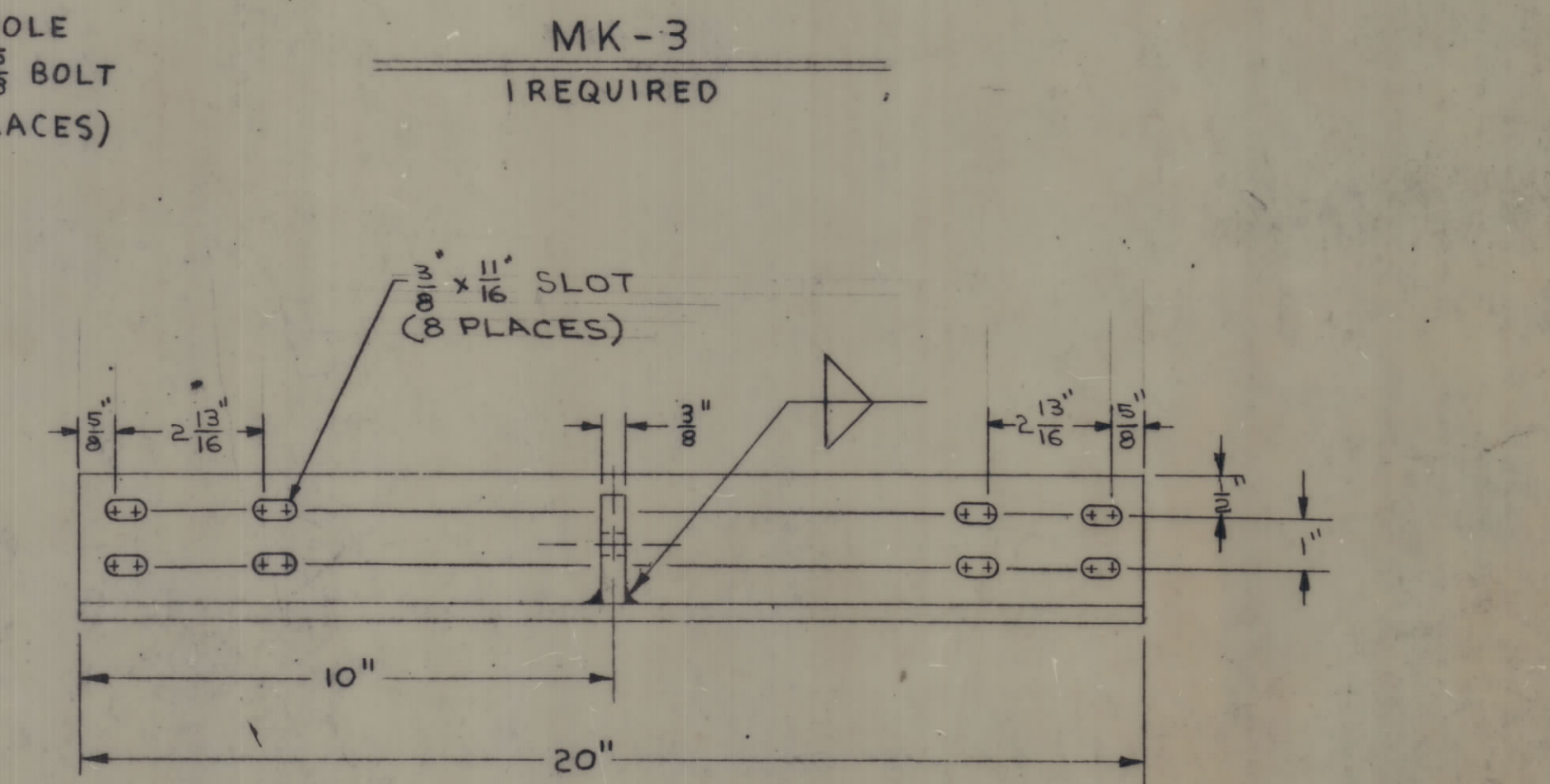
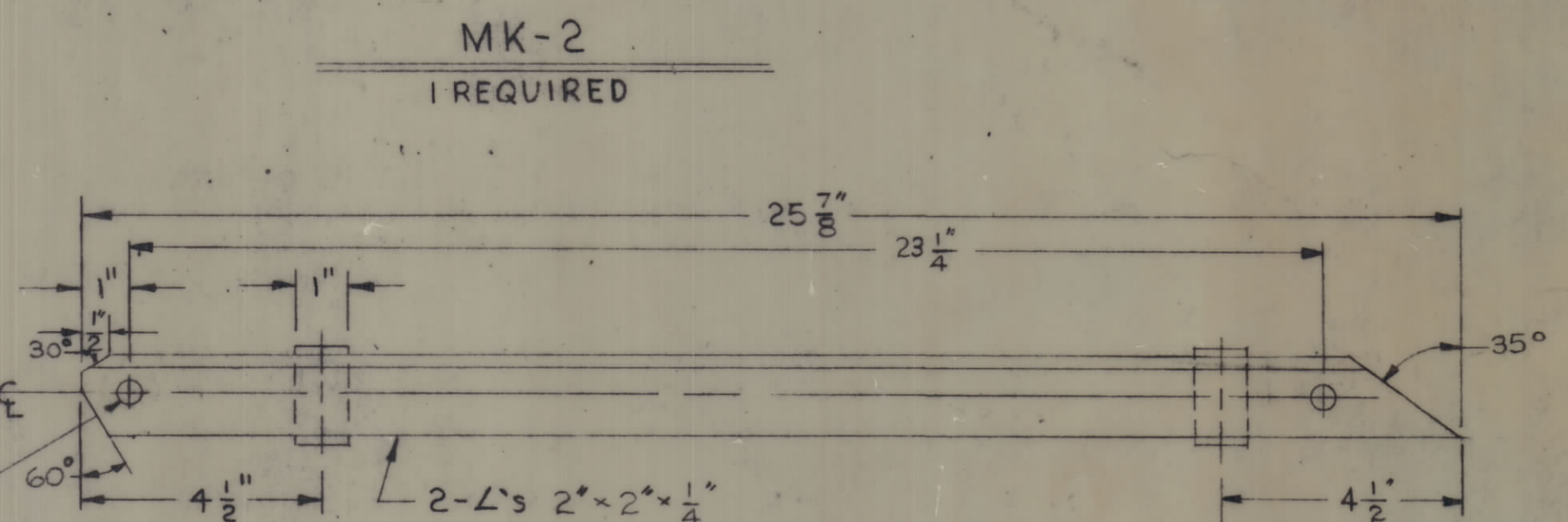
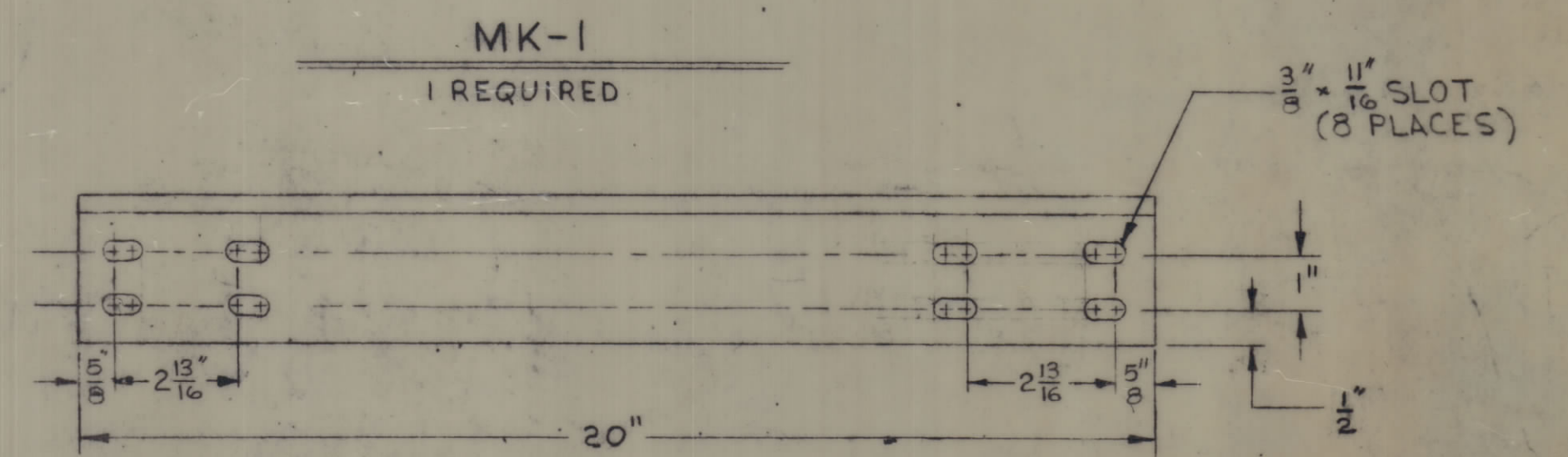
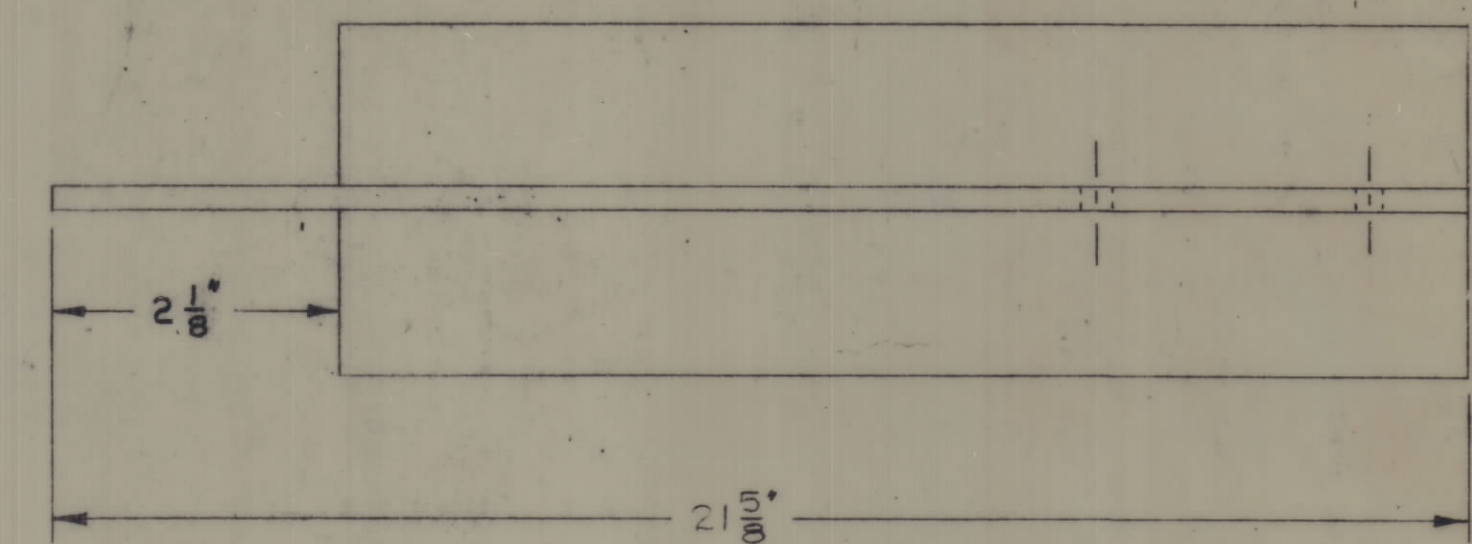
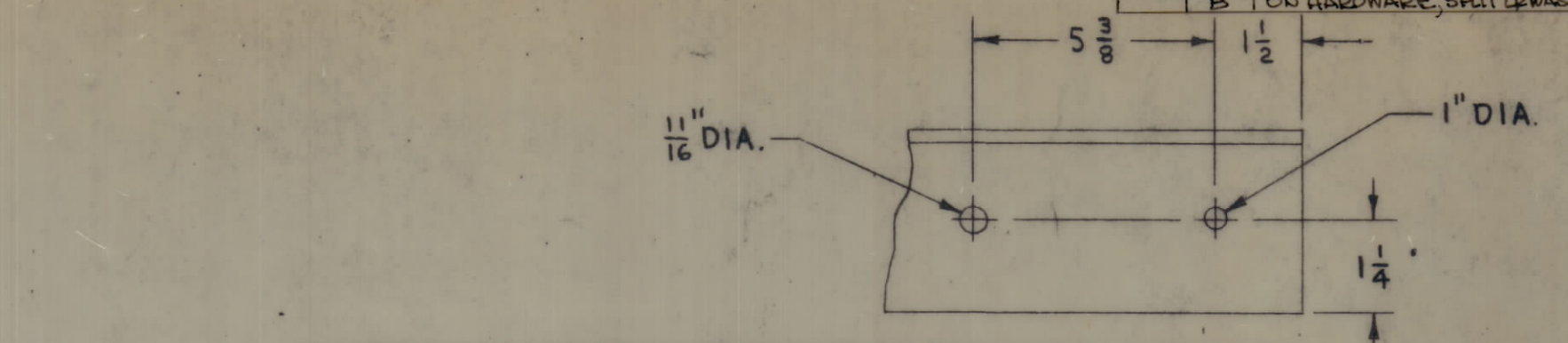
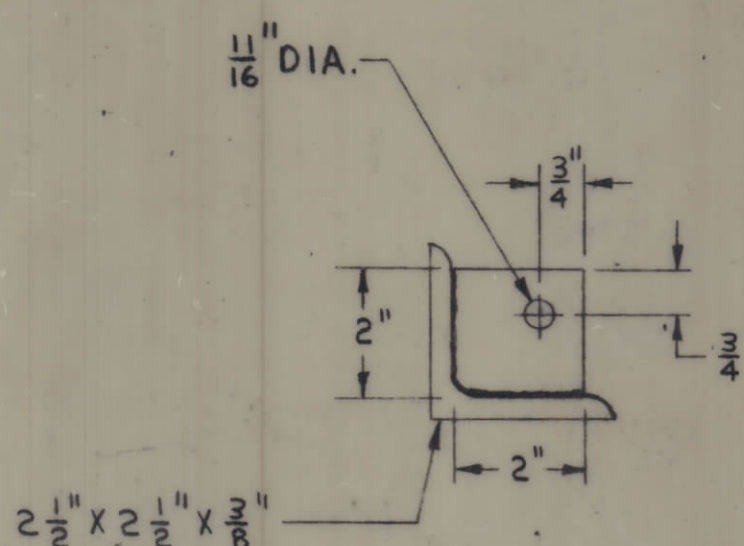
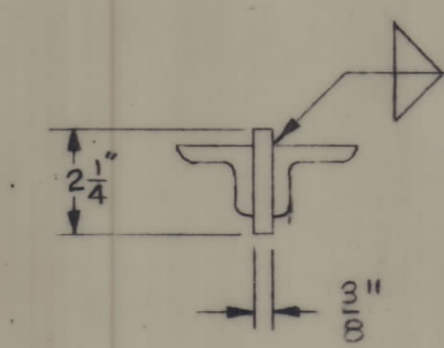
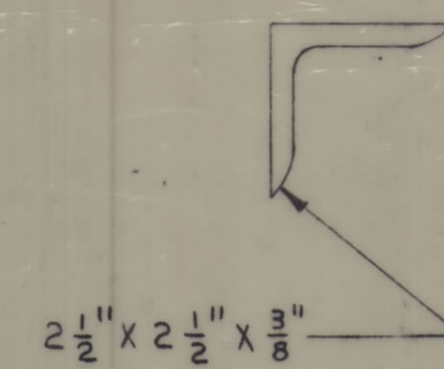
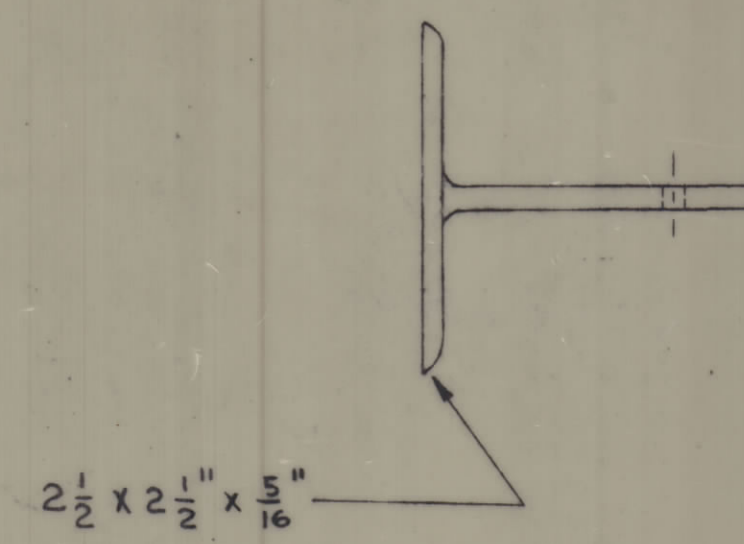
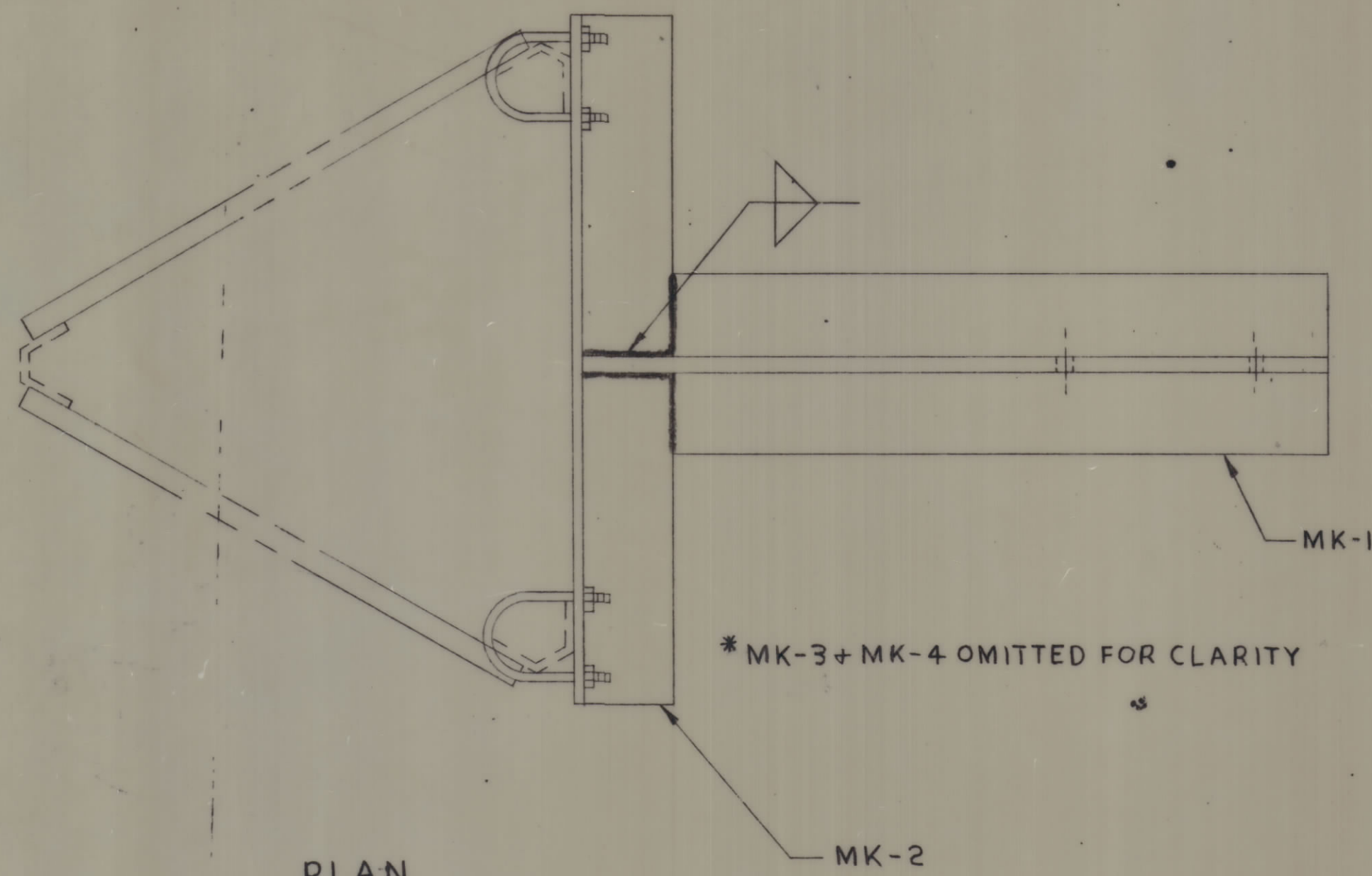


NOTES: 1. TOWER DETAILS NOT SHOWN TO SCALE

| REVISIONS | | | | |
|-----------|------|---|----------|----------|
| ZONE | SYM. | DESCRIPTION | DATE | APPROVAL |
| A | | ADDED: SLOTS ON MK-4, HIDDEN LINES ON MK-1, RELOCATED TOWER BRACKETS. | 10-27-66 | gjk |
| B | | CS HARDWARE, SPLIT LOCKWASHER W/FLAT W/ | 11-14-66 | gjk |



| REQD. | PART NO. | ITEM | DESCRIPTION | MATL. OR MFR. | MATL. SPEC. OR CAT. NO. | CKT. SYM. | UNIT WT. | ZONE |
|-------|----------|------|-------------|---------------|-------------------------|-----------|----------|------|
| | | | | | | | | |

| UNLESS OTHERWISE SPECIFIED DIMENSIONS ARE IN INCHES | | SIGNATURE | DATE |
|---|-------------|----------------------------|---------|
| TOLERANCES ON: | | DR. <i>Ewing B. Taylor</i> | 9/20/66 |
| DEC. | FRACT. ANG. | CHR. <i>R. Weller</i> | 9/21/66 |
| | | ENGR. <i>P.V. Gureckis</i> | 9/21/66 |

| LIST OF MATERIAL | | BOTTOM LOAD SUPPORT BRACKET | |
|------------------|------------------|----------------------------------|--|
| MATERIAL: | ALUMINUM 6061-T6 | T.M.C. KIT #312 | |
| FINISH: | ETCH & IRIDITE | FOR UTILITY TOWER TYPE "170K.D." | |

| | |
|---|---------|
| THE TECHNICAL CENTER CORP. 700 FENIMORE ROAD MAMARONECK, N.Y. | PM 1437 |
| D237707 | REV. A |