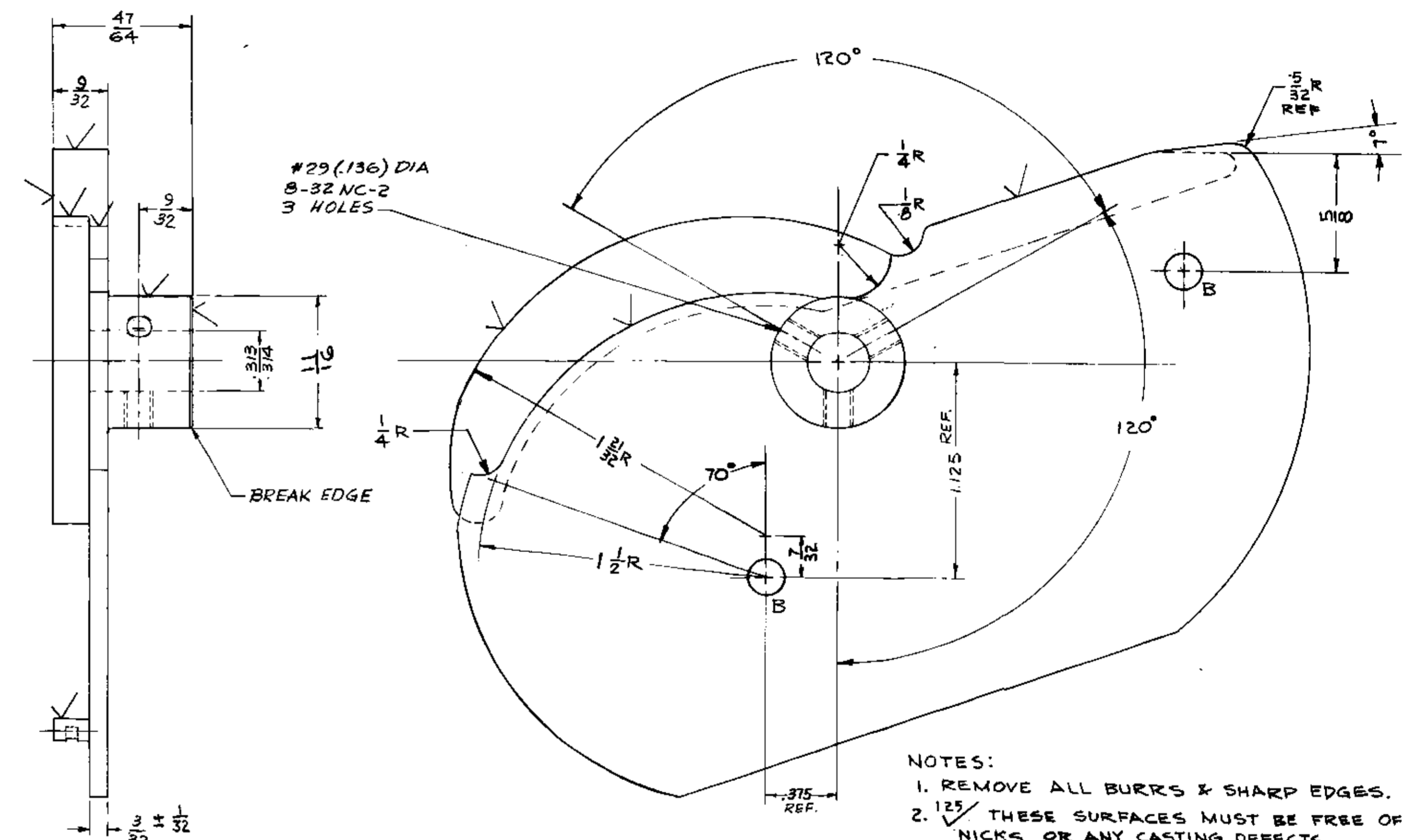
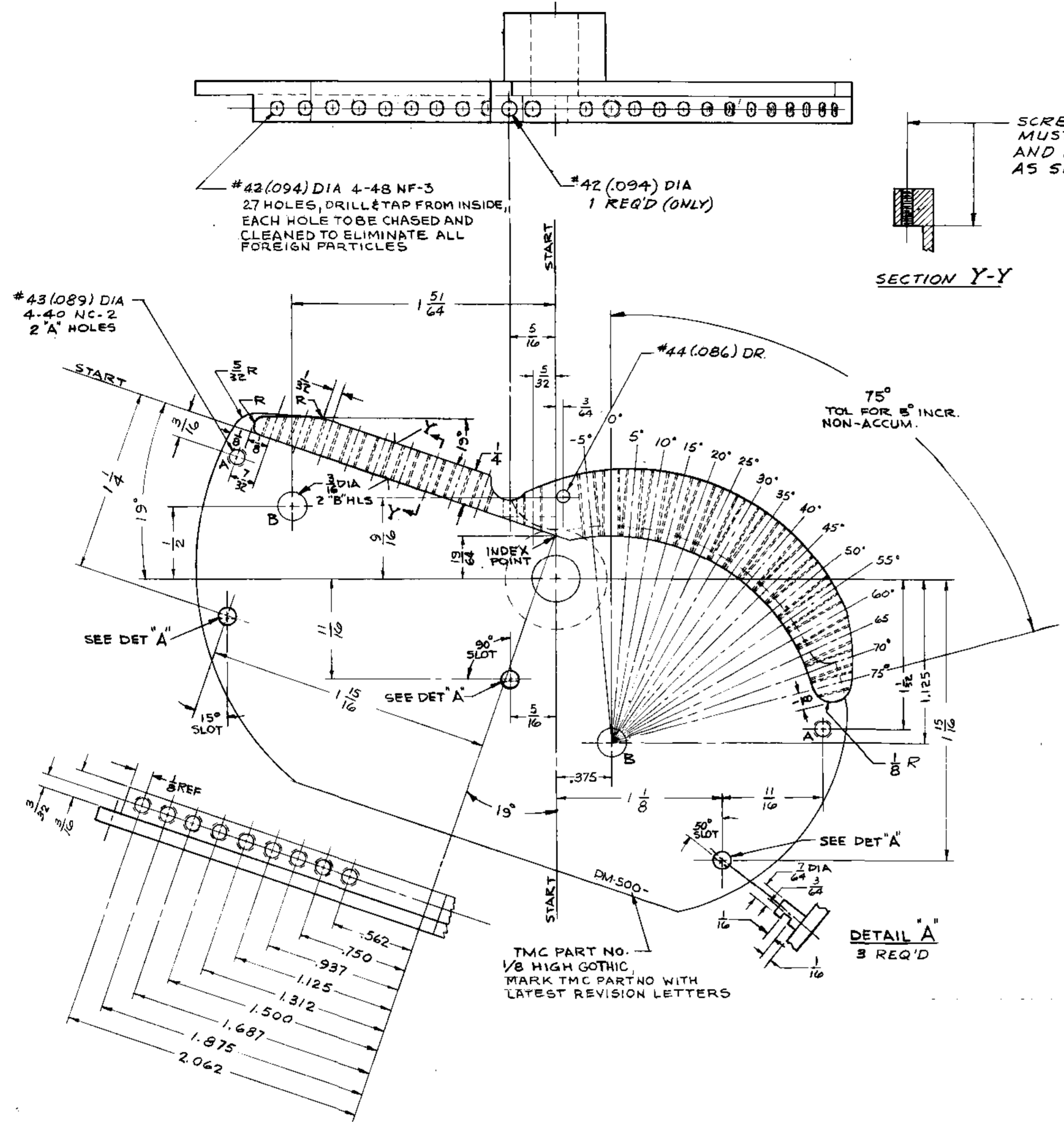


REVISIONS						
ZONE	SYM	DESCRIPTION	DATE	E.M.N. NO.	DRAFT	CHKD
~	C	REVISED & REDRAWN	7/8/62	9894	J.R.	J.P.
G10	D	NOTE EACH HOLE TO BE CHASED ... ADDED	5/5/64	11393	AJB	J.P.
C5	E	ON PICT. ±1/32 TOL. ADDED.	10/22/64	12666	J.P.	J.P.



QTY	UNIT	MODEL USED BY	ANVT. NO.
1		CMO-1,2	AO-103
1		RTF-1,2	AO-100
1		PMO-1,2,3,4,5,6	AO-100
1		VOX-1,2,3,4,5,6	AO-100

ABNO.	ITEM	PART NUMBER	DESCRIPTION	SYMBOL
LIST OF MATERIAL				
MATERIAL				
FINISH				
UNLESS OTHERWISE SPECIFIED DIMENSIONS ARE IN INCHES AND INCLUDE CHEMICALLY APPLIED OR PLATED FINISHES				
DRAWN T. RAMIREZ DATE 7-8-62				
CHECKED DATE				
ELECT. DES. DATE				
MECH. DES. DATE				
TOLERANCES FRACTIONS ± 1/64 DECIMALS ± .01 ANGLES ± 0° 30'				
THE CONTENTS OF THIS DRAWING ARE THE EXCLUSIVE PROPERTY OF THE TECHNICAL MATERIEL CORP. ITS UNAUTHORIZED USE OR REPRODUCTION IN WHOLE OR IN PART IS STRICTLY FORBIDDEN.				

DATE	BY	DATE	BY
7-8-62	J.P.		

REV.	DATE	BY	CHKD
1			
2			
3			
4			
5			
6			
7			
8			
9			
10			
11			

NOTES

PM-500

A

E