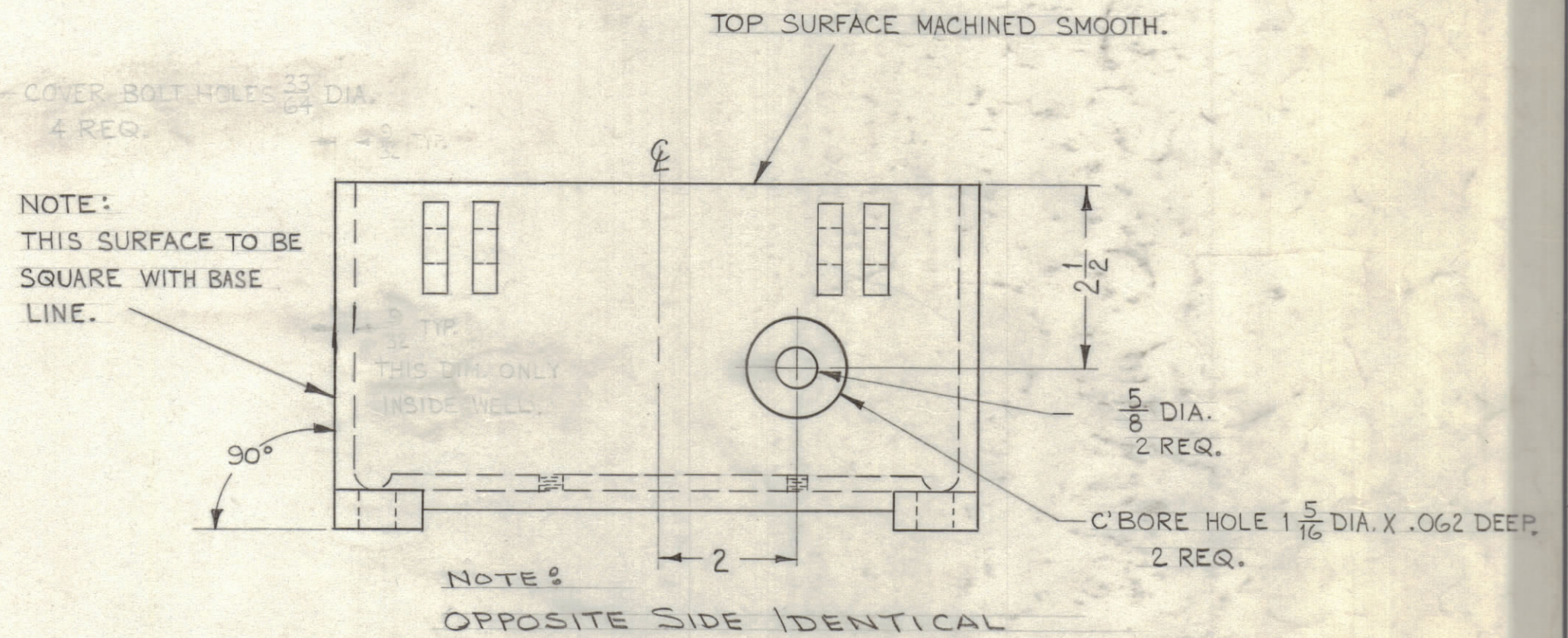
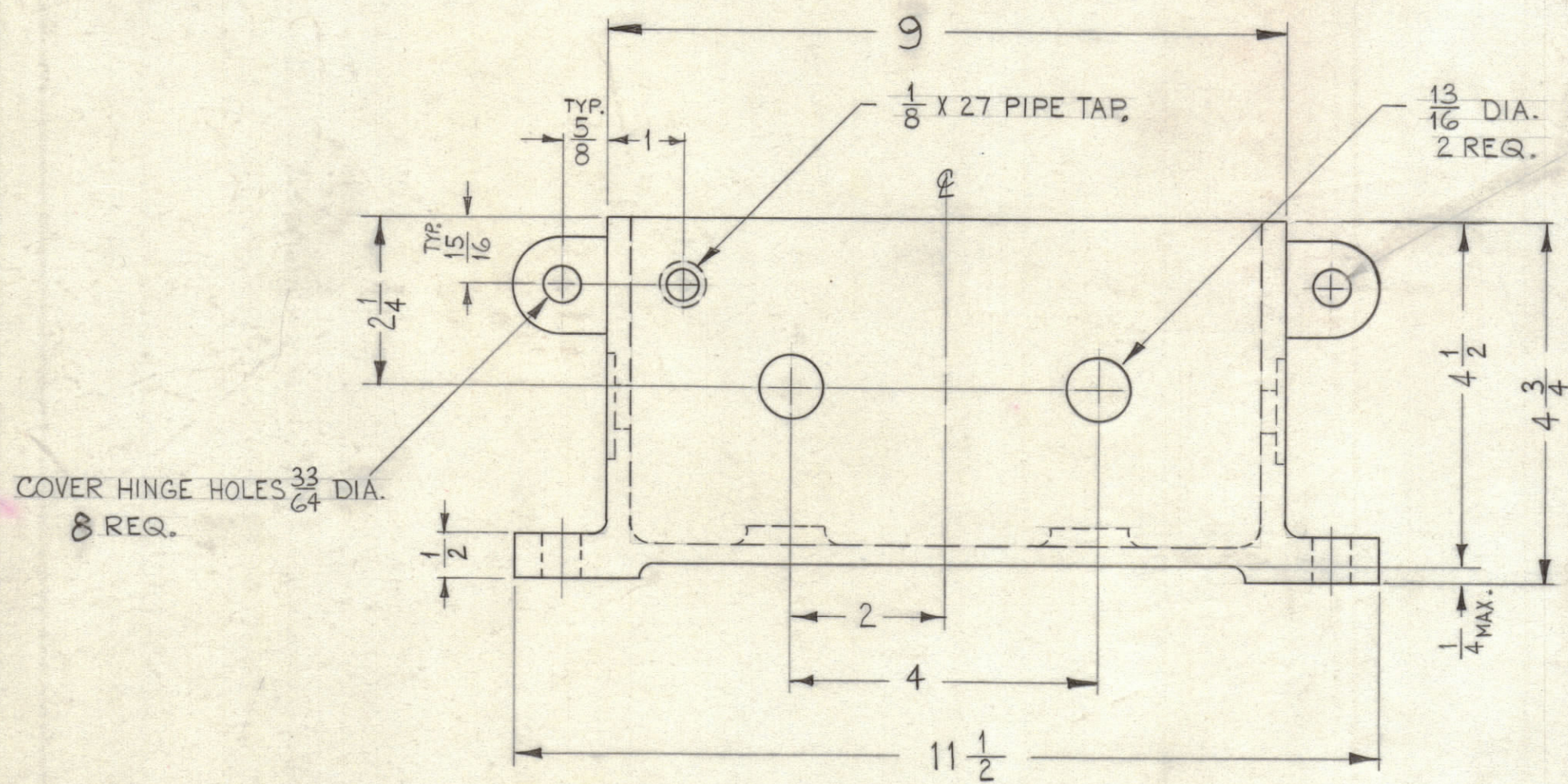
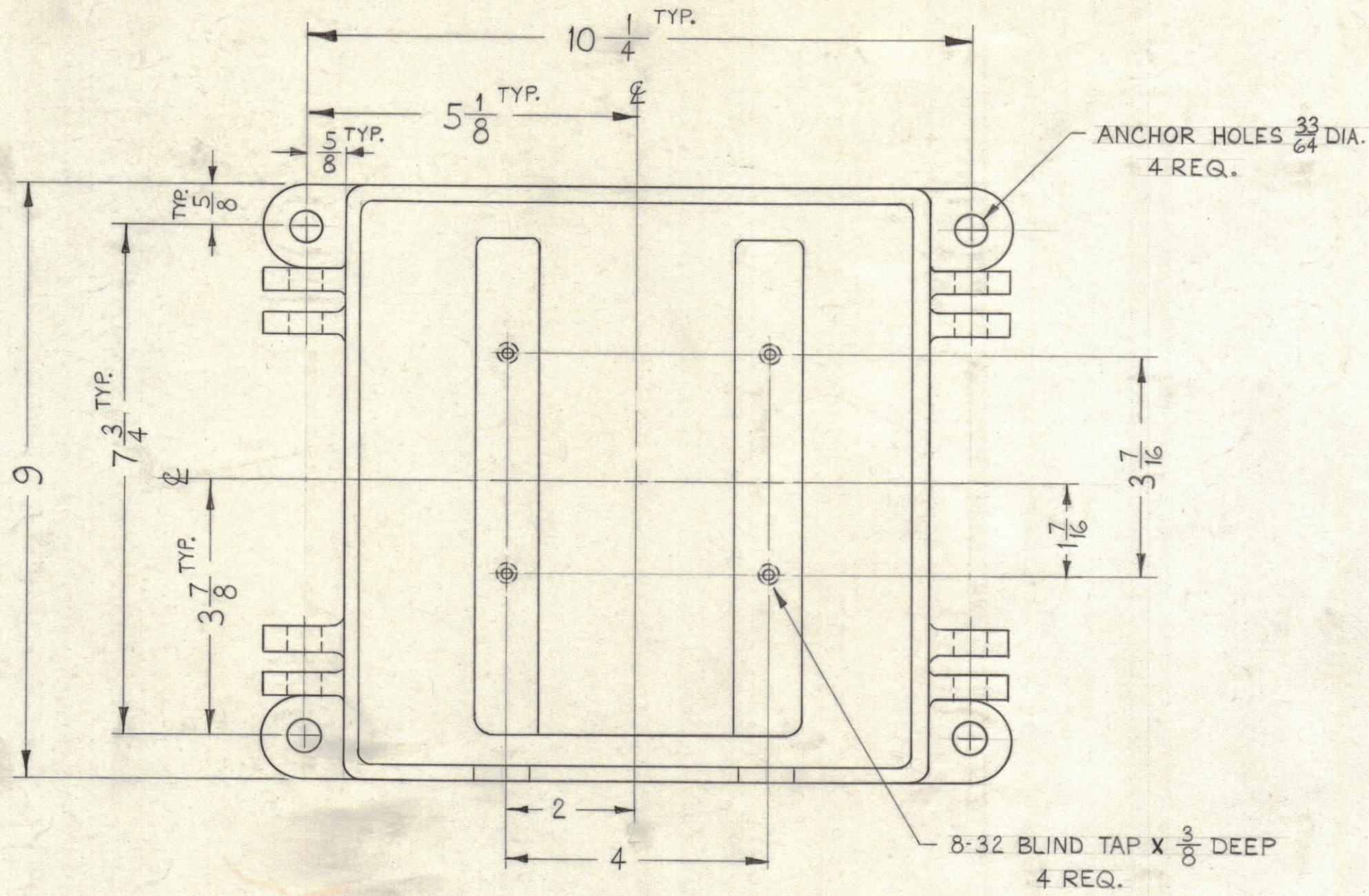


NOTICE TO PERSONS RECEIVING THIS DRAWING

THE TECHNICAL MATERIEL CORPORATION claims proprietary right in the material disclosed hereon. This drawing is issued in confidence for engineering information only and may not be reproduced or used to manufacture anything shown hereon without permission from THE TECHNICAL MATERIEL CORPORATION to the user. This drawing is loaned for mutual assistance and is subject to recall at any time.

Property of:
THE TECHNICAL MATERIEL CORPORATION
MAMARONECK, NEW YORK

FINISH NOTE:
S404 YELLOW IRIDITE.
S114 ZINC CHROMATE PRIMER.
S115 TMC SMOOTH GREY ENAMEL.



REF: CS-108 (4).

SYM	ZONE	DESCRIPTION	DATE	CH. NO.	DRAFTS	CHECKER	ENG. APP.
UNLESS OTHERWISE SPECIFIED:			SCALE DO NOT SCALE				
DIMENSIONS ARE IN INCHES			MAXIMUM ALLOWABLE TOLERANCES HAVE BEEN DETERMINED AND ANY DEVIATIONS WILL BE CAUSE FOR REJECTION. REMOVE ALL BURRS & SHARP EDGES				
TOLERANCES ON FRACTIONS ± 1/64			DECIMALS ± .005		ANGLES ± 1/2°		

REQ. PER UNIT	MODEL	SECTION	ASS'Y. NO.	DATE
1	RAC-35			7-12-61

REQ. ITEM	PART NO.	DESCRIPTION	SYMBOL
ALUMINUM		THE TECHNICAL MATERIEL CORP. MAMARONECK, NEW YORK	
356-T6		CASE MACHINING	
SEE NOTE			
FINISH & SPEC. NO.		ELEC. DES. APP.	MECH. DES. APP.
		SHEET OF PM-706	