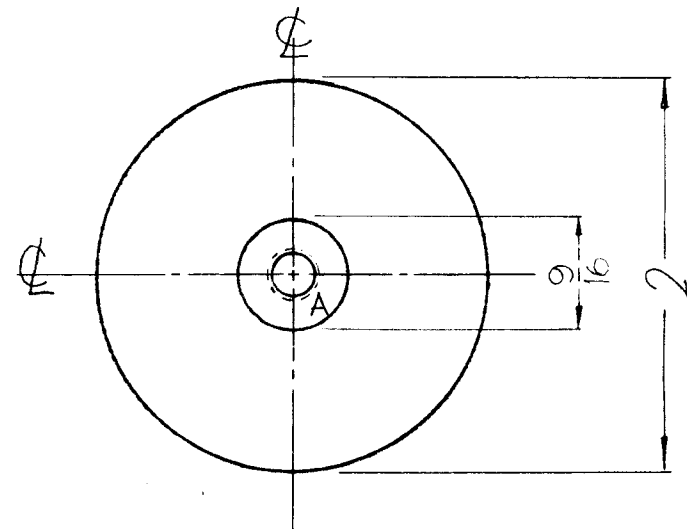


PM-903 0

REVISIONS

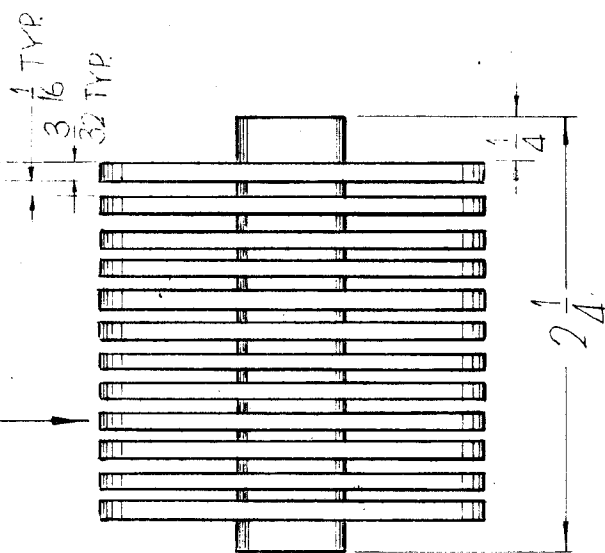
SYM	DESCRIPTION	DATE	E.M.N. NO.	DRAFT	CHKD	APPD
0	ORIGINAL RELEASE FOR PRODUCTION	3-2-64		A.M.		

(TOP)

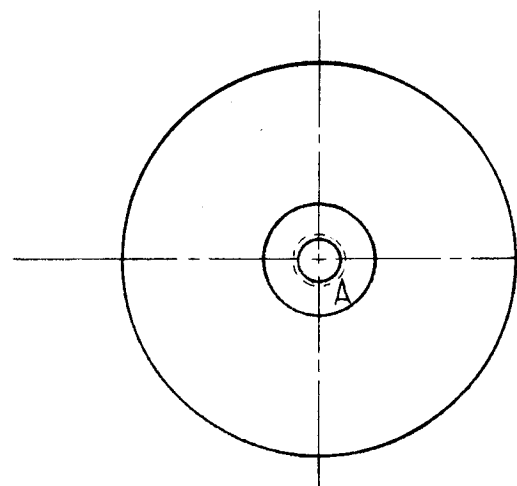


(SIDE)

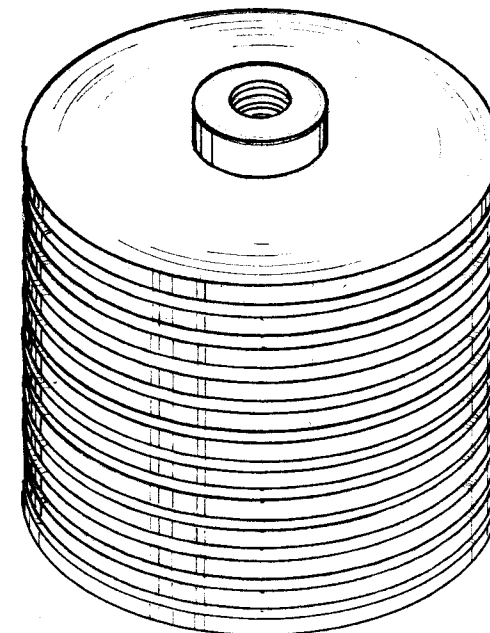
ROUND EDGES ON FINS



(BOTTOM)



"A" HOLES  
DRILL & TAP FOR 1/4-20 X 1/2 DEEP



NOTE:  
FOR SPARE PARTS ONLY.

REQ'D.	ITEM	PART NUMBER	DESCRIPTION	SYMBOL
--------	------	-------------	-------------	--------

LIST OF MATERIAL

MATERIAL ALUMINUM	THE TECHNICAL MATERIEL CORP. MAMARONECK, NEW YORK
----------------------	------------------------------------------------------

FINISH	TITLE FIN, RECTIFIED TUBE
--------	------------------------------

UNLESS OTHERWISE SPECIFIED DIMENSIONS ARE IN INCHES AND INCLUDE CHEMICALLY APPLIED OR PLATED FINISHES	DRAWN J F VITRO DATE 6/11/62	FINAL APPROVAL Rok	DATE
DECIMALS .X ± .05 .XX ± .01 .XXX ± .005	CHECKED JCB DATE 2/6/64	DATE 2/7/64	DATE
FRACTIONS ± 1/64 ANGLES ± 0° 30'	MECH. DES. R 2/6/64	DATE	DATE
TOLERANCES	DATE	DATE	DATE

NOTE: REF. TMC DWG TV-101

NOTES

THE CONTENTS OF THIS DRAWING ARE THE EXCLUSIVE PROPERTY OF THE TECHNICAL MATERIEL CORP. ITS UNAUTHORIZED USE OR REPRODUCTION IN WHOLE OR IN PART IS STRICTLY FORBIDDEN.

PM-903	0	SHEET	REV. LTR.
--------	---	-------	-----------