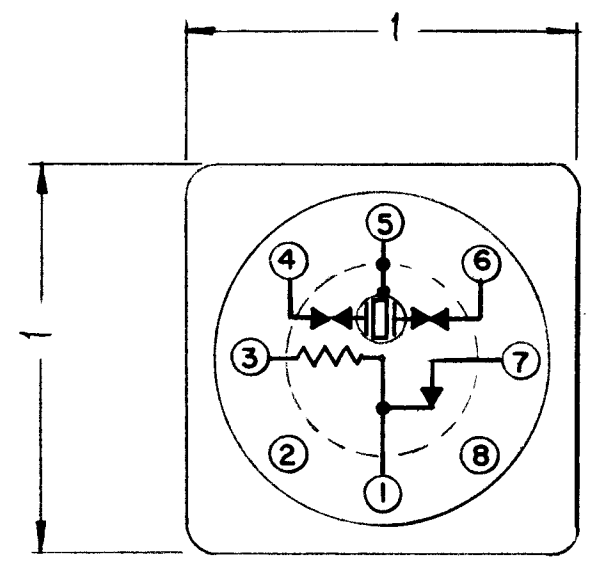


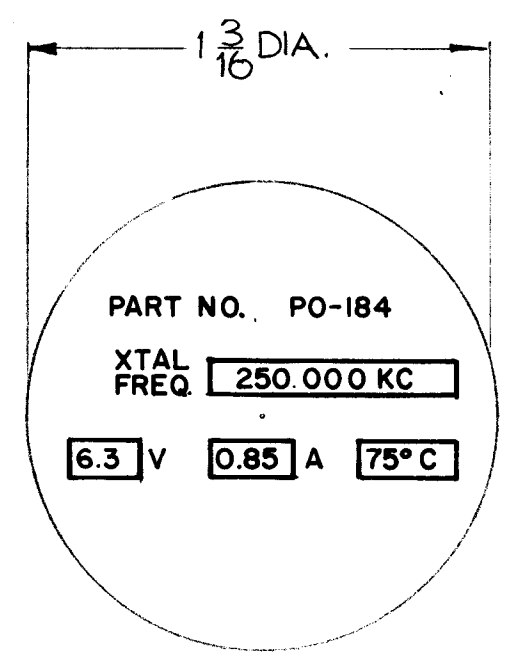
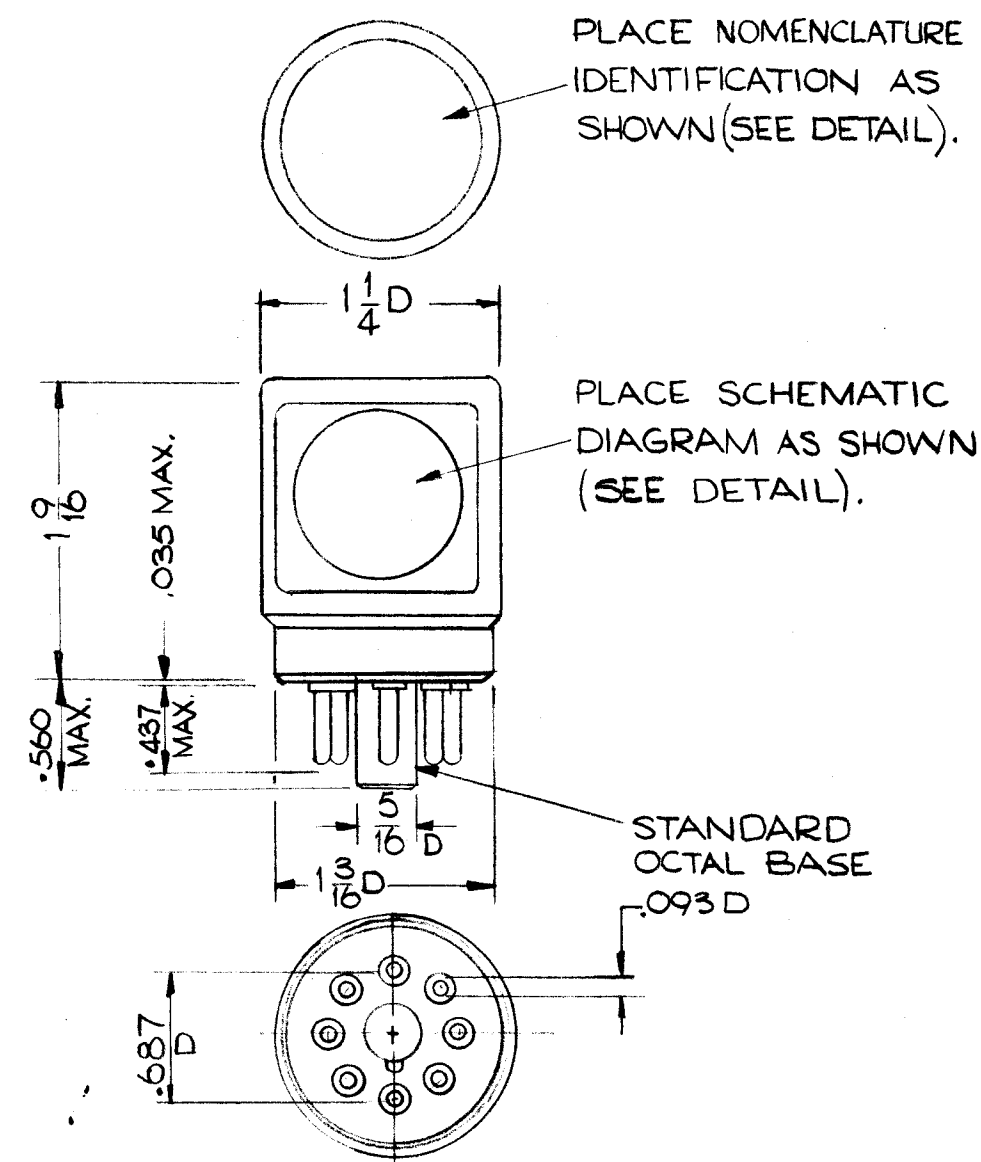
PO-184



SCHEMATIC DIAGRAM

ELECTRIC SPEC.

- 1~HOLDS ONE TYPE MIL HC-6/U XTAL
- 2~OPERATING TEMPERATURE = 75° C.
- 3~ATTAINABLE STABILITY = ± 2° C.
- 4~HEATER VOLTAGE = 6.3V AC.
- 5~UNIT DRAWS 0.85 AMPS MAX.



NOMENCLATURE IDENTIFICATION

NOTICE TO PERSONS RECEIVING THIS DRAWING

THE TECHNICAL MATERIEL CORPORATION claims proprietary right in the material disclosed hereon. This drawing is issued in confidence for engineering information only and may not be reproduced or used to manufacture anything shown hereon without permission from THE TECHNICAL MATERIEL CORPORATION to the user. This drawing is loaned for mutual assistance and is subject to recall at any time.

Property of:
THE TECHNICAL MATERIEL CORPORATION
MAMARONECK, NEW YORK

ISSUE	ITEM	CHANGED FROM	DATE	CH. NO.	DRAFTS	CHECKER	ENG. APP.
TOLERANCES							
DEC. DIM. ±			SCALE: S-401-77(TCO-1A)				
FRAC. DIM. ±			MAXIMUM ALLOWABLE TOLERANCES HAVE BEEN DETERMINED AND ANY DEVIATIONS WILL BE CAUSE FOR REJECTION.				
ANGULAR DIM. ±			REMOVE ALL BURRS AND SHARP EDGES				

REQ. PER UNIT	MODEL	PROJECT NO.	ASS'Y. NO.	DATE
1	SBE-3		AX-205	10-21-59
USED ON				

REQ. ITEM	PART NO.	DESCRIPTION	SYMBOL
		THE TECHNICAL MATERIEL CORP. MAMARONECK, NEW YORK	
STOCK SIZE		OVEN, CRYSTAL	
MATERIAL			
TYPE & TEMPER		HEAT TREAT. SPEC.	
FINISH & SPEC. NO.			
		DRAWN: <i>RWB</i>	CHECKED: <i>RWB</i>
		ELEC. DES. APP. <i>RWB</i>	MECH. DES. APP. <i>RWB</i>
		FINAL APPROVAL: <i>PO-184</i>	