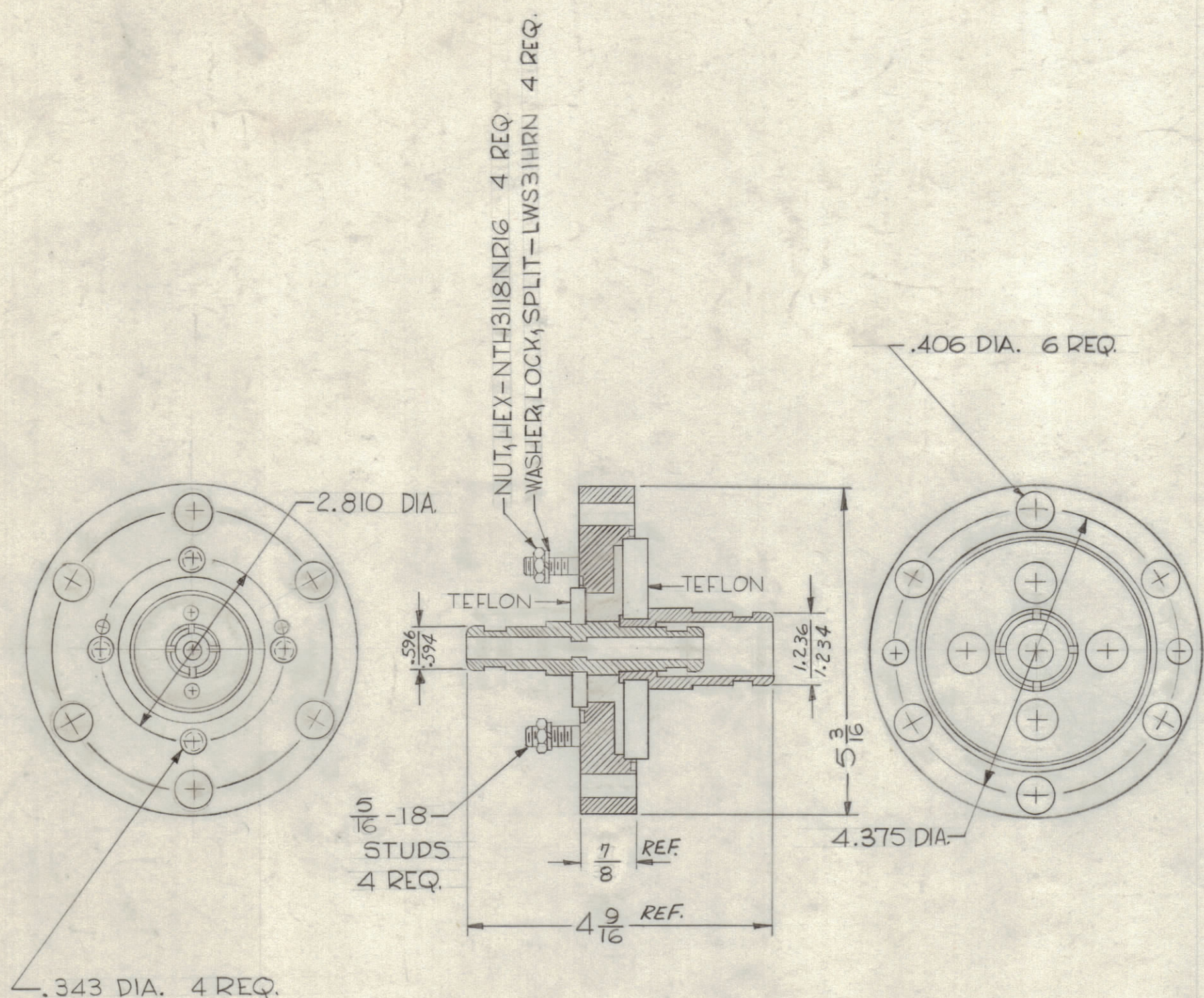
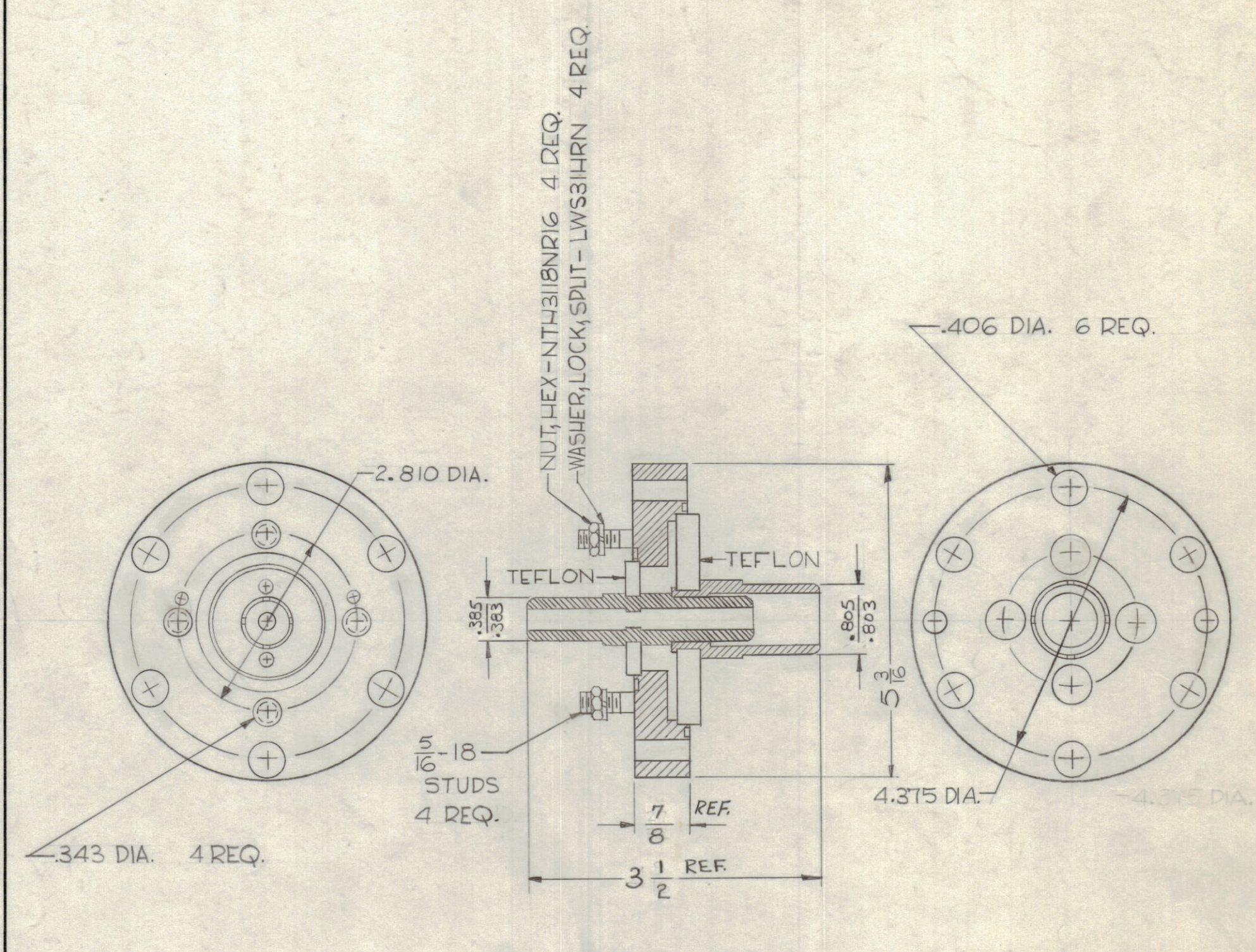


TMC PART NO.	IMPEDANCE	MFR. PART NO.
PO-222-50	50 OHMS	1861
PO-222-70	75 OHMS	1871

PO-222 C



PO-222-50



PO-222-70

NOTE-
ALL LOOSE HARDWARE TO BE SUPPLIED BY MFR.

NOTICE TO PERSONS RECEIVING THIS DRAWING
THE TECHNICAL MATERIEL CORPORATION claims proprietary right in the material disclosed hereon. This drawing is issued in confidence for engineering information only and may not be reproduced or used to manufacture anything shown hereon without permission from THE TECHNICAL MATERIEL CORPORATION to the user. This drawing is loaned for mutual assistance and is subject to recall at any time.
Property of:
THE TECHNICAL MATERIEL CORPORATION
MAMARONECK, NEW YORK

C	H7.6	15-WAS'70-2 (CHART), MFR PART NO. 1871 ADDED (CHART)	7-13-62	6912				
B	#	DIMS. CLARIFIED ON -50 & -70	1-24-62	6101	EL			
		Completely Redrawn & Revised, 70 Ohm Version Added						
SYM	ZONE	DESCRIPTION	DATE	CH. NO.	DRAFTS	CHECKER	ENG. APP.	
UNLESS OTHERWISE SPECIFIED:			SCALE 5401-31					
DIMENSIONS ARE IN INCHES			MAXIMUM ALLOWABLE TOLERANCES HAVE BEEN DETERMINED AND ANY DEVIATIONS WILL BE CAUSE FOR REJECTION. REMOVE ALL BURRS & SHARP EDGES					
TOLERANCES ON FRACTIONS ± 1/64			DECIMALS ± .005			ANGLES ± 1/2°		

REQ. PER UNIT	MODEL	SECTION	ASS'Y. NO.	DATE
	TRC-5000			1-24-62
USED ON				

REQ. ITEM	PART NO.	DESCRIPTION	SYMBOL
THE TECHNICAL MATERIEL CORP. MAMARONECK, NEW YORK			
CONNECTOR, ELECTRICAL REDUCER 3-1/8 TO 1-5/8 EIA			
MATERIAL		G. Goldberg	
DRAWN		CHECKED	
TYPE & TEMPER		HEAT TREAT. SPEC.	
FINISH & SPEC. NO.		ELEC. DES. APP. MECH. DES. APP.	
		SHEET OF	
		PO-222 C	