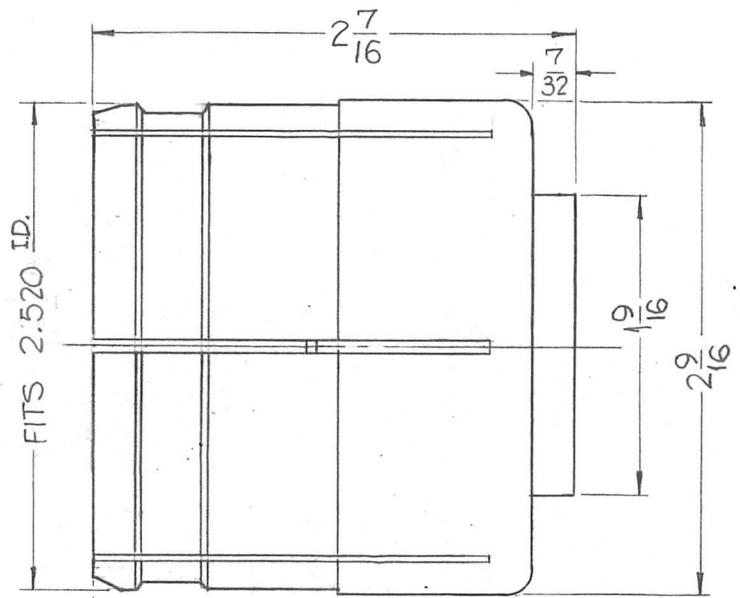
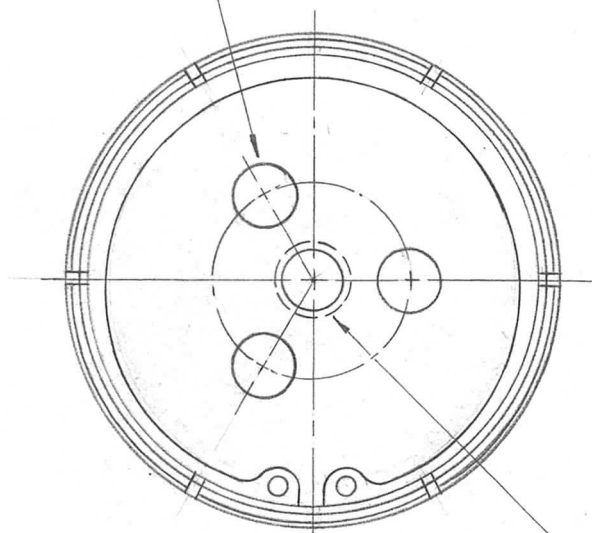


REQ. PER UNIT	USED ON			PO-290 0
	MODEL	ASS'Y. NO.	DATE	
1	GPT-200K	AX-395	9-24-63	

(3) 5/16 DIA. HOLES SPACED 120° APART ON 1/2 RAD.



DRILL & TAP 3/8 - 16 THRDS. CLASS 2

REQ. ITEM	PART NO.	F. BUDETTI	DESCRIPTION	SYMBOL							
			THE TECHNICAL MATERIEL CORP. MAMARONECK, NEW YORK								
			CONNECTOR, RF TRANSMISSION LINE 6-1/8 STUB								
0	ORIGINAL RELEASE	5.16.64	ATB								
SYM	DESCRIPTION	DATE	CH. NO.	DRAFTS	CHECKER	ENG. APP.	MATERIAL				
UNLESS OTHERWISE SPECIFIED DIMENSIONS ARE IN INCHES AND INCLUDE CHEMICALLY APPLIED OR PLATED FINISHES		SCALE	1" = 1"					SRG	aa	RAC	
DECIMALS .X ± .05 .XX ± .01 .XXX ± .005	TOLERANCES	FRACTIONS ± 1/64 ANGLES ± 0° 30'	CODE				TYPE & TEMPER	HEAT TREAT. SPEC.	DRAWN	CHECKED	FINAL APPROVAL
									SRG	aa	PO-290 0
							FINISH & SPEC. NO.		ELEC. DES. APP.	MECH. DES. APP.	