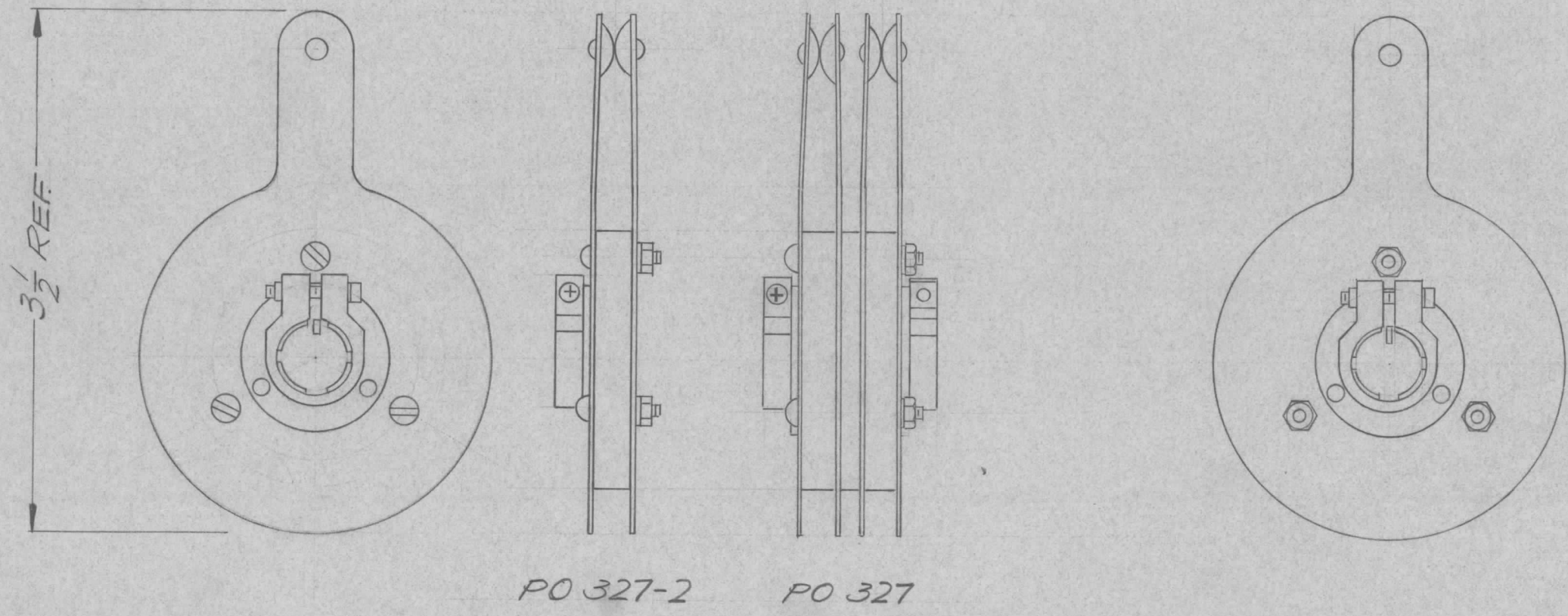


REVISIONS						
ZONE	LTR	DESCRIPTION	DATE	E.M.N.NO	DRAFT	CHKD APPD
	Ø	ORIG RELEASE FOR PROD	3/25/71		CV	GE J
	A	PO 327-2 ADDED	3/8/72	20556	GE	EP EP



SPECIFICATIONS

- 20,000 V PEAK FLASHOVER AT 60 CPS.
- 80 AMP CURRENT CARRYING CAPACITY.
- SILVER PLATED CONTACT BUTTONS & MEMBERS

PO 327 AS SHOWN  
 PO 327-2 ONE SET CONTACTS & CLAMP

1	MAT-5	BMA 477
1	BCT10K	AS 133
QTY / UNIT	MODEL USED ON	ASS'Y NO.

**APPLICATION**

CODE

**NOTICE TO PERSONS RECEIVING THIS DRAWING**  
 THE TECHNICAL MATERIEL CORPORATION claims proprietary right in the material disclosed hereon. This drawing is issued in confidence for engineering information only and may not be reproduced or used to manufacture anything shown hereon without permission from THE TECHNICAL MATERIEL CORPORATION to the user. This drawing is loaned for mutual assistance and is subject to recall at any time.

UNLESS OTHERWISE SPECIFIED DIMENSIONS ARE IN INCHES AND INCLUDE CHEMICALLY APPLIED OR PLATED FINISHES

DECIMALS	FRACTIONS	TOLS.
.X ± .05	1/64	
.XX ± .01	ANGLES	
.XXX ± .005	0° -30'	

MATERIAL

FINISH

REQ'D	ITEM	PART NUMBER	DESCRIPTION	SYM.
F. BUDETTI LIST OF MATERIAL				
FINAL APPROVAL	DATE	THE TECHNICAL MATERIEL CORP. MAMARONECK, NEW YORK		
MECH. DES.	DATE			
ELECT. DES.	DATE			
CHECKED	DATE			
DRAWN	DATE	ROTOR		
5401-113 (MODEL 90)		SIZE	CODE IDENT. NO.	DWG NO.
		B	82679	PO 327
		SCALE 1:1	SHEET	OF
				ISSUE A