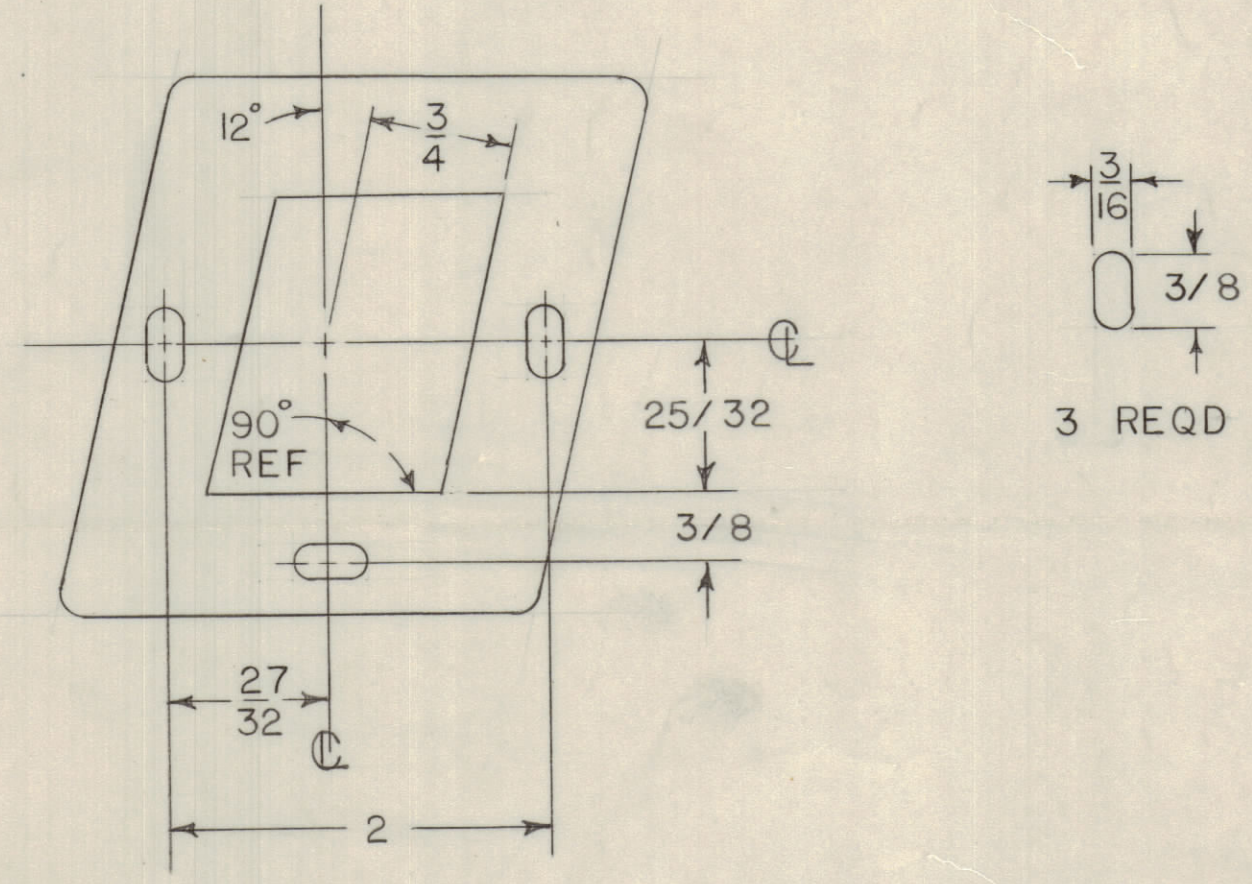
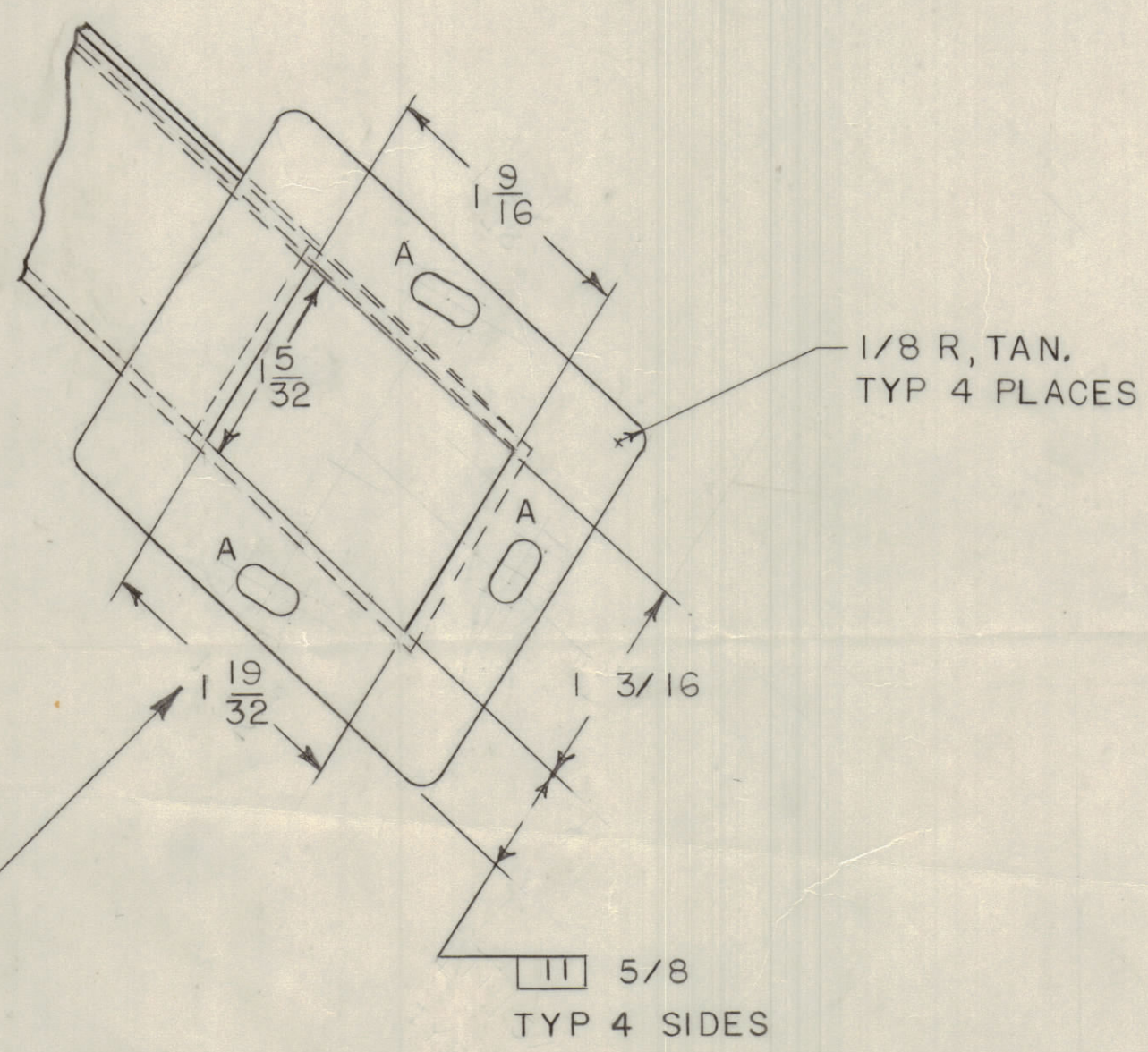
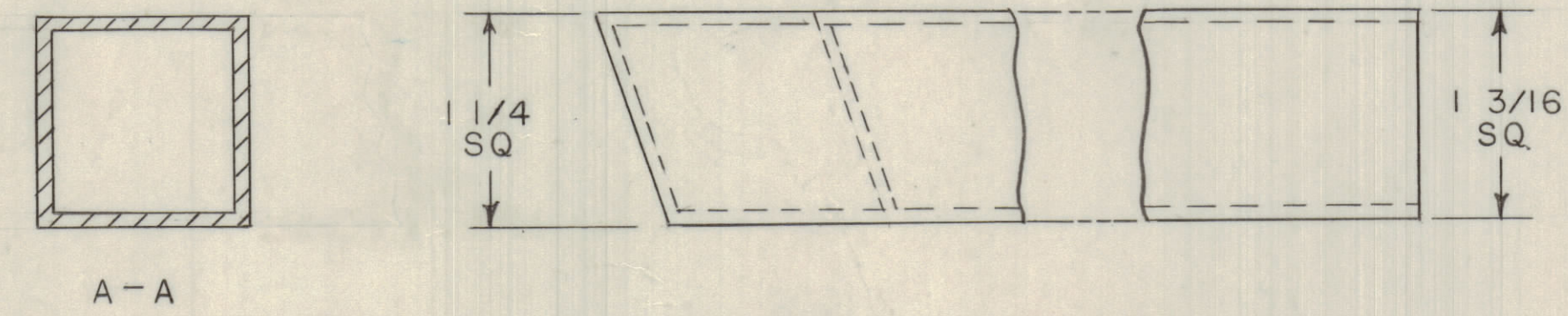
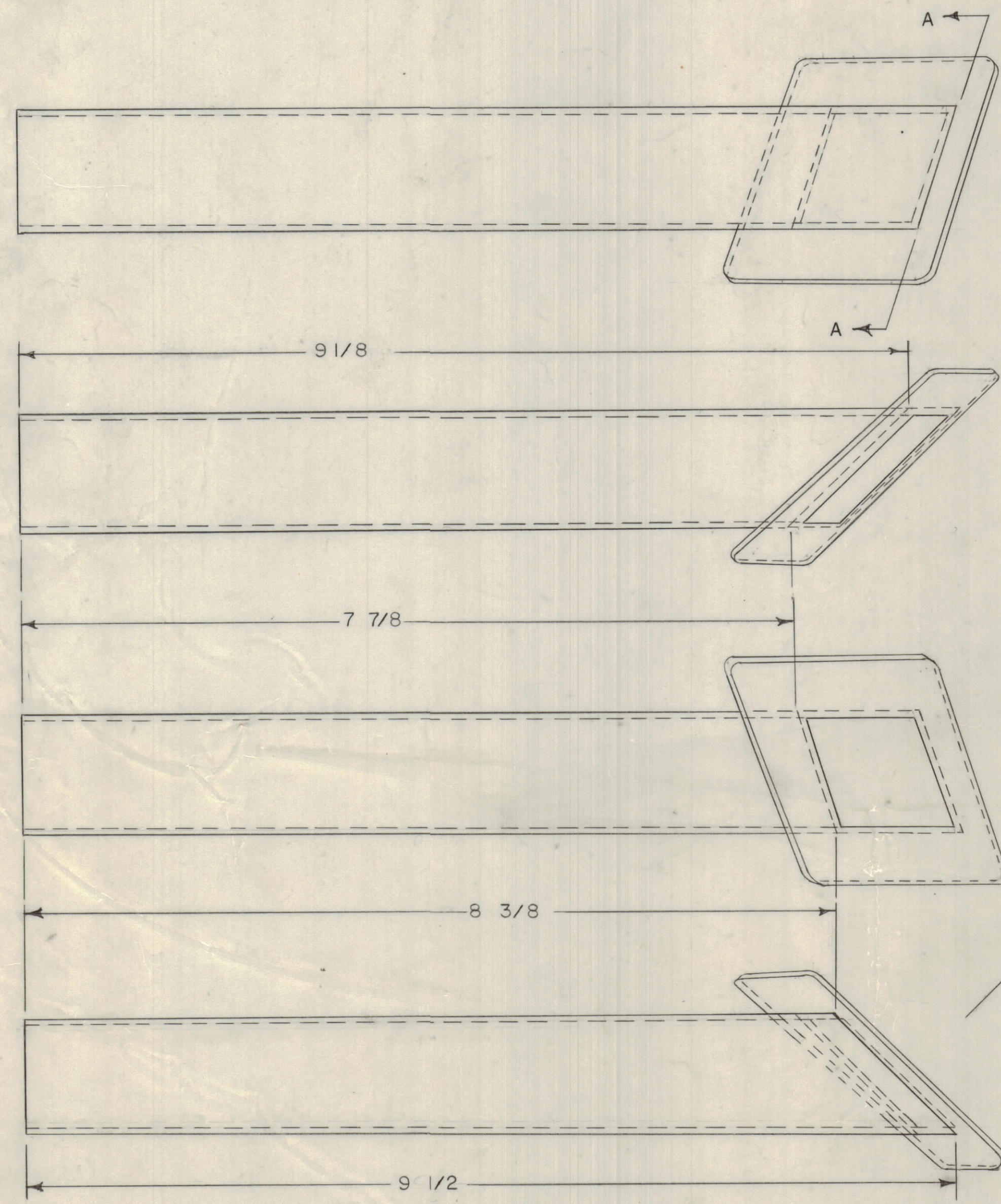


| HOLE | DESCRIPTION | REQD |
|------|-------------|------|
| A | SEE DETAIL | 3 |

| REVISIONS | | | | | | | |
|-----------|-------|------|------|-----|---------------------------------|---------|----------|
| E.M.N.NO | DRAFT | CHKD | ZONE | LTR | DESCRIPTION | DATE | APPROVED |
| | RF | | | X | EXP RELEASE | 1-11-71 | |
| | | | | | ORIGINAL RELEASE FOR PRODUCTION | 3/1/71 | g.p.b. |



DETAIL A

| | | |
|---|---------------|-----------|
| 1 | AX5114 | BMA 437 |
| QTY / UNIT | MODEL USED ON | ASS'Y NO. |
| APPLICATION | | |
| CODE | | |
| <small>NOTICE TO PERSONS RECEIVING THIS DRAWING</small> <small>THE TECHNICAL MATERIEL CORPORATION claims proprietary right in the material disclosed hereon. This drawing is issued in confidence for engineering information only and may not be reproduced or used to manufacture anything shown hereon without permission from THE TECHNICAL MATERIEL CORPORATION to the user. This drawing is loaned for mutual assistance and is subject to recall at any time.</small> | | |

UNLESS OTHERWISE SPECIFIED DIMENSIONS ARE IN INCHES AND INCLUDE CHEMICALLY APPLIED OR PLATED FINISHES

| TOLERANCES ON | |
|---------------|-----------|
| DECIMALS | FRACTIONS |
| .X ± .05 | ± 1/64 |
| .XX ± .01 | ANGLES |
| .XXX ± .005 | ± 0° -30' |

| QTY. REQ. | ITEM | PART NO. | DESCRIPTION | SYMBOL |
|-------------------|------|------------------------|--|--------|
| LIST OF MATERIAL | | | | |
| FINAL APPROVAL | | DATE | THE TECHNICAL MATERIEL CORP. MAMARONECK, NEW YORK FLUE, AIR FLOW | |
| MECH. DES. | | DATE | | |
| ELECT. DES. | | DATE | | |
| CHECKED | | DATE | | |
| DRAWN | | DATE | SIZE CODE IDENT NO. DWG NO. ISSUE D 82679 PX 1158 | |
| MATERIAL | | FINISH | | |
| FIBERGLASS, 3 PLY | | SCALE 1/1 SHEET 1 OF 1 | | |