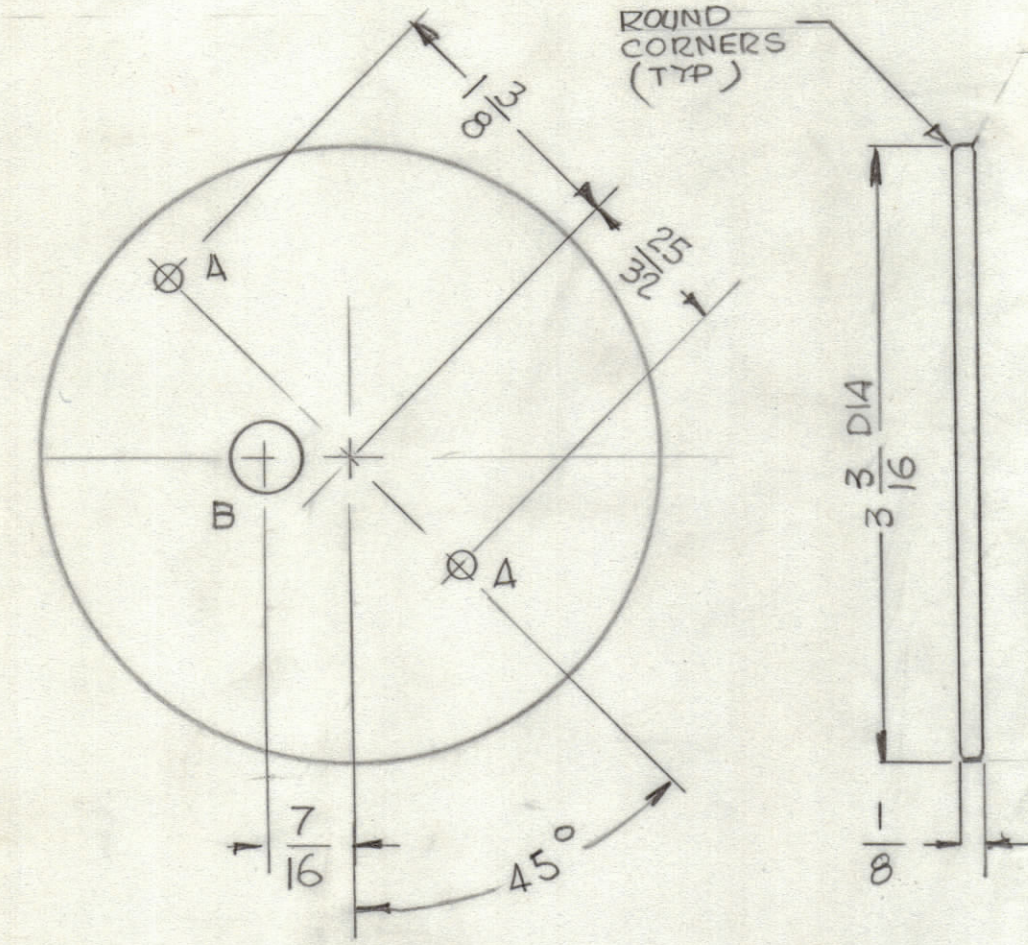


HOLE -
 A - 9/64 DIA 2 REQ'D
 B - 3/8 DIA

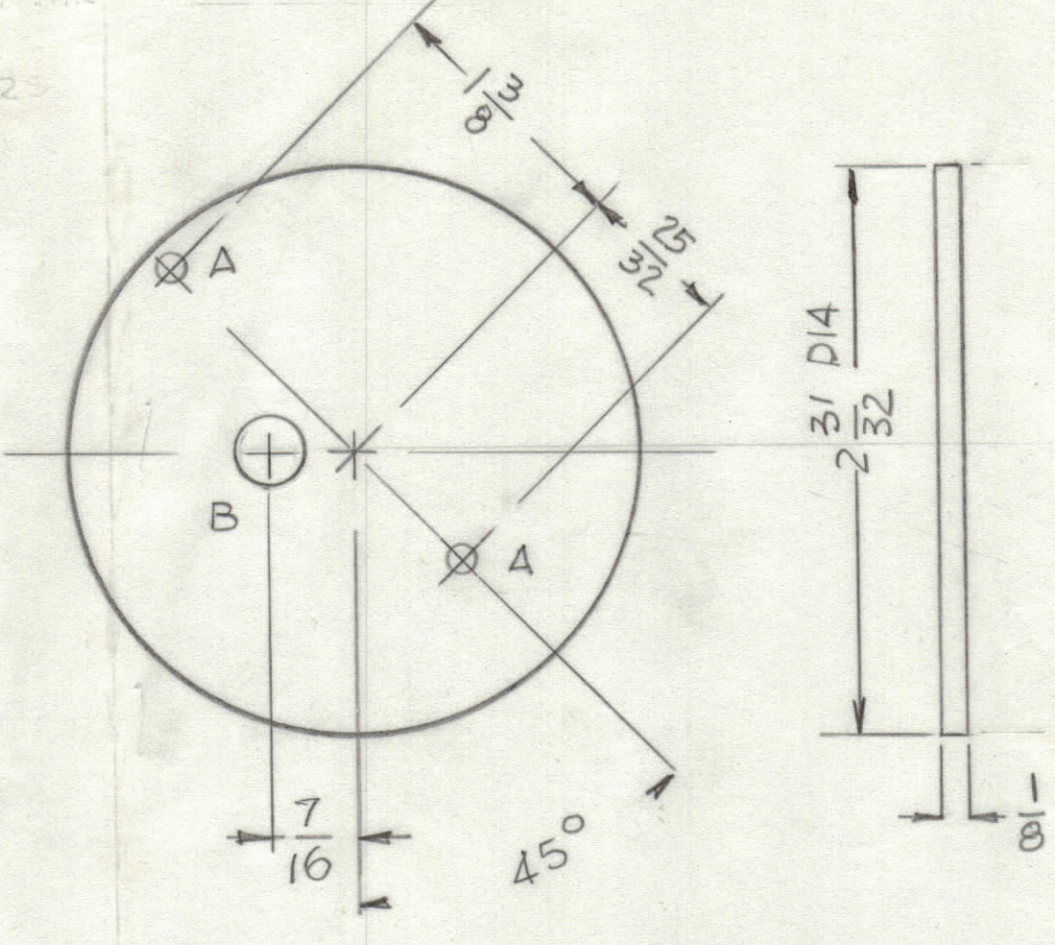
MATERIAL - DELRIN
 1/8 THK



PX1287-1

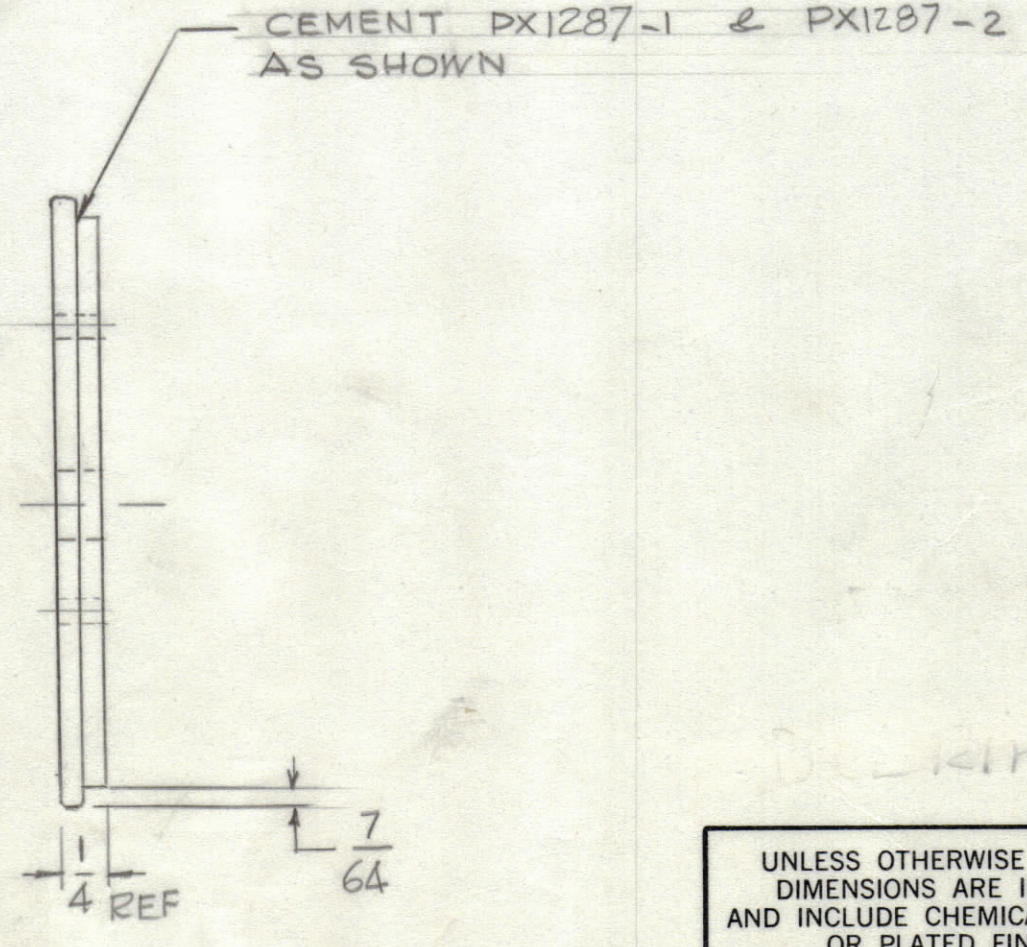
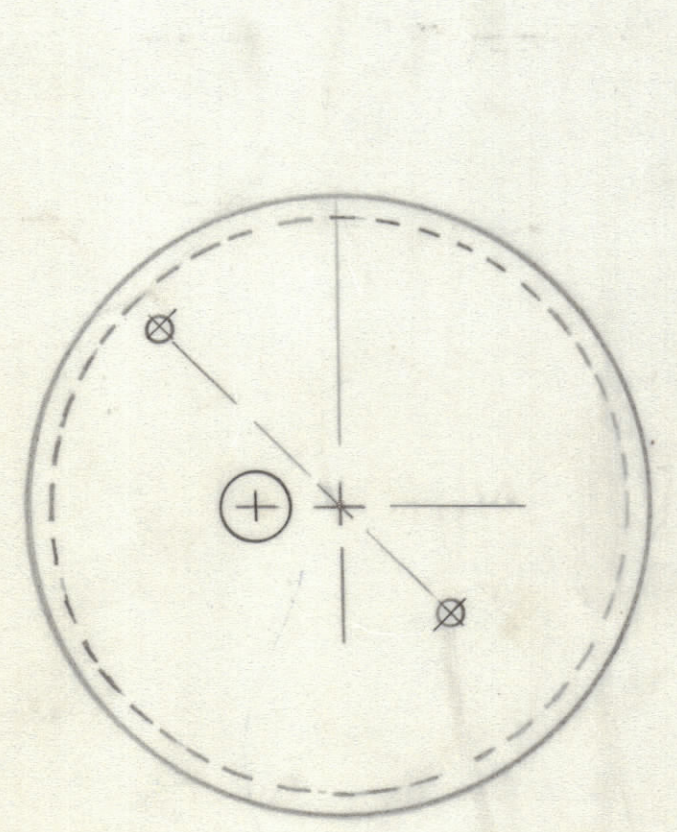
HOLE -
 A - 5/32 DIA 2 REQ'D
 B - 3/8 DIA

MATERIAL - DELRIN
 1/8 THK



PX1287-2

REVISIONS						
ZONE	LTR	DESCRIPTION	DATE	E.M.N.NO	DRAFT	CHKD APPD
Ø		ORIGINAL RELEASE	8/28/87			



CEMENT PX1287-1 & PX1287-2
 AS SHOWN

QTY / UNIT	GPT-10K	ASS'Y NO.
APPLICATION		
CODE		

NOTICE TO PERSONS RECEIVING THIS DRAWING
 THE TECHNICAL MATERIEL CORPORATION claims proprietary right in the material disclosed hereon. This drawing is issued in confidence for engineering information only and may not be reproduced or used to manufacture anything shown hereon without permission from THE TECHNICAL MATERIEL CORPORATION to the user. This drawing is loaned for mutual assistance and is subject to recall at any time.

UNLESS OTHERWISE SPECIFIED DIMENSIONS ARE IN INCHES AND INCLUDE CHEMICALLY APPLIED OR PLATED FINISHES	
TOLERANCES ON DECIMALS .X ± .05 .XX ± .01 .XXX ± .005	TOLERANCES ON FRACTIONS ± 1/64 ANGLES ± 0°-30'
MATERIAL	DELRIN
FINISH	BLACK

QTY. REQ.	ITEM	PART NO.	DESCRIPTION	SYMBOL
LIST OF MATERIAL				
FINAL APPROVAL		DATE	THE TECHNICAL MATERIEL CORP. MAMARONECK, NEW YORK PLATE, MTG TIME DELAY	
MECH. DES.		DATE		
ELECT. DES.		DATE		
CHECKED		DATE		
DRAWN		DATE		
		G.D.L.	11-5-87	
SIZE	CODE	IDENT. NO.	DWG. NO.	ISSUE
C	82679		PX1287	Ø
SCALE	1:1		SHEET	OF