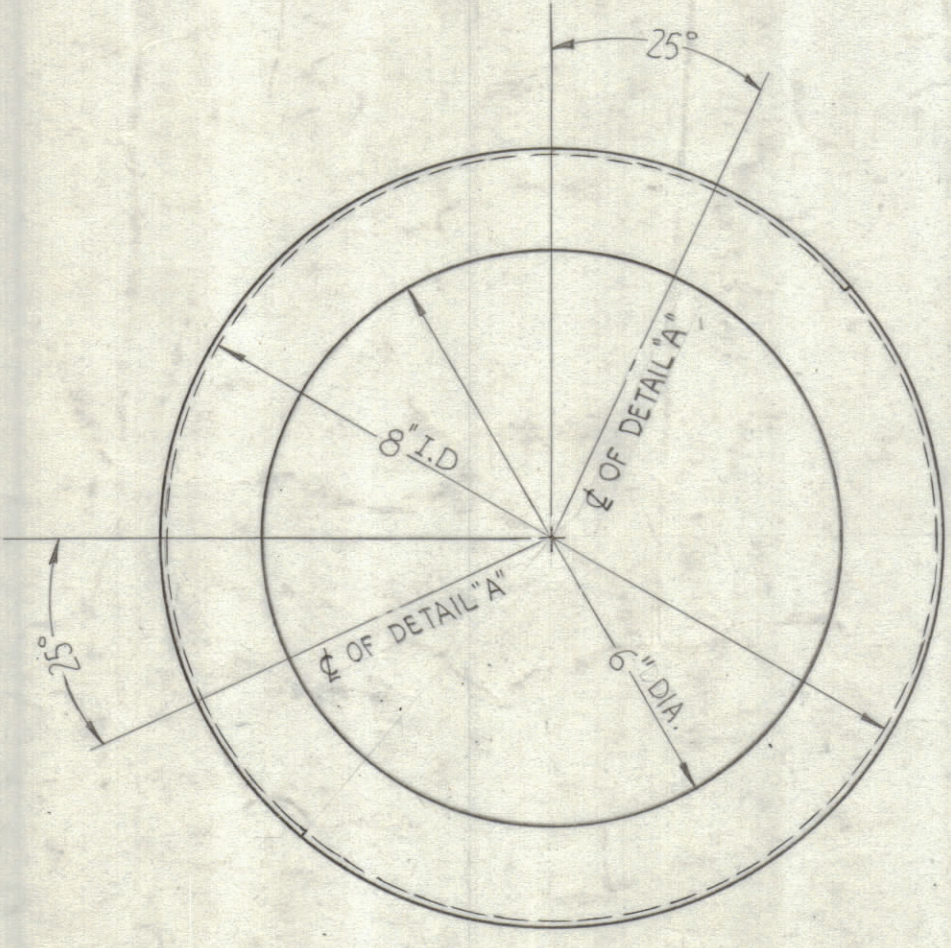
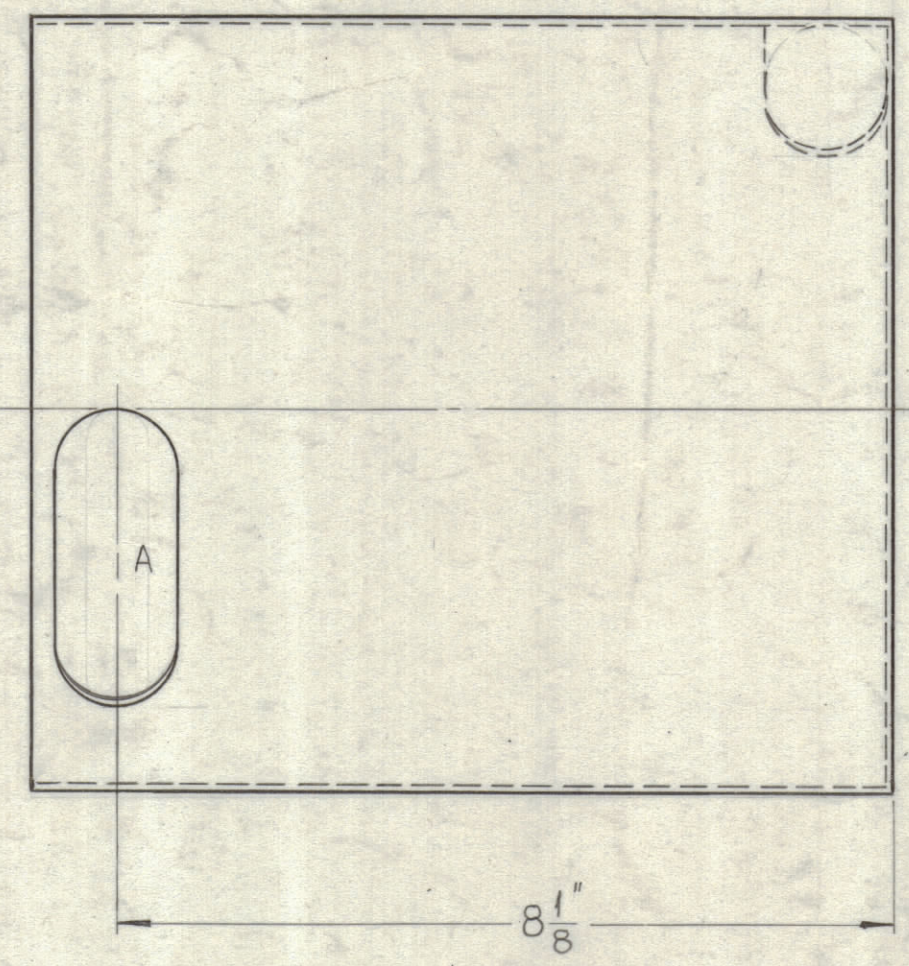
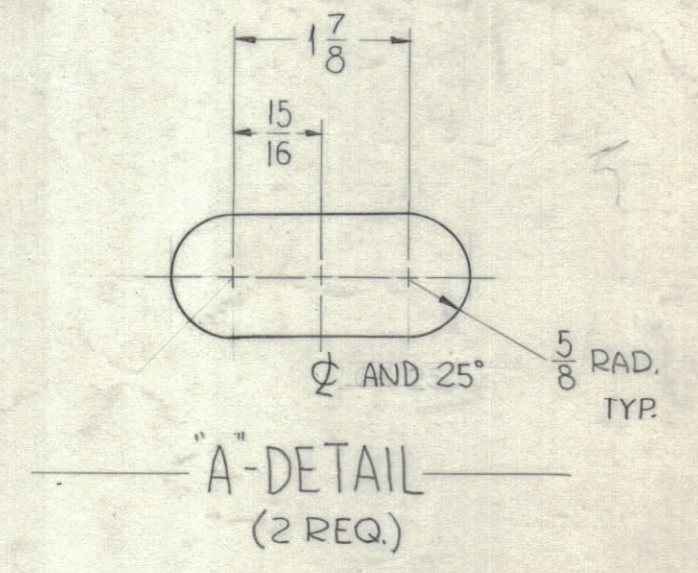
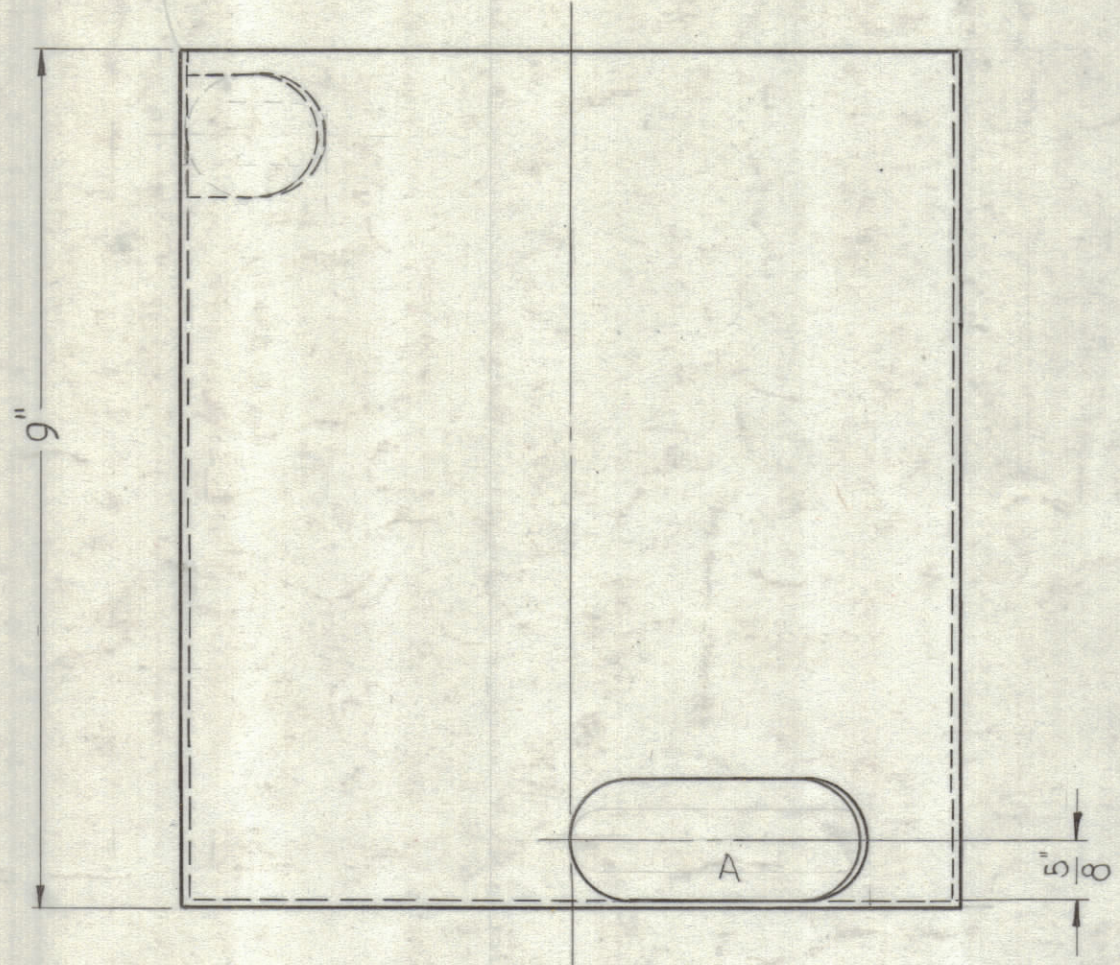


REVISIONS							
ZONE	SYM	DESCRIPTION	DATE	E.M.N. NO.	DRAFT	CHKD	APPD
	0	ORIGINAL RELEASE FOR PROD	5/11/64				



REQ'D.	ITEM	PART NUMBER	DESCRIPTION	SYMBOL
F. BUDETTI LIST OF MATERIAL				
MATERIAL		THE TECHNICAL MATERIEL CORP.		
3 LAYERS (APPROX 1/32/LAYER)		MAMARONECK, NEW YORK		
83-VP PRE PREG. FIBERGLASS		TITLE		
FINISH		RETAINER, COIL		
NATURAL		DRAWN SRG		
UNLESS OTHERWISE SPECIFIED		DATE 10-1-62		
DIMENSIONS ARE IN INCHES AND INCLUDE		CHECKED [Signature]		
CHEMICALLY APPLIED OR PLATED FINISHES		DATE [Signature]		
DECIMALS		ELECT. DES. [Signature]		
.X ± .05		DATE [Signature]		
.XX ± .01		MECH. DES. [Signature]		
.XXX ± .005		DATE [Signature]		
TOLERANCES		SHEET		
± 1/64		REV. LTR.		
ANGLES		PX-724 0		
± 0° 30'				

2	GPT-200K AX-393	A-3160
Q'TY./UNIT	MODEL USED ON	ASS'Y. NO.
SCALE #	CODE A	

NOTES

THE CONTENTS OF THIS DRAWING ARE THE EXCLUSIVE PROPERTY OF THE TECHNICAL MATERIEL CORP. ITS UNAUTHORIZED USE OR REPRODUCTION IN WHOLE OR IN PART IS STRICTLY FORBIDDEN.

PX-724 0