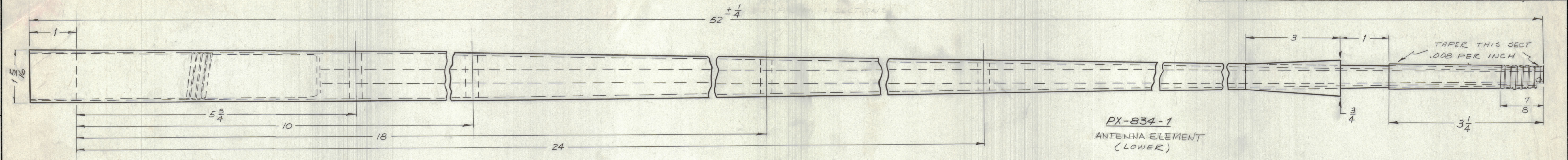
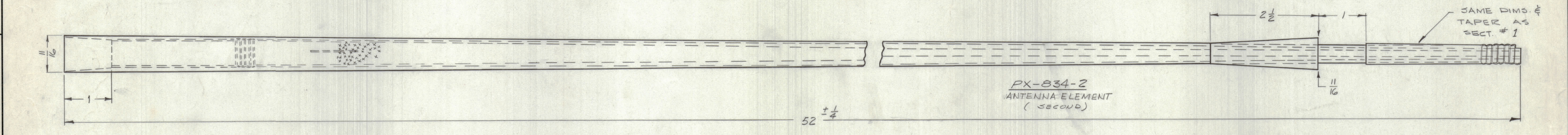


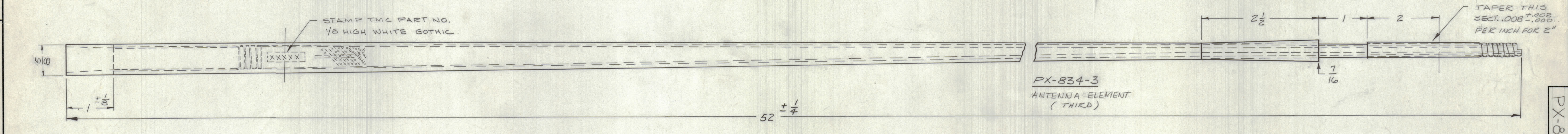
REVISIONS						
ZONE	SYM	DESCRIPTION	DATE	E.M.N. NO.	DRAFT	CHKD
A		ADDED PX 834-5	5/26/63	19453	GE	EFH



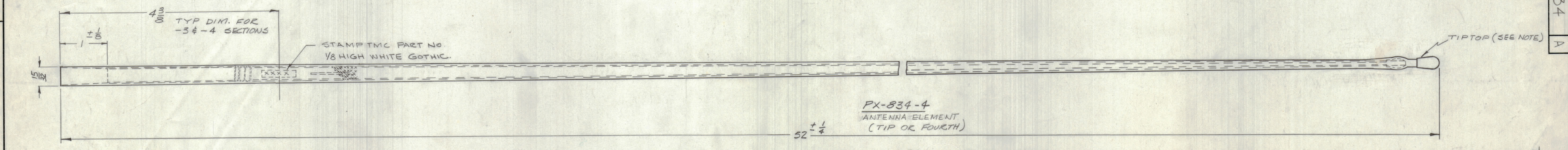
PX-834-1
ANTENNA ELEMENT
(LOWER)



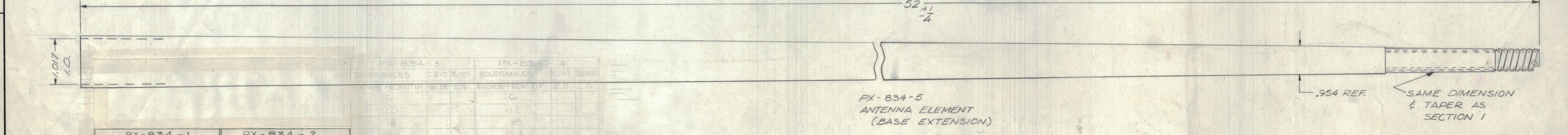
PX-834-2
ANTENNA ELEMENT
(SECOND)



PX-834-3
ANTENNA ELEMENT
(THIRD)



PX-834-4
ANTENNA ELEMENT
(TIP OR FOURTH)



PX-834-5
ANTENNA ELEMENT
(BASE EXTENSION)

PX-834-1			PX-834-2		
TOLERANCES	±.010	±.005	TOLERANCES	±.010	±.005
INCHES FROM TIP	O.D.	I.D.	INCHES FROM TIP	O.D.	I.D.
6	.515	.267	6	.425	.263
12	.593	.366	12	.446	.292
18	.672	.465	18	.476	.322
24	.762	.564	24	.505	.352
30	.850	.663	30	.540	.381
36	.941	.762	36	.573	.410
42	1.071	.861	42	.635	.439
48	1.254	—	48	.734	—
52	1.318	1.155	52	.745	.562

PX-834-3			PX-834-4		
TOLERANCES	±.010	±.005	TOLERANCES	±.010	±.005
INCHES FROM TIP	O.D.	I.D.	INCHES FROM TIP	O.D.	I.D.
6			6		
12			12		
18			18		
24			24		
30			30		
36			36		
42			42		
48			48		
52			52		

SCALE	MODEL USED ON	ASSY. NO.
NONE	C	5401-253

REQ'D.	ITEM	PART NUMBER	DESCRIPTION	SYMBOL

LIST OF MATERIAL	
MATERIAL	LAMINATED FIBER GLASS
FINISH	—
THE TECHNICAL MATERIEL CORP. MAMARONECK, NEW YORK	
ELEMENTS, ANTENNA	

UNLESS OTHERWISE SPECIFIED	DRAWN	DATE	FINAL APPROVAL	DATE
DIMENSIONS ARE IN INCHES AND INCLUDE CHEMICALLY APPLIED OR PLATED FINISHES	EFH	11/1/63	EFH	11/1/63

DECIMALS	FRACTIONS	TOLERANCES	MECH. DES.	DATE
XX ± .05	± 1/64	± .008	MMH	11/1/63
XX ± .01	± 1/32			
XXX ± .005	± 0° 30'			

NOTES

PX-834
A

PX-834
A