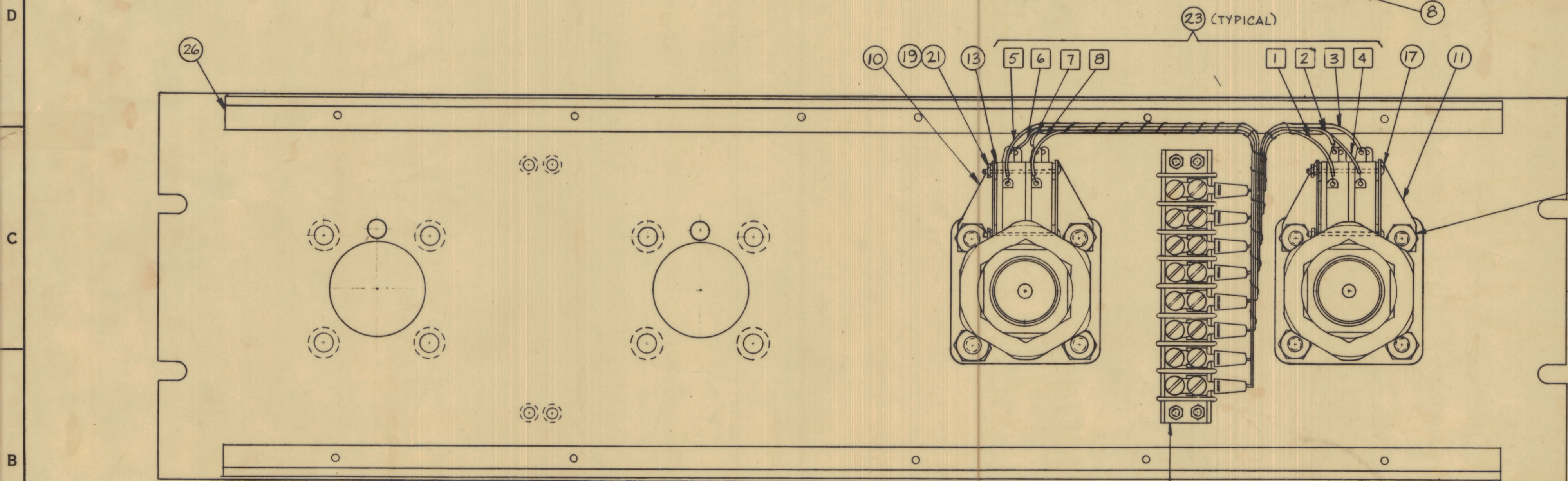
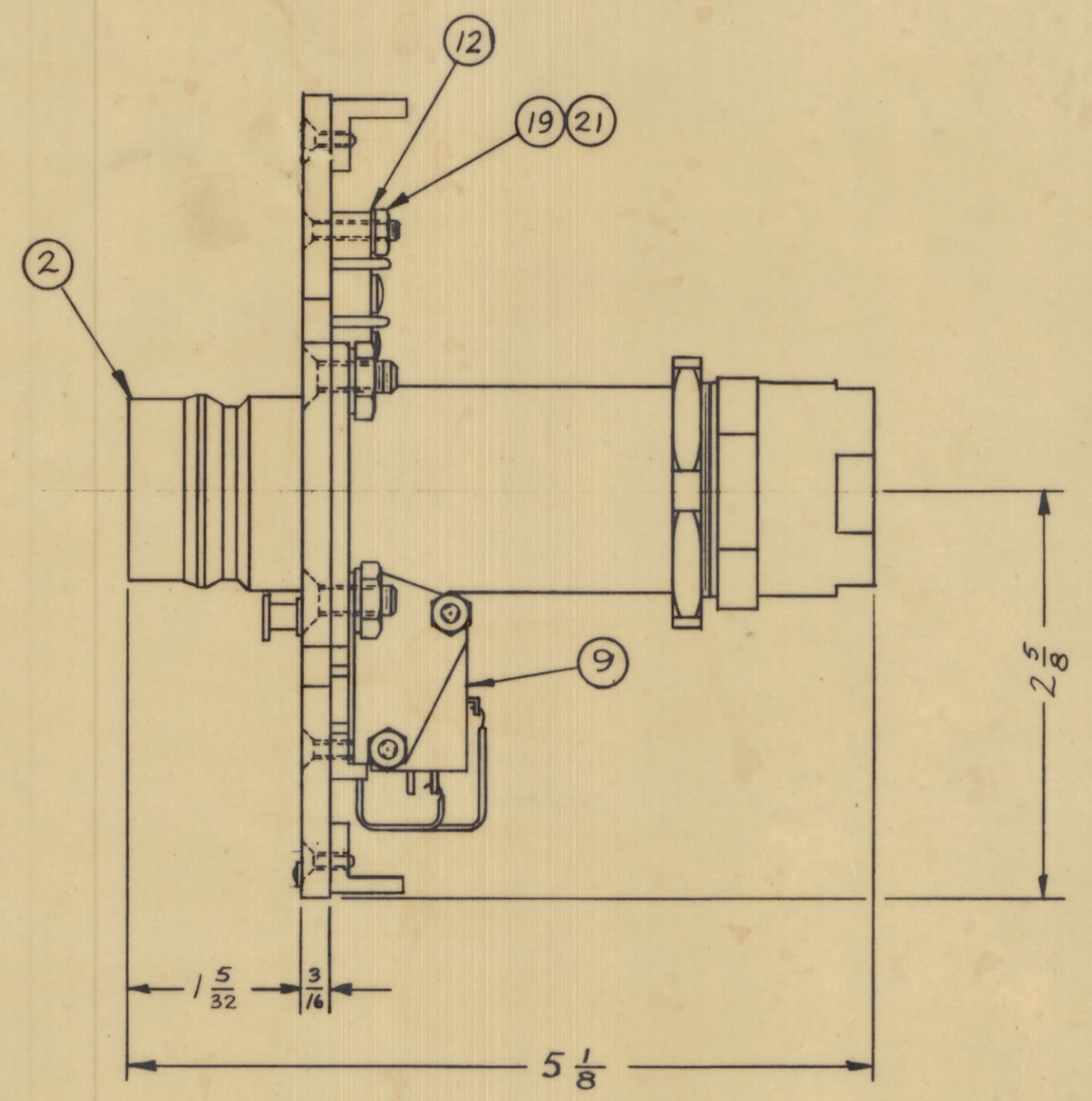
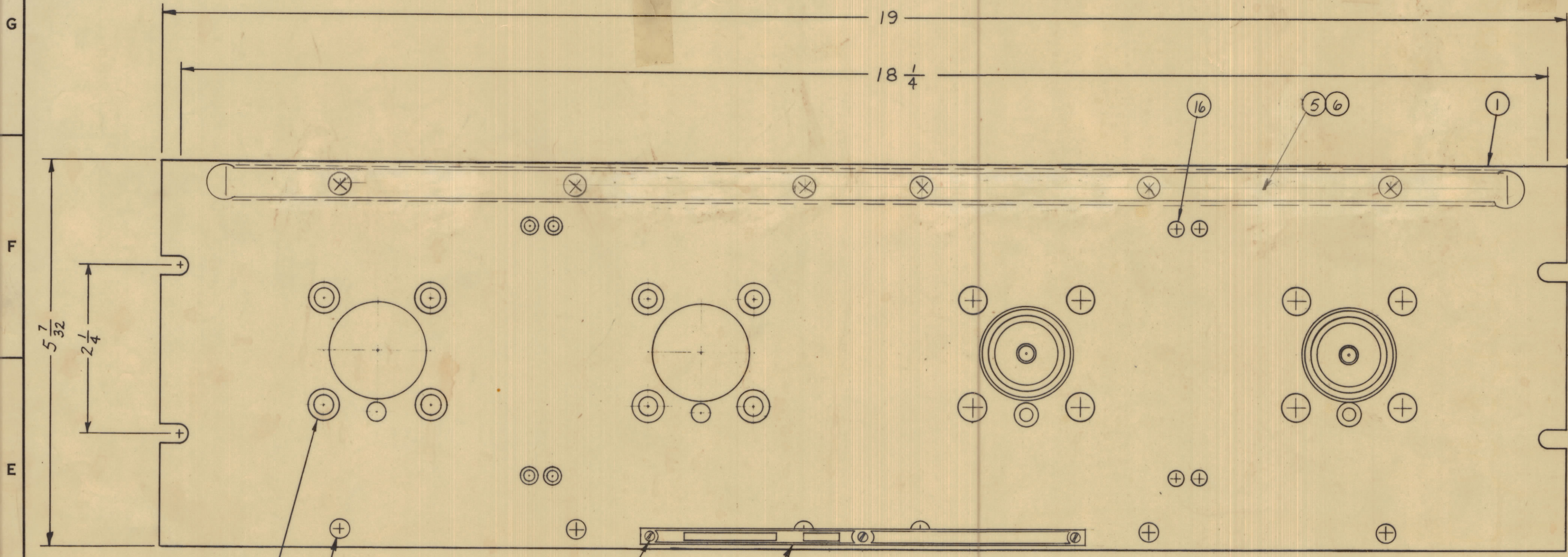
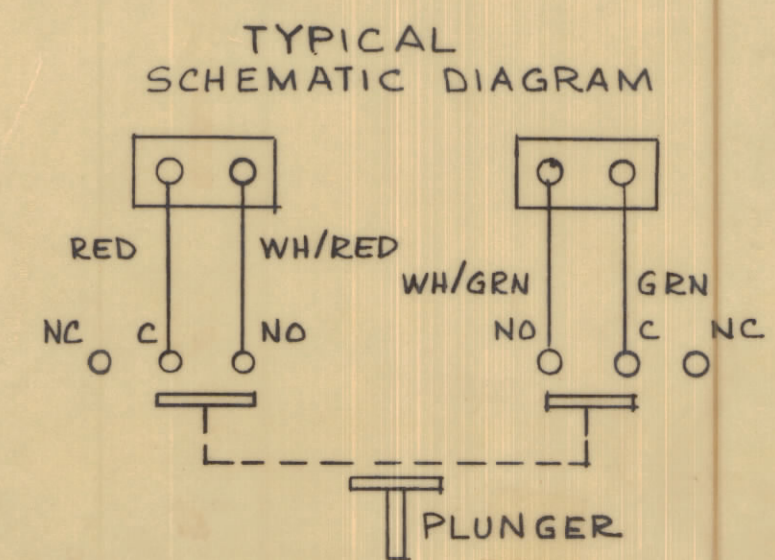


REVISIONS					
ZONE	SYM	DESCRIPTION	DATE	E.M.N. NO.	APP'D
A3/C3	A	ITEM (2) QTY WAS 4, ITEM (23) QTY WAS 1	4-23-63	20050	GDL
	B	ITEM 4 MS-576 & ITEM 15 DELETED PICTORIAL UPDATED	4-4-64	20050	GDL



ITEM 23 INSTALLATION (COLOR CODE)

- 1 RED
- 2 WHITE/RED
- 3 WHITE/GREEN
- 4 GREEN
- 5 RED
- 6 WHITE/RED
- 7 WHITE/GREEN
- 8 GREEN



NOTE:
ITEMS 25 & 28 TO BE SHIPPED AS LOOSE ITEM.

REQ'D.	ITEM	PART NUMBER	DESCRIPTION	SYMBOL
X	29	S-716	TEST PROCEDURE	
X	1	28	S-345/QDL ASSY PROCEDURE CABLE & CONNECTOR	
	12	27	SCFP0632BN5 SCREW, MACHINE	
	2	26	PM-490 BRACE, PANEL	
X	2	25	TM-105-8AR FANNING STRIP (LOOSE ITEM)	
	1	24	NP-250 NAMEPLATE IDENTIFICATION	
	2	23	CA-345 CABLE	
	16	22	NTH1032BN12 NUT, HEXAGON	
	16	21	NTH0440BN6 NUT, HEXAGON	
	16	20	LWE10MRN WASHER, LOCK EXTERNAL	
	16	19	LWE04MRN WASHER, LOCK EXTERNAL	
	16	18	SCFP1032BN10 SCREW, MACHINE	
	8	17	SCBP0440BN18 SCREW, MACHINE	
	8	16	SCFP0440BN10 SCREW, MACHINE	
		15		
	3	14	SFBO256SN3 SCREW, THREAD CUTTING	
	16	13	WA-109-17 WASHER, FIBRE	
	4	12	MS-154-1 PLATE STRADDLE	
	4	11	MS-986 BRACKET, SWITCH LEFT	
	4	10	MS-981 BRACKET, SWITCH RIGHT	
	8	9	SW-189 SWITCH, MICRO	
	4	8	PM-427-1 CONTACT SWITCH	
	4	7	BB-115 BEARING, PANEL (P/O A-1349-1)	
	4	6	PX-249 GUARD, TAB	
	4	5	PX-250 TAB, PAPER	
		4		
	2	3	TM-102-8 TERMINAL STRIP, BARRIER TYPE	
	4	2	JJ-208 ADAPTOR, CONNECTOR	
	1	1	A-1349-1 MACHINING, FRONT PANEL	

MATERIAL		LIST OF MATERIAL	
MATERIAL	ALUMINUM	THE TECHNICAL MATERIEL CORP. MAMARONECK, NEW YORK	
FINISH	TMC SMOOTH GRAY SEMI-GLOSS ENAMEL	TITLE QUICK DISCONNECT PATCH PANEL QDL TO CABLE	
SCALE	DO NOT SCALE	DRAWN	M TANTILLO
UNLESS OTHERWISE SPECIFIED DIMENSIONS ARE IN INCHES AND INCLUDE CHEMICALLY APPLIED OR PLATED FINISHES		CHECKED	
DECIMALS	1/16	DATE	2-28-63
FRACTIONS	1/64	DATE	
ANGLES	± 0° 30'	ELECT. DWG.	
TOLERANCES	± 0.005	MECH. DWG.	

THE CONTENTS OF THIS DRAWING ARE THE EXCLUSIVE PROPERTY OF THE TECHNICAL MATERIEL CORP. ITS UNAUTHORIZED USE OR REPRODUCTION IN WHOLE OR IN PART IS STRICTLY FORBIDDEN.

NOTES

QDP-RG17AC2S4