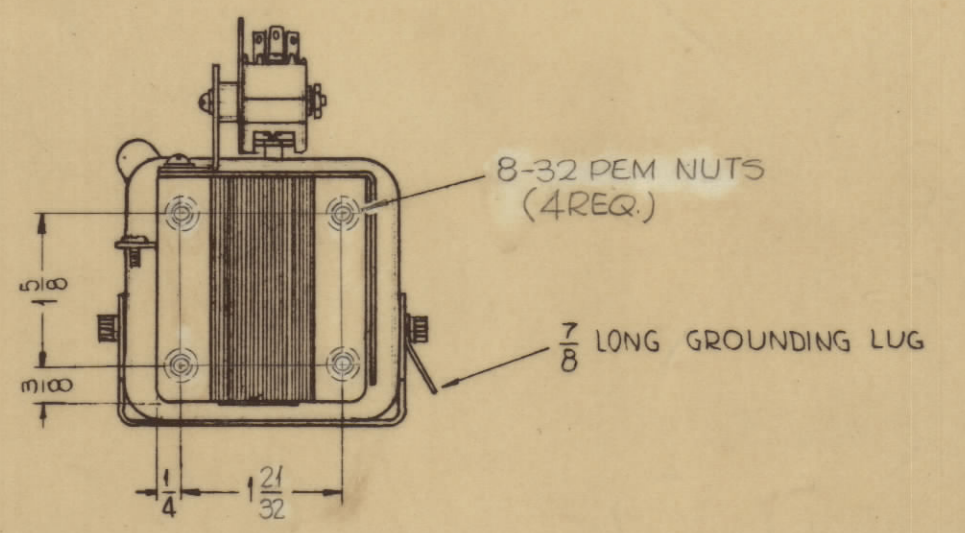
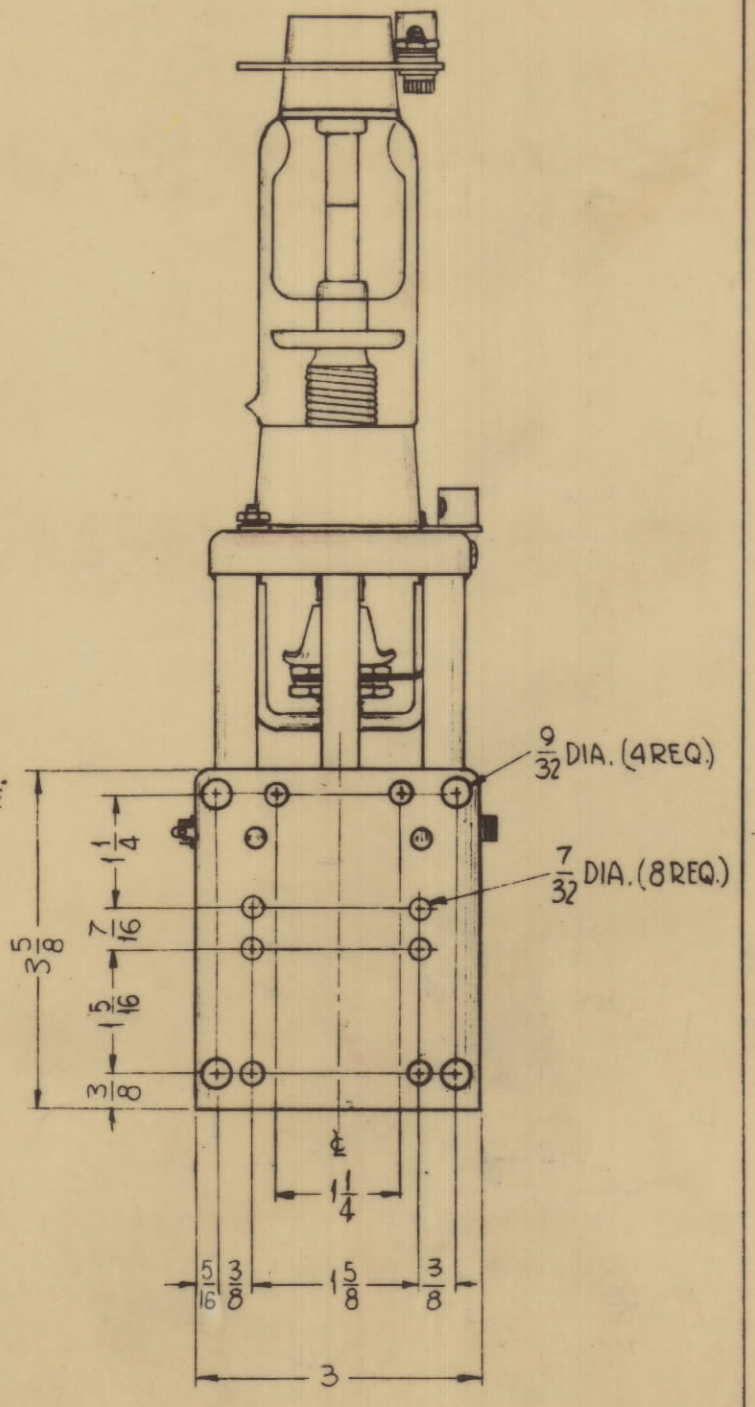
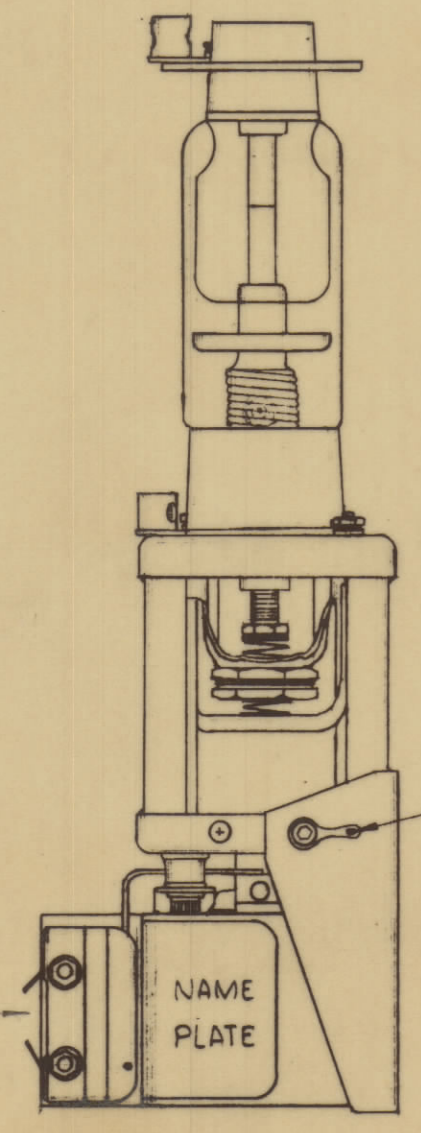
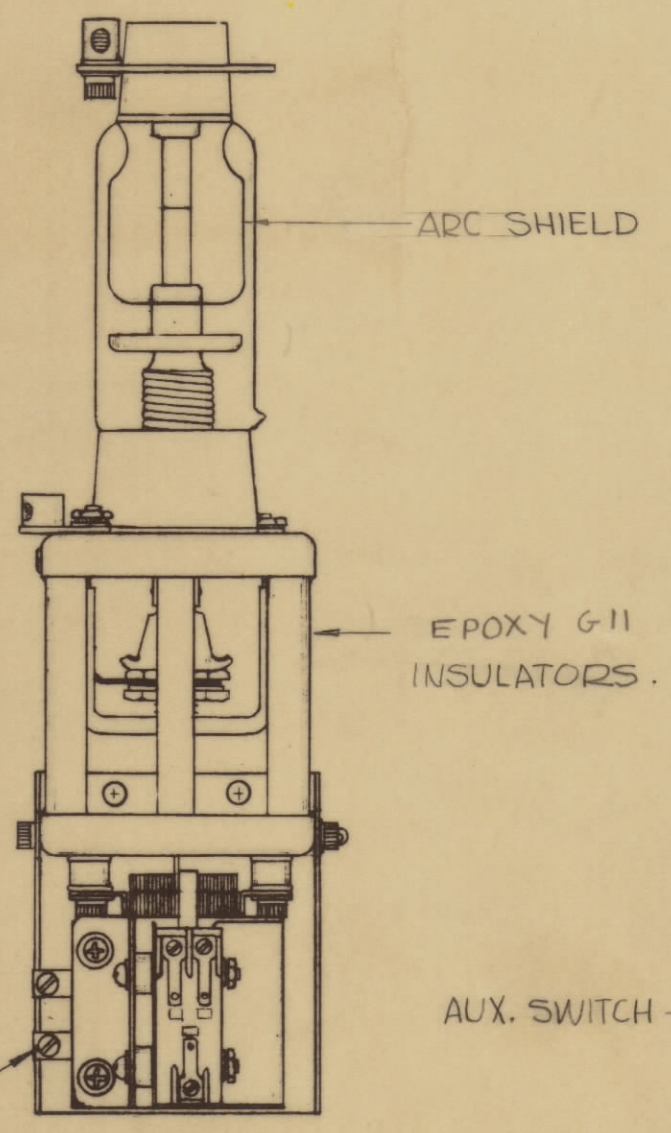
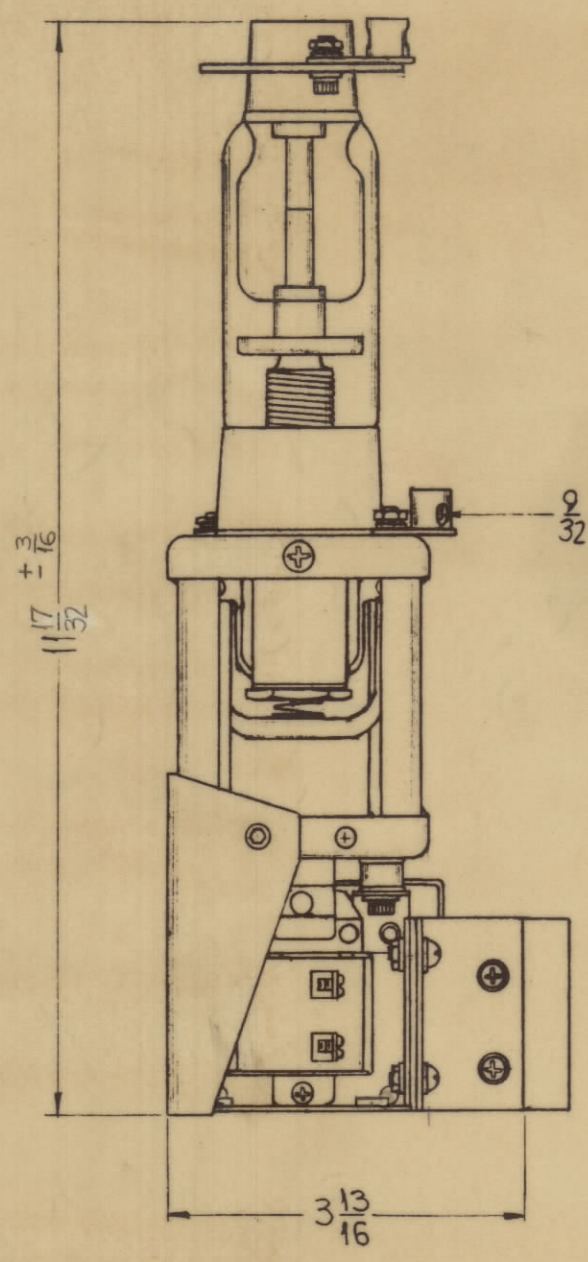
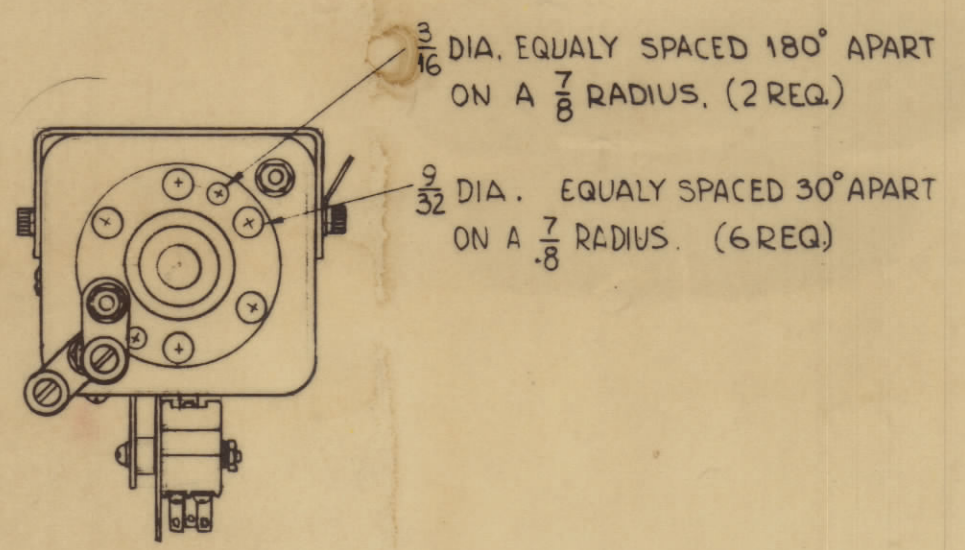


REVISIONS						
ZONE	SYM	DESCRIPTION	DATE	E.M.N. NO.	DRAFT	CHKD
	0	ORIGINAL RELEASE FOR PRODUCTION	5.18.64		WJB	
	A	R1G4253A22A10 WAS R1G4202A22A10	1/8/65	15407	WVY.	



— SPECIFICATIONS —  
 SWITCH TYPE ~ RIG  
 PEAK TEST VOLTAGE ~ 50KV  
 RMS AMPS ~ 100  
 INSUL PK TEST VOLT ~ 25KV  
 SOLENOID VOLTAGE ~ 230 AC  
 MODEL & ACCESS ~ R1G4253A22A10

AUXILIARY SWITCH:  
 SINGLE POLE DOUBLE THROW  
 230 VOLTS } CONTACTS  
 15 AMP.

DL 148  
 A

REQ'D.	ITEM	PART NUMBER	DESCRIPTION	SYMBOL
F. BUDETTI LIST OF MATERIAL				
MATERIAL		THE TECHNICAL MATERIEL CORP. MAMARONECK, NEW YORK		
FINISH		TITLE RELAY, SHORTING		
UNLESS OTHERWISE SPECIFIED DIMENSIONS ARE IN INCHES AND INCLUDE CHEMICALLY APPLIED OR PLATED FINISHES		DRAWN Granillo CHECKED aa ELECT. DES. [Signature] MECH. DES. [Signature]	DATE 10-10-62 DATE [Signature] DATE 5/1/64 DATE [Signature]	FINAL APPROVAL [Signature] DATE [Signature]
DECIMALS .X ± .05 .XX ± .01 .XXX ± .005		FRACTIONS ± 1/32 ANGLES ± 0° 30'		TOLERANCES ± 1/32 ± 0° 30'
SHEET RL 148 A REV. LTR.				

QTY./UNIT	MODEL USED ON	ASS'Y. NO.
1	GPT-200K	AP 111
1	GPT-200K	AP 109
SCALE		CODE
		S401-48

NOTES

THE CONTENTS OF THIS DRAWING ARE THE EXCLUSIVE PROPERTY OF THE TECHNICAL MATERIEL CORP. ITS UNAUTHORIZED USE OR REPRODUCTION IN WHOLE OR IN PART IS STRICTLY FORBIDDEN.