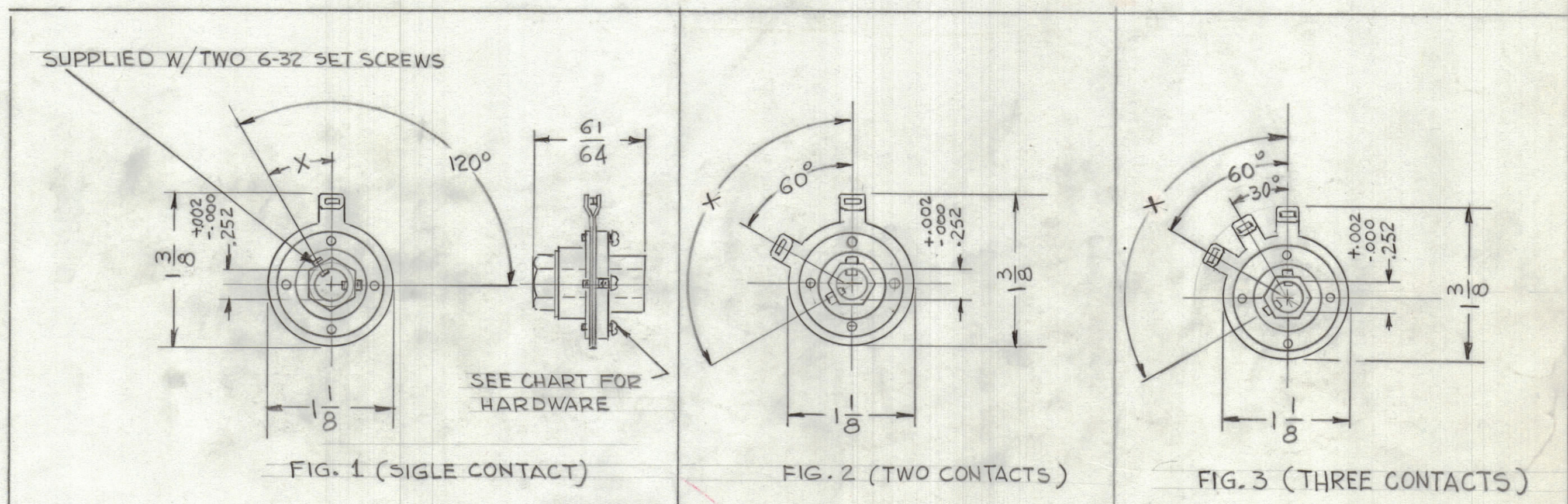


REVISIONS						
ZONE	LTR	DESCRIPTION	DATE	E.M.N.NO	DRAFT	CHKD APPD
	E	REDRAWN WAS ON "A" SIZE FIG.3 ADDED	1-9-75	21202	GDL	CL CH

TMC PART NO	TYPE	X DIMENSION	HARDWARE	CONTACTS	FIG.
RO100	SHORTING	30°	RIVETS OR SCREWS	1	1
RO100-2	NON SHORTING	120°	RIVETS	1	1
RO100-3	NON SHORTING	120°	RIVETS	2	2
RO100-4	SHORTING	120°	RIVETS	3	3



QTY. REQ.	ITEM	PART NO.	DESCRIPTION	SYMBOL
LIST OF MATERIAL				
THE TECHNICAL MATERIEL CORP. MAMARONECK, NEW YORK <h1 style="text-align: center;">ROTOR</h1>				
FINAL APPROVAL		DATE		
MECH. DES.		DATE		
ELECT. DES.		DATE		
CHECKED		DATE		
DRAWN	GDL	DATE	1-9-75	
SIZE	CODE IDENT.NO	DWG NO.	ISSUE	
C	82679	RO-100	E	
SCALE: 3401-41 (TYPE 86 ROTOR)			SHEET	OF

QTY / UNIT	MODEL USED ON	ASSY NO.
1	AS-114	A-1771
APPLICATION		
CODE		
NOTICE TO PERSONS RECEIVING THIS DRAWING THE TECHNICAL MATERIEL CORPORATION claims proprietary right in the material disclosed hereon. This drawing is issued in confidence for engineering information only and may not be reproduced or used to manufacture anything shown hereon without permission from THE TECHNICAL MATERIEL CORPORATION to the user. This drawing is loaned for mutual assistance and is subject to recall at any time.		

UNLESS OTHERWISE SPECIFIED DIMENSIONS ARE IN INCHES AND INCLUDE CHEMICALLY APPLIED OR PLATED FINISHES

TOLERANCES ON

DECIMALS	FRACTIONS
.X ± .05	± 1/64
.XX ± .01	ANGLES
.XXX ± .005	± 0° -30'

MATERIAL

FINISH