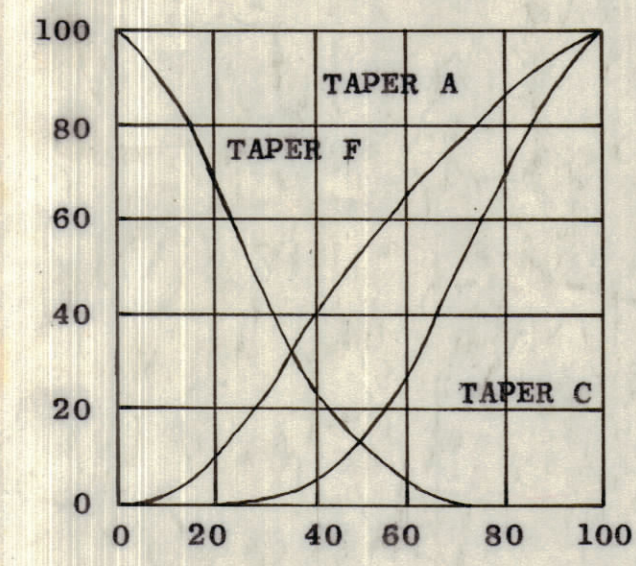


ZONE		SYM	DESCRIPTION	DATE	EM.N. NO.	DRAFT	CHKD	APPD.
B3, D4		J	REVISED & COMBINED	1-7-64	10705			
A5, 6		K	ON TMC PART NO. Y WAS 'X' COLUMN ON TEM. HUM. CH. DEF. CH. OLD RV4 TYPE CHART ALL NAYS IN BYS WERE NAYS IN BXS	5-1-64	11343	W.B.		
		L	*** ADDED ON CHART "A", ** DELETED FROM "D" TO "K". *** NOTE: "YY" ADDED	6/5/64	11490	A.M.		
		M	C. L. 2.0 *** ADDED ON CHART LENGTH CHART ON P. 2. SWITCH CHART. C. M. DPST NO. NON MIL TYPE ADDED TO SWITCH CHART.	7-31-64	11996	J.R.		
E2		N	ON SHAFT LENGTH CHART, "H, 1 1/2 ***" ADDED.	11-13-64	12916	J.R.		
		P	** ADDED TO "TOLERANCE & TAPER" CHART. * NOTE: ADDED "E" TO "A" TO SHAFT LENGTH CHART.	1-28-65	13373	J.B.		
		R	ADDED "D" DPST TYPE, "2ND" TO SWITCH CHART.	7-7-65	16507	J.R.		

TOLERANCE & TAPER			STYLE OF SHAFT		NOMINAL TOTAL RESISTANCE	
CHAR.	TAPER	TOL.			50 OHMS	35,000 OHMS
A	A	±10%	S SLOTTED		100	35,000 OHMS
B	A	±20%			150	50,000
C	C	±10%			250	75,000
D	C	±20%			350	100,000
E	F	±10%			500	150,000
F	F	±20%			750	250,000
					1,000	350,000
					1,500	500,000
					2,500	750,000
					3,500	1 Meg.
					5,000	1.5 Meg.
					7,500	2.5 Meg.
					10,000	3.5 Meg.
					15,000	5.0 Meg.
					25,000 OHMS	5 Meg.

SWITCH		
A	NO SWITCH	
B	SPST N.O.	
C	DPST N.O.	
D	DPST #1 N.C.	
	#2 N.C.	



NOTE - POWER RATINGS:
TAPER A - 2 WATTS
TAPER C, F - 1 WATT

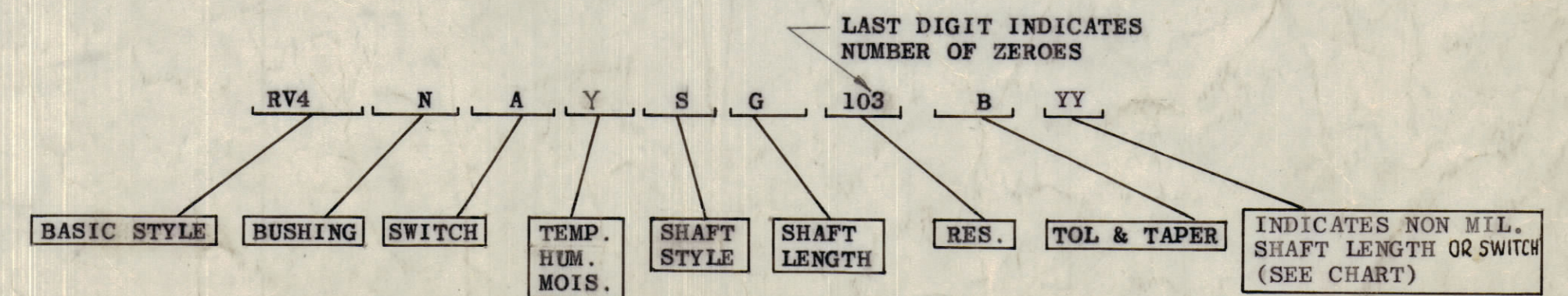
BUSHING STYLE	
N	STANDARD
L	LOCKING

CHAR.	MAX. AMB. OPER. TEMP.	MAX. AMB. TEMP. AT RATED WATT.	MOISTURE-RESISTANCE % CHANGE MAX.	INSULATION RESISTANCE	TEMP.-RESIS. % MAX. CHANGE
Y	120° C.	70° C.	±10	100 MEG OHMS	±6

SPECIFICATIONS:

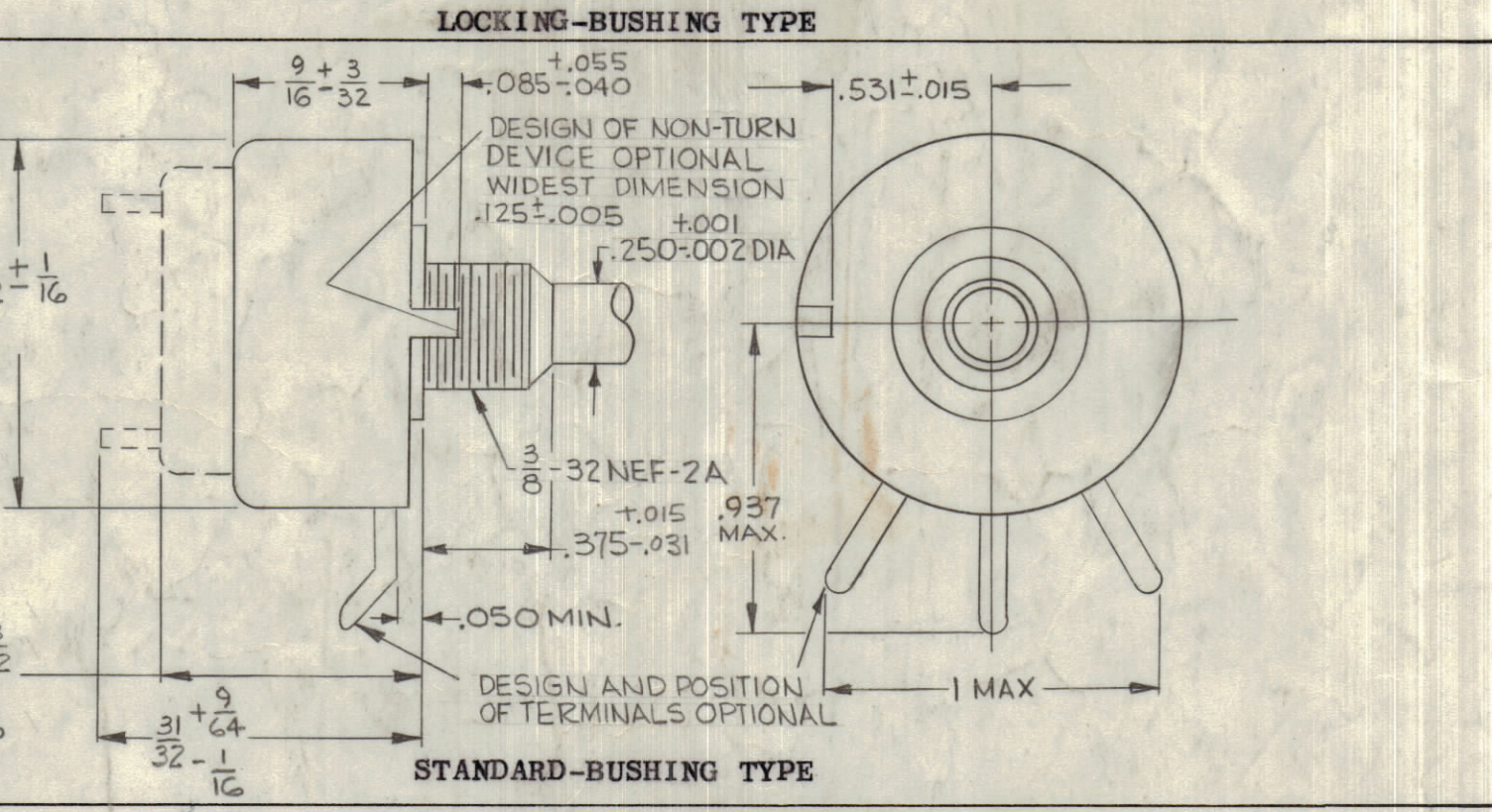
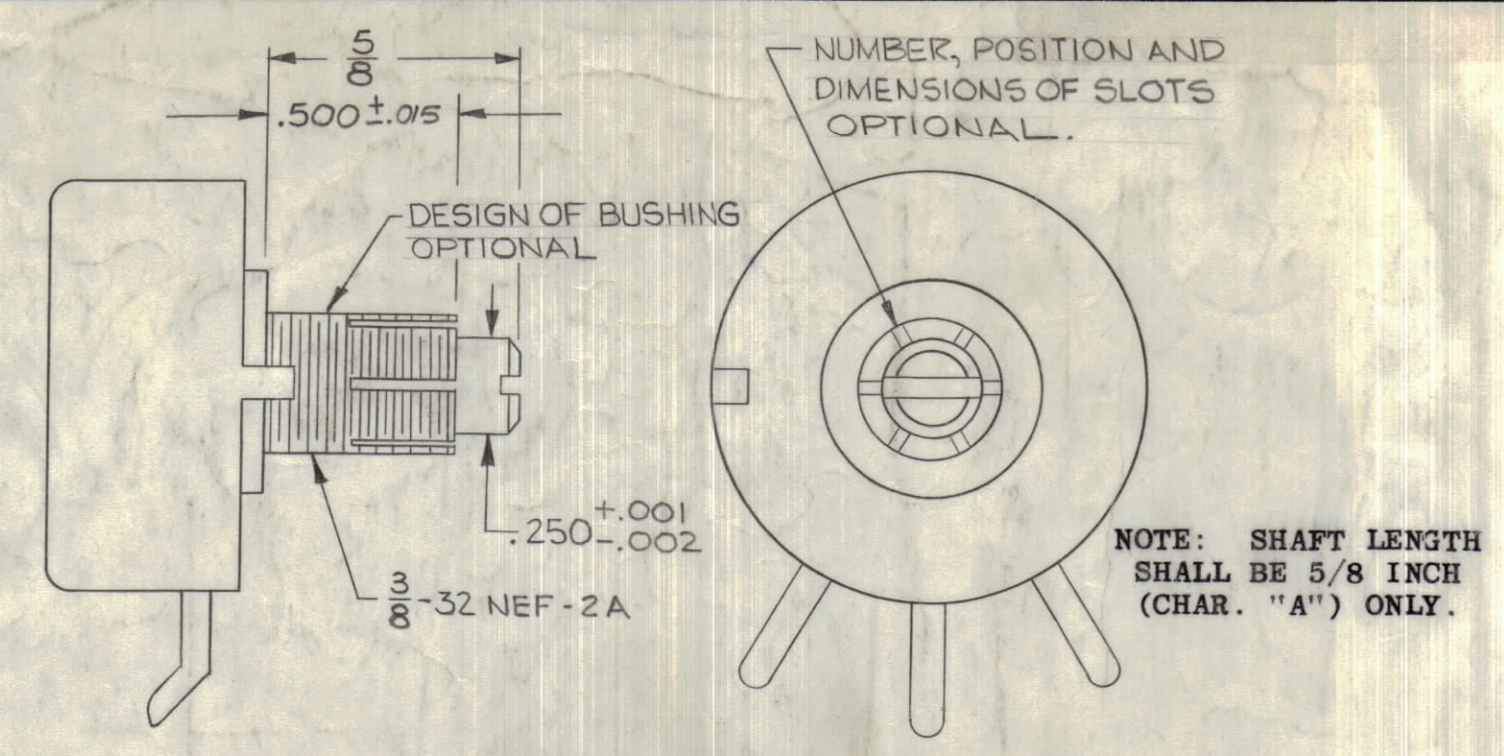
- OPERATING TORQUE - 1 to 6 inch - ounces
- MECHANICAL ROTATION - 330° to 340° with switch
300° to 320° without switch
- MARKING - As per MIL-STD-130.
- SWITCH - Rated at 3.0 amperes at 117VAC.

TMC PART NUMBER SHALL BE IN THE FOLLOWING FORM:

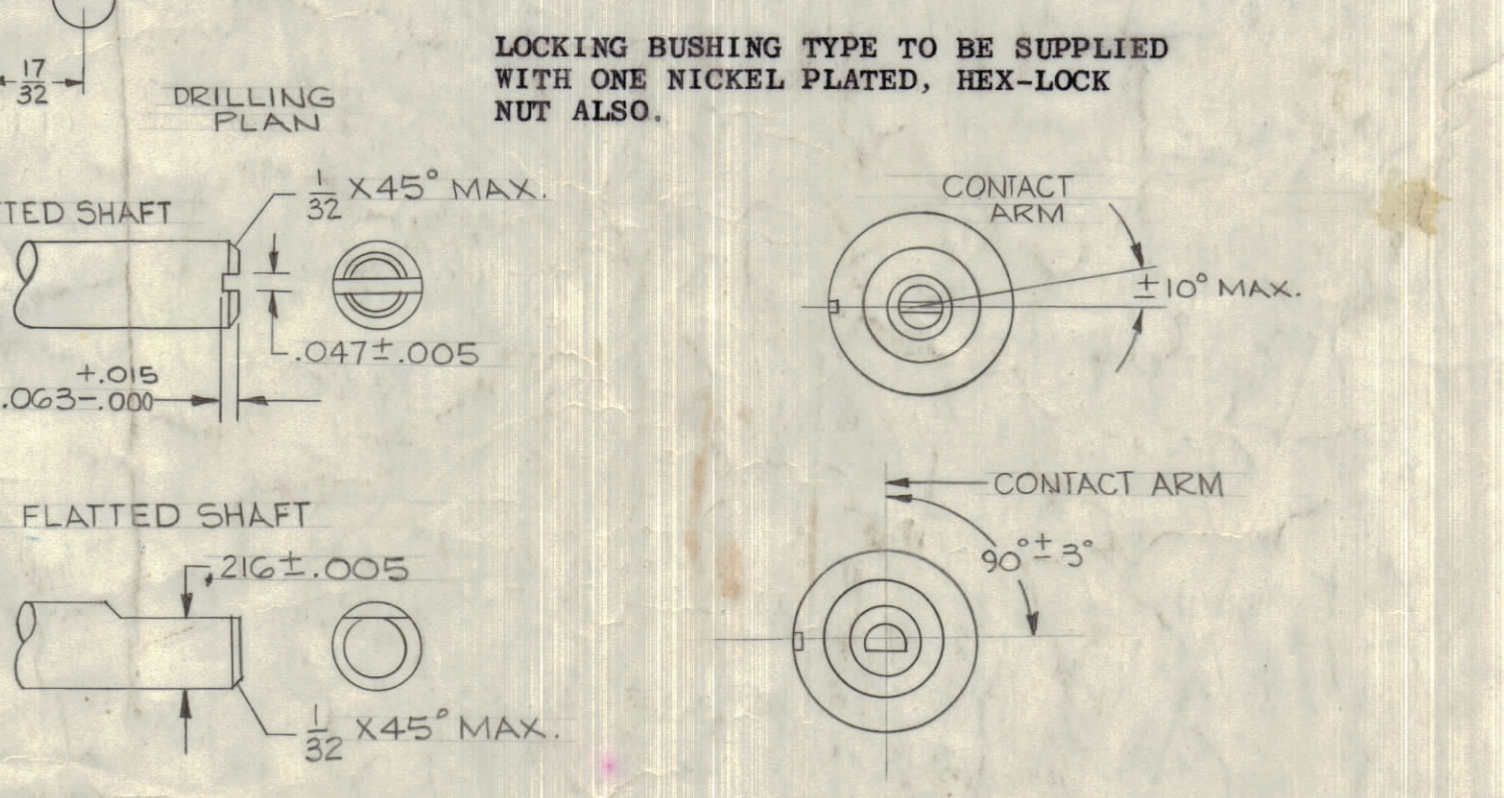


STANDARD DRAWING

REQ'D.	ITEM	P	PART NUMBER	DESCRIPTION	SYMBOL
			J. CAMARDA/R. DEWEY	LIST OF MATERIAL	
MATERIAL			THE TECHNICAL MATERIEL CORP. MAMARONECK, NEW YORK		
FINISH			RESISTOR, VARIABLE, COMPOSITION		
G.T.V. UNIT			SCALE		
MODEL USED ON			NONE		
ASBY. NO.			C		
UNLESS OTHERWISE SPECIFIED DIMENSIONS ARE IN INCHES AND INCLUDE CHEMICALLY APPLIED OR PLATED FINISHES			DRAWN: J. Camarda		
DECIMALS			FRACTIONS		
X ± .05			1/16		
XX ± .01			1/32		
XXX ± .005			1/64		
TOLERANCES			ANGLES		
			± 6° 30'		
ELECT. DES.			MECH. DES.		
DATE			DATE		
RV 4			R		
SHEET 1 OF 1			REV. LTR.		



MOUNTING HARDWARE: LOCKWASHER, LW1371RN AND HEX NUT NTH3732BN16 SUPPLIED BY RESISTOR MFR.



NOTE: BUILT IN ACCORDANCE WITH MIL-R-94, HOWEVER QUALIFICATION TESTING SHALL NOT BE REQUIRED.

IMPORTANT: Wherever possible, type RV4 variable resistors shall be stocked and purchased by the new part number (as identified by an "L" or an "N" immediately following the basic style). Example: RV4ATFB103A shall be stocked and purchased RV4NAYSBB103A.

* TOLERANCE AND TAPER: WHEN A HIGHER RESISTANCE TOL. IS NOT AVAILABLE, A LOWER RESISTANCE TOL. MAYBE SUBSTITUTED (ie. A FOR B, C FOR D, E FOR F)

OLD RV4 TYPE	NEW RV4 TYPE	OLD RV4 TYPE	NEW RV4 TYPE
ATFB	NAYSB	BTFB	NBYSB
ATFD	NAYSD	BTFD	NBYSB
ATFK	NAYSK	BTFK	NBYSK
ATRB	NAYSB	BTRB	NBYSB
ATRD	NAYSD	BTRD	NBYSB
ATRK	NAYSK	BTRK	NBYSK
ATSB	NAYSB	BTSB	NBYSB
ATSD	NAYSD	BTSD	NBYSB
ATSK	NAYSK	BTSK	NBYSK
ATXA	LAYSA	BTXA	LBYSB
AUFB	NAYSB	BUFB	NBYSB
AUFD	NAYSD	BUFD	NBYSB
AUFK	NAYSK	BUFK	NBYSK
AURB	NAYSB	BURB	NBYSB
AURD	NAYSD	BURD	NBYSB
AURK	NAYSK	BURK	NBYSK
AUSB	NAYSB	BUSB	NBYSB
AUSD	NAYSD	BUSD	NBYSB
AUSK	NAYSK	BUSK	NBYSK
AUXA	LAYSA	BUXA	LBYSB

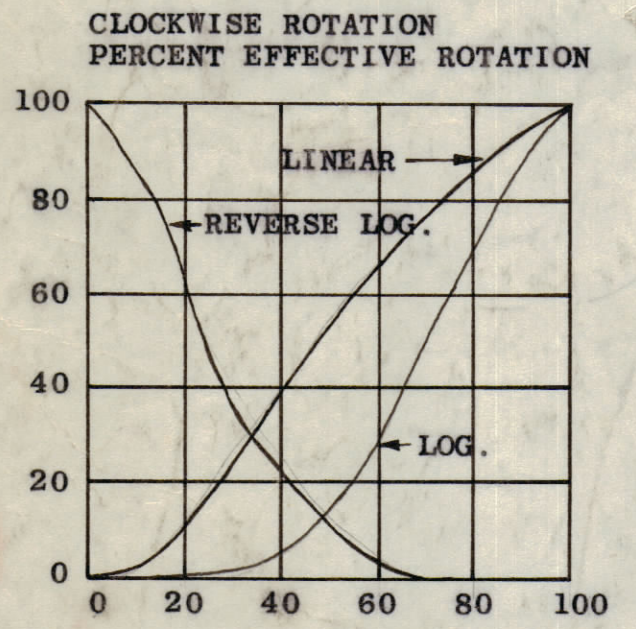
THIS SECTION TO BE USED FOR SPARE PARTS ONLY, NOT TO BE USED ON NEW EQUIPMENT !!

TOLERANCE & TAPER			STYLE OF SHAFT		TOTAL RESISTANCE	
CHAR.	TAPER	TOL.			50 OHMS	35,000 OHMS
A	LINEAR	±10%	F FLATTED		100	35,000 OHMS
B	LINEAR	±20%	R ROUND		150	50,000
C	LOG.	±10%	S SLOTTED		250	75,000
D	LOG.	±20%	X LOCKING-SLOTTED		350	100,000
E	REVERSE LOG.	±10%			500	150,000
F	REVERSE LOG.	±20%			750	250,000
					1,000	350,000
					1,500	500,000
					2,500	750,000
					3,500	1 Meg.
					5,000	1.5 Meg.
					7,500	2.5 Meg.
					10,000	3.5 Meg.
					15,000	5.0 Meg.
					25,000 OHMS	5.0 Meg.

SWITCH		
A	NO SWITCH	
B	SPST N.O.	
C	DPST N.O.	
D	DPST #1 N.C.	
	#2 N.C.	

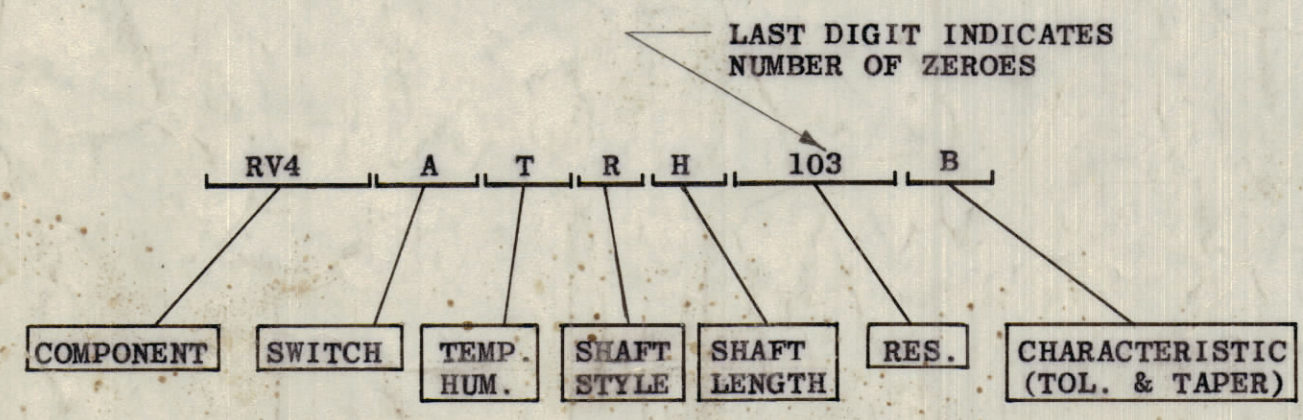
TEM. HUM.	MAX. AMB. TEMP.	% CHG.
T	85°C. 180°F.	±10
U	85°C. 180°F.	±25

SHAFT LENGTH			
CHAR.	ROUND OR FLATTED	SLOTTED	LENGTH OF FLAT
A	-	5/8	-
C	-	3/4	-
D	7/8	7/8	.375 ± .010
E	1	-	.500 ± .010
G	1 1/4	1 1/4	.625 ± .010
H	1 1/2	1 1/2	.625 ± .010
J	2	2	.625 ± .010
K	2 1/2	2 1/2	2.125 ± .010



NOTE - POWER RATINGS:
LINEAR TAPER - 2 WATTS
LOG. TAPER - 1 WATT
REVERSE LOG. TAPER - 1 WATT

TMC PART NUMBER SHALL BE IN THE FOLLOWING FORM:



RV 4 R