

IF IT IS FOUND DESIRABLE TO CHANGE ANY TOLERANCE OR OTHER DETAIL SPECIFIED ON THIS DRAWING NOTIFY THE PURCHASER PROMPTLY.

MAXIMUM ALLOWABLE TOLERANCES HAVE BEEN DETERMINED AND DEVIATIONS WILL BE CAUSE FOR REJECTION. REMOVE ALL BURRS AND SHARP EDGES

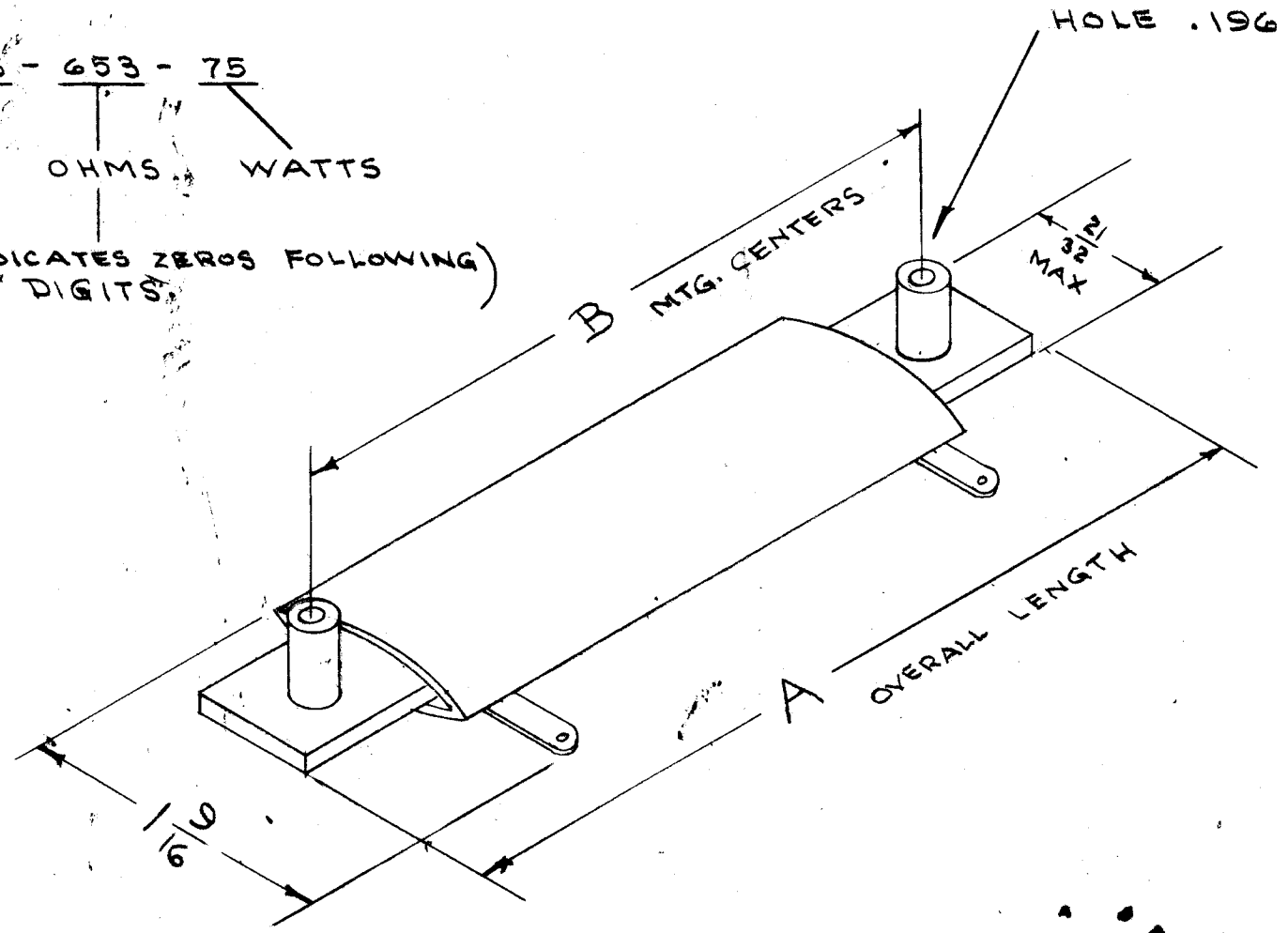
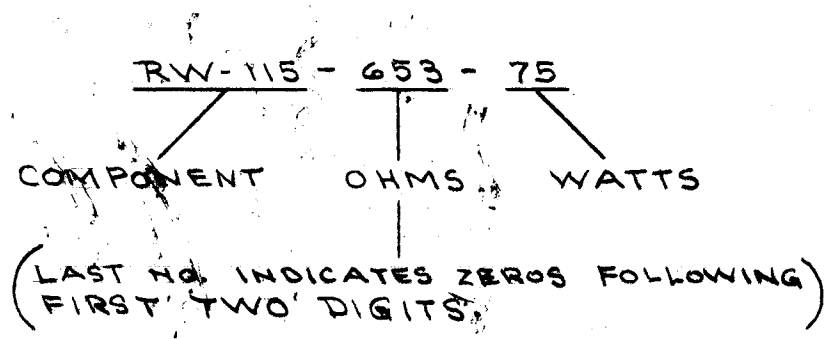
STANDARD DRAWING

RW-115 A

WATTS	A LENGTH O/A	B MOUNTING CENTERS	MTG. BKT. NO.	TERM. NO.
30	2 1/2"	2"	816	235
40	3 1/4"	2 3/4"	816	235
55	4 3/4"	4 1/4"	816	235
65	6"	5 1/2"	816	235
75	7 1/4"	6 3/4"	816	235

OHMS	30 W.	40 W.	55 W.	65 W.	75 W.
1					
3					
5					
10					
15					
25					
50					
100					
150					
200					
250					
400					
500					
750					
1000					
1250					
1500					
2000					
2500					
3000					
3500					
4000					
5000					
7500					
10,000					
15,000					
20,000					
25,000					
30,000					
35,000					
40,000					
50,000					
60,000					
65,000					

EXAMPLE



RESISTANCE TOLERANCE: ± 5%

REF: WARD LEONARD ELEC. CO.

REQ.	ITEM	PART NO.	DESCRIPTION	SYMBOL
			THE TECHNICAL MATERIEL CORP.	
			MAMARONECK. NEW YORK	
			RESISTOR	
			STRIP OHM	
			C.D.D. 12-23-53	
			A. J. T.	
			DRAWN	
			ELEC. DES. APP.	
			CHECKED	
			FINAL APPROVAL	
			RW-115	

ISSUE	ITEM	CHANGED FROM	DATE	CN. NO.	DRAFTS	CHECKER	ENG. APP.
A	1	RESISTANCE TOLERANCE ADDED	6-4-63	0190			

TOLERANCES: DEC. DIM. ±, FRAC. DIM. ±, ANGULAR DIM. ±

SCALE: DRILL, PUNCH, COMMERCIAL STOCK SIZES AND MANUFACTURERS TOLERANCES ARE NOT INCLUDED.

MODEL PROJECT NO. ASSY. NO. DATE USED ON