

STANDARD DRAWING

REQ. PER UNIT

USED ON

MODEL

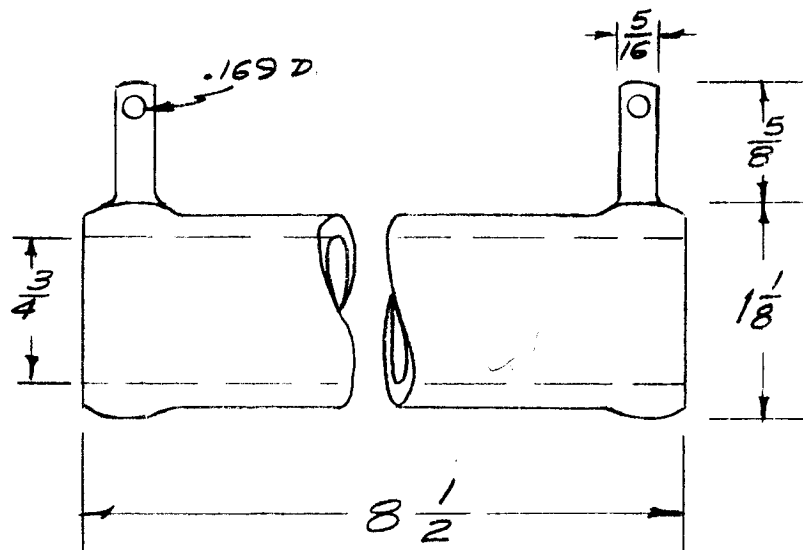
ASS'Y. NO.

DATE

RW-117

B

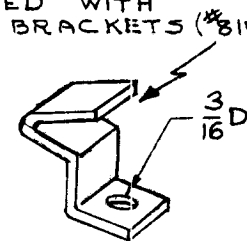
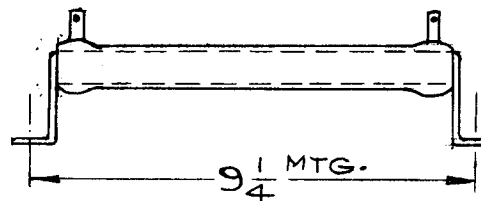
TMC NUMBER	RESISTANCE OHMS	CURRENT M.A.	TMC NUMBER	RESISTANCE OHMS	CURRENT M.A.
RW-117-1	1	12650	RW-117-26	7500	116
RW-117-2	2	8940	RW-117-27	10000	126
RW-117-3	3	7300	RW-117-28	12500	113
RW-117-4	4	6320	RW-117-29	15000	105
RW-117-5	5	5650	RW-117-30	20000	90
RW-117-6	10	4000	RW-117-31	25000	80
RW-117-7	15	3265	RW-117-32	30000	73
RW-117-8	25	2525	RW-117-33	35000	68
RW-117-9	50	1785	RW-117-34	40000	64
RW-117-10	75	1460	RW-117-35	50000	57
RW-117-11	100	1265	RW-117-36	60000	52
RW-117-12	150	1035	RW-117-37	75000	46
RW-117-13	200	894	RW-117-38	80000	45
RW-117-14	250	800	RW-117-39	90000	42
RW-117-15	500	565	RW-117-40	100000	40
RW-117-16	750	460			
RW-117-17	1000	400			
RW-117-18	1500	326			
RW-117-19	2000	280			
RW-117-20	2500	252			
RW-117-21	3000	230			
RW-117-22	3500	215			
RW-117-23	4000	200			
RW-117-24	4500	185			
RW-117-25	5000	178			



Dim. for Ref.

 RESISTANCE TOLERANCE $\pm 5\%$

NOTE - RESISTOR TO BE SUPPLIED WITH TWO LOOSE MOUNTING BRACKETS (#815)



Ref. - WARD LEONARD TYPE 160F

ISSUE	ITEM	CHANGED FROM	DATE	CH. NO.	DRAFTS	CHECKER	ENG. APP.
B	2	NOTE ADDED	6/24	25	Cy	Jde	OB
	1	PICTORIAL OF RESISTOR & BRACKET ADDED	6/30	39			OB
A	1	RESISTANCE TOLERANCE ADDED	11/5/58	1	16	6up	AMB

REQ. ITEM	PART NO.	DESCRIPTION	SYMBOL
		THE TECHNICAL MATERIEL CORP. MAMARONECK. NEW YORK	
	STOCK SIZE	RESISTOR, FIXED, WIRE WOUND	
		160 WATTS	
	MATERIAL		
		16/23/58	
		Jde	APB
		DRAWN	CHECKED
		HEAT TREAT. SPEC.	FINAL APPR VAL
			RW-117
			B
		FINISH & SPEC. NO.	
		APP. MECH. DES. APP.	