

REQ. PER UNIT	USED ON			SA 100	Ø
	MODEL	ASS'Y. NO.	DATE		

SPECIFICATIONS

SERIES: ADAPTER QDL TO QDS
 NO. OF CONTACTS; 1
 TYPE OF CONTACT: QDL MALE TO QDS MALE
 DIELECTRIC: TEFLON

ELECTRICAL DATA

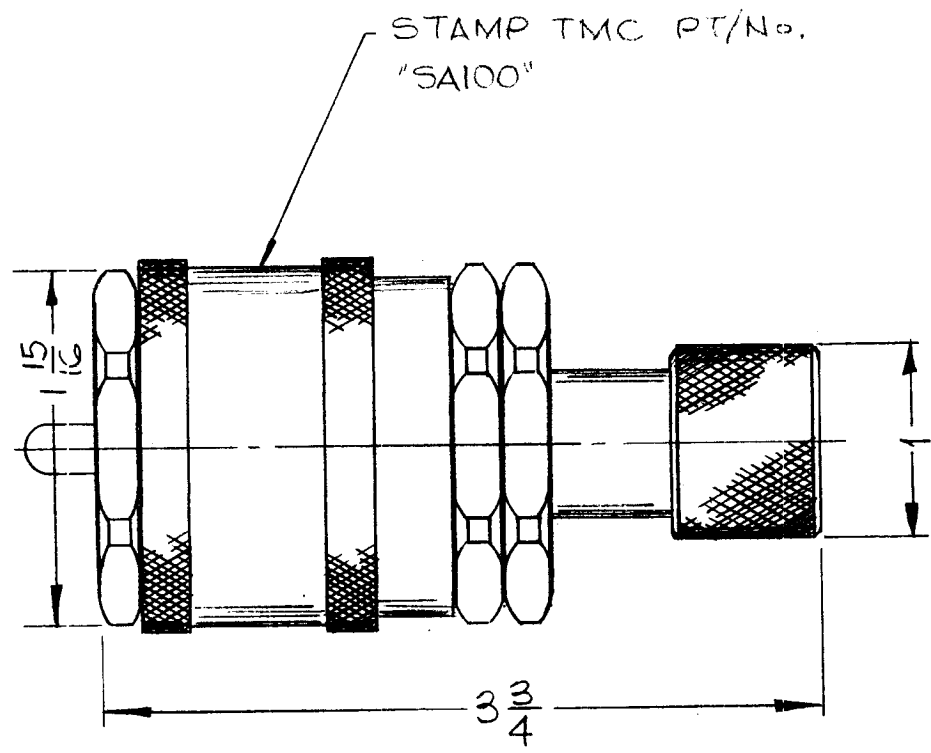
MAX. PEAK OPR. VOLT: 5,000
 FREQ. LIMIT: 10K MHZ
 NOMINAL IMPEDANCE: 50 OHMS

CABLE ACCOMODATIONS:
 TYPE: NONE

MATERIAL:
 EXTERNAL PARTS: BRASS
 CONTACT: BERYLLIUM COPPER
 GASKET: NONE

FINISH:
 EXTERNAL PARTS: SILVER PLATE & RHOD. FLASH
 CONTACT: SILVER PLATE & GOLD FLASH

MATING CONNECTOR:
 QDS FEMALE SERIES:
 QDL FEMALE SERIES:



REQ.	ITEM	PART NO.	MARTINENGO	DESCRIPTION	SYMBOL
		4		THE TECHNICAL MATERIEL CORP. MAMARONECK, NEW YORK	
		STOCK SIZE		ADAPTER	
		SEE SPECS.		QDL TO QDS	
		MATERIAL			
		4	4	3.23.66 H.AUSTIN	
		TYPE & TEMPER	HEAT TREAT. SPEC.	DRAWN	CHECKED
		SEE SPECS.			FINAL APPROVAL
		FINISH & SPEC. NO.	ELEC. DES. APP.	MECH. DES. APP.	SA 100 Ø

Ø	ORIG. RELEASE FOR PROD.	9-11-67	Ø	RG		HL
XI	PT/No. Note added	2.20.67	+	LHD		AM
SYM	DESCRIPTION	DATE	CH. NO.	DRAFTS	CHECKER	ENG. APP.
UNLESS OTHERWISE SPECIFIED DIMENSIONS ARE IN INCHES AND INCLUDE CHEMICALLY APPLIED OR PLATED FINISHES		SCALE 4				
DECIMALS .X ± .015 .XX ± .01 .XXX ± .005	TOLERANCES	FRACTIONS ± 1/64 ANGLES ± 0° 30'	CODE C	S401-70(2378)		