

REQ. PER UNIT	USED ON			SA107	Ø
	MODEL	ASSY. NO.	DATE		

SPECIFICATIONS

SERIES : QDS  
 NO. OF CONTACTS : ONE (1) EACH SIDE  
 TYPE OF CONTACT : FEMALE  
 DIELECTRIC : TEFLON

ELECTRICAL DATA :

MAX. PEAK OPR. VOLT : 5.000  
 FREQ. LIMIT : 10,000 MHZ  
 NOMINAL IMPEDANCE : 50 OHMS

MATERIAL :

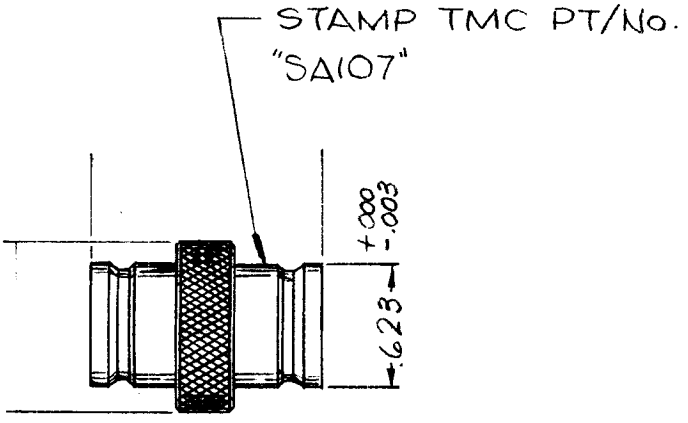
EXTERNAL PARTS : BRASS  
 CONTACT : BERYLLIUM COPPER  
 GASKET : NONE

FINISH :

EXTERNAL PARTS : SILVER PLATE & RHODIUM FLASH  
 CONTACT : SILVER PLATE & GOLD FLASH

MATING CONNECTOR :

QDS MATING SERIES PL149



SYM	DESCRIPTION	DATE	CH. NO.	DRAFTS	CHECKER	ENG. APP.	REQ. ITEM	PART NO.	MARTINENGO DESCRIPTION	SYMBOL			
Ø	ORIGINAL RELEASE	9/26/69							THE TECHNICAL MATERIEL CORP. MAMARONECK. NEW YORK	ADAPTER QDS(F) TO QDS(F)			
X1	STAMP NOTE ADDED SPECS REVISED	2.17.67			WFO			SEE SPECS.					
UNLESS OTHERWISE SPECIFIED DIMENSIONS ARE IN INCHES AND INCLUDE CHEMICALLY APPLIED OR PLATED FINISHES							SCALE						
DECIMALS .X ± .05 .XX ± .01 .XXX ± .005							FRACTIONS ± 1/64 ANGLES ± 0° 30'	CODE C	SA01-70(2270)	3-23-66 HAUSTIN	9/26/69 FINAL APPR VAL		
TOLERANCES									TYPE & TEMPER	HEAT TREAT. SPEC.	DRAWN	CHECKED	
									SEE SPECS.				
									FINISH & SPEC. NO.	ELEC. DES. APP.	MECH. DES. APP.		
												SA107	Ø